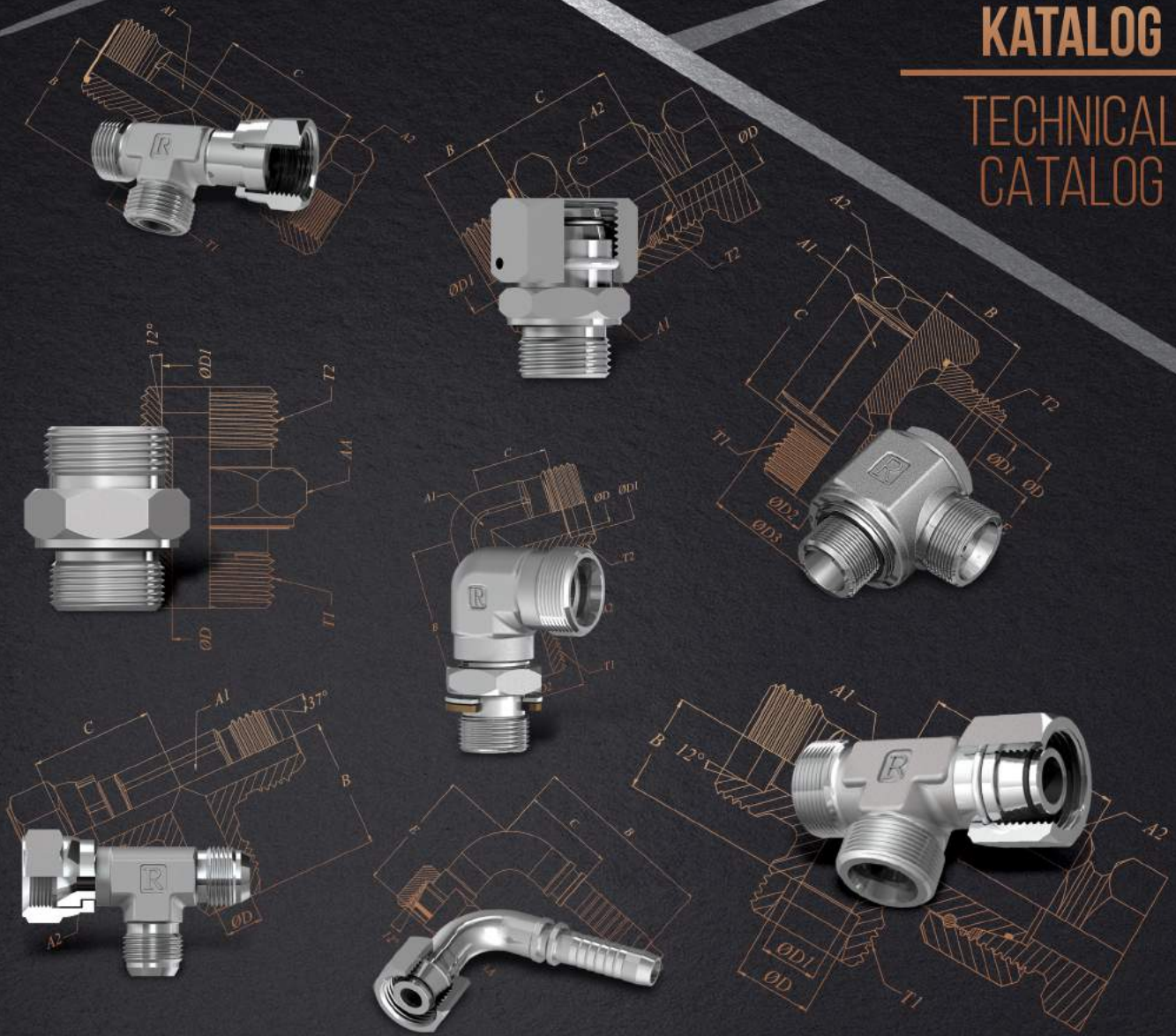


TEKNİK  
KATALOG

TECHNICAL  
CATALOG



**REKORSAN**®

HYDRAULIC FITTING PRODUCTION

[www.rekorsan.com](http://www.rekorsan.com)



**"Kalitemiz standart..."**





TR

## İleri Teknoloji ve Yüksek Kalite detay planlamalarında gizlidir...

1994 yılında kurulan ve bugün itibarıyla geldiği noktada 136 adet ürün grubu ve 2000 çeşit ürünü stoklarında barındıran REKORSAN, Hidrolik bağlantı elemanları konusunda hatırı sayılır bir boyuta gelmiş durumdadır.

REKORSAN toplam 20.000 m2 yeni üretim tesislerine geçmiş ve böylece koşulsuz müşteri memnuniyeti noktasında çok daha etkin bir üretim anlayışını da planlamıştır. Hortum rakorları, T ve dirsek rakorlar başta olmak üzere hemen hemen bütün bağlantı elemanlarını içeren ve dünya standartlarına uygun bir ürün yelpazesine sahip olan REKORSAN, piyasada hissettiği bu alandaki boşluğu da doldurmuş bulunmaktadır. REKORSAN sektöründe ürün yelpazesi en geniş imalatçı firma durumundadır.

Yurt genelinde alanında lider Türkiye'nin önde gelen markalarının bağlantı elemanlarının üretimini de gerçekleştiren REKORSAN oluşturduğu bu kurumsal faaliyetler bütünü içerisinde, kurulduğu günden bu yana ortaya koyduğu değişmez kalite ve güven anlayışını bundan sonra da aynı hassasiyetle sürdürecektir.

Değişmez pazarlama yaklaşımında sadece kaliteli ürün üretmenin yeterli olmadığı düşüncesi ve bilinciyle hareket eden firmamız toplam kalite anlayışı içerisinde üretim planlama ve sevkiyattan, satış sonrası müşteri memnuniyeti hususlarına varıncaya kadar son derece etkin bir yönetim anlayışına sahiptir. Burada müşterimizin REKORSAN'ı tercihi ona bakış açımızı ve hizmet üretim kalitemizi belirlemesi açısından temel çıkış noktamızdır.

**Birlikte Büyük Başarılar ulaşmak ümidiyle.**

EN

## Advanced Technology and High Quality are hidden in the detail planning ...

REKORSAN that was founded in 1994 and that contains 136 product lines and 2000 ranges of product in its stocks reached a considerable dimension in Hydraulic fittings in the position it reached as of today.

REKORSAN has moved to its 20.000 m<sup>2</sup> of new production plant, thus it intended a more efficient understanding of production based on unconditional customer satisfaction. REKORSAN having a product range in compliance with the world standards including almost all the fittings especially hose unions, T and elbow unions, has also filled the gap in this field which it felt the deficient on the market. REKORSAN is the manufacturing company with the largest product range in it sector.

REKORSAN which is the leader throughout the country and which manufactures the fittings for the leading brands of Turkey shall hereafter continue the understanding of constant quality and confidence which has been exhibiting from its founding date, within the whole of the institutional activities it formed with the same sensitivity .

Our company that acts with the thought and consciousness for only producing quality products is not sufficient in the constant marketing approach, has a very effective management understanding from production planning and shipment to the aftersales satisfaction of customer within the understanding of total quality. Here, our client's prefer for REKORSAN is our main starting point in terms of determining our perspective towards him/her and our quality of service production.

**Hoping to achieve great successes together....**



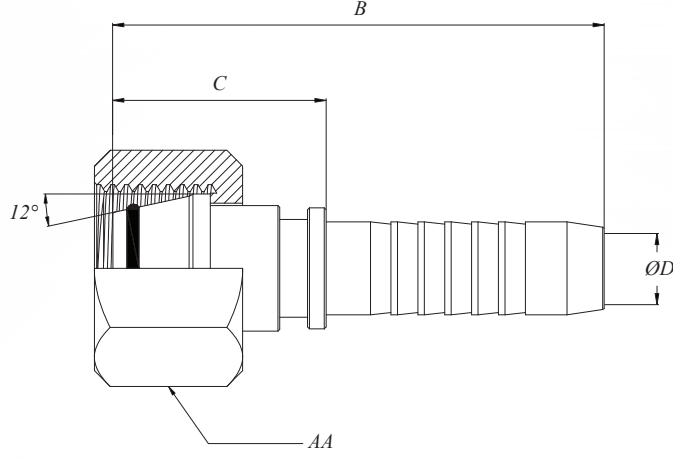
## İÇİNDEKİLER INDEX

<b>METRİK SOMUNLU DÜZ HORTUM RAKORLARI - L TİPİ</b> METRIC FEMALE STRAIGHT SWIVEL HOSE FITTINGS - L TYPE	1
<b>METRİK SOMUNLU DÜZ HORTUM RAKORLARI - S TİPİ</b> METRIC FEMALE STRAIGHT SWIVEL HOSE FITTINGS - S TYPE	2
<b>METRİK SOMUNLU 90° HORTUM RAKORLARI - L TİPİ</b> METRIC FEMALE 90° ELBOW SWIVEL HOSE FITTINGS - L TYPE	3
<b>METRİK SOMUNLU 90° HORTUM RAKORLARI - S TİPİ</b> METRIC FEMALE 90° ELBOW SWIVEL HOSE FITTINGS - S TYPE	4
<b>METRİK SOMUNLU 45° HORTUM RAKORLARI - L TİPİ</b> METRIC FEMALE 45° ELBOW SWIVEL HOSE FITTINGS - L TYPE	5
<b>METRİK SOMUNLU 45° HORTUM RAKORLARI - S TİPİ</b> METRIC FEMALE 45° ELBOW SWIVEL HOSE FITTINGS - S TYPE	6
<b>METRİK ERKEK HORTUM RAKORLARI - L TİPİ</b> METRIC MALE STRAIGHT HOSE FITTINGS - L TYPE	7
<b>METRİK ERKEK HORTUM RAKORLARI - S TİPİ</b> METRIC MALE STRAIGHT HOSE FITTINGS - S TYPE	8
<b>UNF SOMUNLU DÜZ HORTUM RAKORLARI</b> UNF FEMALE STRAIGHT SWIVEL HOSE FITTINGS	9
<b>UNF SOMUNLU 90° HORTUM RAKORLARI</b> UNF FEMALE 90° ELBOW SWIVEL HOSE FITTINGS	10
<b>UNF SOMUNLU 45° HORTUM RAKORLARI</b> UNF FEMALE 45° ELBOW SWIVEL HOSE FITTINGS	11
<b>UNF ERKEK HORTUM RAKORLARI</b> UNF MALE STRAIGHT HOSE FITTINGS	12
<b>BSP SOMUNLU DÜZ HORTUM RAKORLARI</b> BSP FEMALE STRAIGHT SWIVEL HOSE FITTINGS	13
<b>BSP SOMUNLU 90° HORTUM RAKORLARI</b> BSP FEMALE 90° ELBOW SWIVEL HOSE FITTINGS	14
<b>BSP SOMUNLU 45° HORTUM RAKORLARI</b> BSP FEMALE 45° ELBOW SWIVEL HOSE FITTINGS	15
<b>BSP PUL SIKMALI ERKEK HORTUM RAKORLARI</b> BSP MALE STRAIGHT HOSE FITTINGS	16
<b>BSPT ERKEK HORTUM RAKORLARI</b> BSPT MALE STRAIGHT HOSE FITTINGS	17
<b>BSP İÇE HAVŞA SOMUNLU DÜZ HORTUM RAKORLARI</b> BSP FEMALE 30° FLARE STRAIGHT SWIVEL HOSE FITTINGS	18
<b>BSP İÇE HAVŞA SOMUNLU 90° HORTUM RAKORLARI</b> BSP FEMALE 30° FLARE 90° ELBOW SWIVEL HOSE FITTINGS	19
<b>METRİK İÇE HAVŞA DÜZ KOMATSU HORTUM RAKORU</b> KOMATSU HOSE FITTING	20
<b>ORFS SOMUNLU DÜZ HORTUM RAKORU</b> ORFS FEMALE STRAIGHT SWIVEL HOSE FITTING	21
<b>ORFS SOMUNLU 90° HORTUM RAKORU</b> ORFS FEMALE 90° ELBOW SWIVEL HOSE FITTING	22
<b>ORFS SOMUNLU 45° HORTUM RAKORU</b> ORFS FEMALE 45° ELBOW SWIVEL HOSE FITTING	23
<b>ORFS ERKEK HORTUM RAKORU</b> ORFS MALE STRAIGHT HOSE FITTING	24
<b>BORU UÇLU DÜZ HORTUM RAKORU</b> RIGID STANDPIPE HOSE FITTING	25
<b>BORU UÇLU 90° HORTUM RAKORU</b> STANDPIPE 90° ELBOW HOSE FITTING	26
<b>BORU UÇLU 45° HORTUM RAKORU</b> STANDPIPE 45° ELBOW HOSE FITTING	27
<b>HORTUM EKİ</b> DOUBLE CONNECTOR	28

<b>KIRICI HORTUM RAKORLARI</b> FEMALE STRAIGHT SWIVEL HOSE FITTINGS	29
<b>DN4 SOMUNLU DÜZ HORTUM RAKORLARI</b> DN4 HOSE FITTINGS	30
<b>DN4 SOMUNLU 90° HORTUM RAKORLARI</b> DN4 90° ELBOW HOSE FITTINGS	30
<b>FLANŞLI DÜZ HORTUM RAKORU 3000 SERİSİ</b> STRAIGHT FLANGE HOSE FITTING 3000 SERIES	31
<b>FLANŞLI 90° HORTUM RAKORU 3000 SERİSİ</b> 90° ELBOW FLANGE HOSE FITTING 3000 SERIES	32
<b>FLANŞLI 45° HORTUM RAKORU 3000 SERİSİ</b> 45° ELBOW FLANGE HOSE FITTING 3000 SERIES	33
<b>FLANŞLI DÜZ HORTUM RAKORU 6000 SERİSİ</b> STRAIGHT FLANGE HOSE FITTING 6000 SERIES	34
<b>FLANŞLI 90° HORTUM RAKORU 6000 SERİSİ</b> 90° ELBOW FLANGE HOSE FITTING 6000 SERIES	35
<b>FLANŞLI 45° HORTUM RAKORU 6000 SERİSİ</b> 45° ELBOW FLANGE HOSE FITTING 6000 SERIES	36
<b>FLANŞLI DÜZ HORTUM RAKORU 6000 SERİSİ (KALIN TİP)</b> STRAIGHT ELBOW FLANGE HOSE FITTING (THICK TYPE)	37
<b>FLANŞLI 90° HORTUM RAKORU 6000 SERİSİ (KALIN TİP)</b> 90° ELBOW FLANGE HOSE FITTING (THICK TYPE)	38
<b>FLANŞLI 45° HORTUM RAKORU 6000 SERİSİ (KALIN TİP)</b> 45° ELBOW FLANGE HOSE FITTING (THICK TYPE)	39
<b>R1 - R2 ÇELİK SOKETLER</b> R1 - R2 STEEL SOCKETS	40
<b>R9 ÇELİK SOKETLER</b> R9 STEEL SOCKETS	41
<b>FLEXPAK SOKETLER</b> STEEL SOCKETS	41
<b>DN2 - DN4 SOKETLER</b> DN2 - DN4 STEEL SOCKETS	41
<b>PRESLİ HALKA</b> BANJO FITTING	42
<b>SAÇ SOKET SIKMALI HALKA</b> BANJO FITTING	43
<b>POLYEMİD HALKA</b> BANJO FITTING	44
<b>KAYNAKLIK HALKA</b> BANJO FITTING FOR WELDING	45
<b>CİVATA RAKORLARI</b> BANJO BOLTS	46
<b>METRİK KONTRA SOMUNU</b> METRIC LOCK NUT	47
<b>BSP KONTRA SOMUNU</b> BSP LOCK NUT	47
<b>BSP KÖRTAPA</b> BSP EXTERNAL HEX PORT PLUG	48
<b>BSP ERKEK HAVŞALI TAPA</b> BSP 60° CONE PLUG	49
<b>BSP SOMUNLU TAPA</b> BSP SWIVEL CAP	50
<b>BSP PFX ALYANBAŞLI KÖRTAPA</b> BSP INTERNAL HEX PORT PLUG	51
<b>METRİK PFX KÖRTAPA</b> METRIC EXTERNAL HEX PORT PLUG	52
<b>METRİK ERKEK TAPA</b> METRIC BLANKING PLUG FOR TUBE ENDS	53
<b>METRİK SOMUNLU TAPA</b> METRIC PLUG WITH O-RING	54
<b>METRİK PFX ALYANBAŞLI KÖRTAPA</b> METRIC INTERNAL HEX PORT PLUG	55
<b>UNF ERKEK TAPA</b> UNF MALE PLUG	56
<b>UNF KÖRSOMUN</b> UNF CAP	56
<b>ORFS ERKEK TAPA</b> ORFS MALE PLUG	57
<b>ORFS SOMUNLU TAPA</b> ORFS SWIVEL CAP	57
<b>BSP ALTİKÖŞE MAŞON</b> BSP FEMALE THREAD COUPLING	58
<b>BSP ERKEK KAYNAKLIK NİPELİ</b> BSP MALE THREAD WELDING NIPPLE	59
<b>BSP KAYNAKLIK MAŞON</b> BSP FEMALE THREAD COUPLING FOR WELD	59

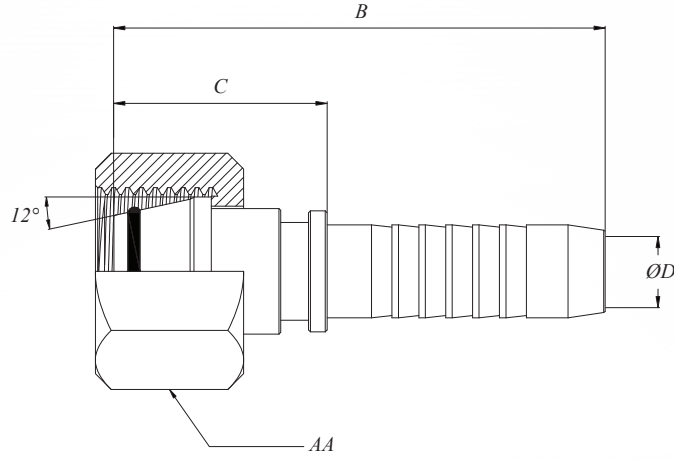
<b>UNF KAYNAKLIK NİPELİ</b> UNF MALE THREAD WELDING NIPPLE	60
<b>METRİK KAYNAKLIK NİPELİ</b> METRIC MALE THREAD WELDING NIPPLE	61
<b>METRİK KAYNAKLIK KUYRUKLU YÜKSÜK</b> METRIC WELD-ON NIPPLE	62
<b>METRİK KAYNAKLIK PERDE GEÇİŞ NİPELİ</b> METRIC WELD-IN BULKHEAD STRAIGHT CONNECTOR	63
<b>METRİK KAYNAKLIK DİRSEK</b> METRIC WELD ELBOW	64
<b>BSP KISA PFX REDİKSİYON</b> BSP THREAD REDUCER	65
<b>BSP UZUN PFX REDİKSİYON</b> BSP THREAD EXPANDER	66
<b>METRİK BORU SOMUNU</b> METRIC TUBE NUT	67
<b>ÇELİK YÜKSÜKLER</b> CUTTING RING	68
<b>BSP METRİK PFX NİPELLER - L TİPİ</b> BSP METRIC NIPPLES WITH ELASTOMERIC SEAL - L TYPE	69
<b>BSP METRİK PFX NİPELLER - S TİPİ</b> BSP METRIC NIPPLES WITH ELASTOMERIC SEAL - S TYPE	70
<b>METRİK BLOK PFX - METRİK 24° HAVŞALI NİPEL</b> MALE METRIC WITH ELASTOMERIC SEAL - METRIC 24° CONE NIPPLE	71
<b>METRİK 24° ARA NİPELİ</b> METRIC 24° STRAIGHT UNION CONNECTOR	72
<b>METRİK ORANTI NİPELİ</b> METRIC STRAIGHT REDUCER	73
<b>METRİK BLOK - UNF NİPEL</b> METRIC - UNF NIPPLE	74
<b>BSP BLOK - UNF NİPEL</b> BSP - UNF NIPPLE	75
<b>UNF ARA NİPELİ</b> UNF STRAIGHT UNION CONNECTOR	76
<b>BSPT - UNF NİPEL</b> BSPT - UNF NIPPLE	77
<b>BSP ARA NİPELİ</b> BSP STRAIGHT UNION CONNECTOR	78
<b>BSP - BSP ORANTI NİPELİ</b> BSP - BSP STRAIGHT REDUCER	79
<b>BSP BLOK - BSP BOMBELİ NİPEL</b> BSP METAL SEAL EDGE - BSP 30° FLARE NIPPLE	80
<b>BSP BOMBELİ - BSP BOMBELİ NİPEL</b> BSP 30° FLARE STRAIGHT UNION CONNECTOR	80
<b>BSP ORFS PFX NİPELLER</b> BSP ORFS NIPPLES WITH ELASTOMERIC SEAL	81
<b>BSP - ORFS TERS NİPEL</b> BSP WITH ELASTOMERIC SEAL - ORFS FEMALE SWIVEL CONNECTOR	82
<b>BSP - METRİK PFX TERS RAKOR - L TİPİ</b> BSP - METRIC SWIVEL CONNECTOR - L TYPE	83
<b>BSP - METRİK PFX TERS RAKOR - S TİPİ</b> BSP - METRIC SWIVEL CONNECTOR - S TYPE	84
<b>METRİK KOR REKORLAR</b> METRIC REDUCING SWIVEL STRAIGHT ADAPTER	85
<b>METRİK SOMUNLU TERS NİPEL</b> METRIC STRAIGHT UNION SWIVEL REDUCER	86
<b>BSP TERS NİPEL</b> BSP STRAIGHT SWIVEL CONNECTOR	87
<b>BSP - UNF TERS NİPEL</b> BSP METAL SEALING - UNF 37° FLARE FEMALE SWIVEL	88
<b>MANOMETRE RAKORLARI</b> PRESSURE GAUGE CONNECTOR	89
<b>MANOMETRE TERS RAKORLARI</b> PRESSURE GAUGE SWIVEL CONNECTOR	90
<b>BSP METRİK 90° KONTRALI DİRSEK - L TİPİ</b> BSP METRIC 90° ADJUSTABLE STUD ELBOW - L TYPE	91
<b>BSP METRİK 90° KONTRALI DİRSEK - S TİPİ</b> BSP METRIC 90° ADJUSTABLE STUD ELBOW - S TYPE	92
<b>BSP - BSP 90° KONTRALI DİRSEK</b> BSP - BSP 90° ADJUSTABLE STUD ELBOW	93
<b>BSP - BSP 45° KONTRALI DİRSEK</b> BSP - BSP 45° ADJUSTABLE STUD ELBOW	94
<b>BSP - UNF 90° KONTRALI DİRSEK</b> BSP - UNF 90° ADJUSTABLE STUD ELBOW	95
<b>BSP - UNF 45° KONTRALI DİRSEK</b> BSP - UNF 45° ADJUSTABLE STUD ELBOW	96

<b>BSP - ORFS 90° KONTRALI DİRSEK</b> BSP - ORFS 90° ADJUSTABLE STUD ELBOW	97
<b>BSP - ORFS 45° KONTRALI DİRSEK</b> BSP - ORFS 45° ADJUSTABLE STUD ELBOW	98
<b>UNF - UNF 90° KONTRALI DİRSEK</b> UNF - UNF 90° ADJUSTABLE STUD ELBOW	99
<b>UNF - UNF 45° KONTRALI DİRSEK</b> UNF - UNF 45° ADJUSTABLE STUD ELBOW	100
<b>UNF - ORFS 90° KONTRALI DİRSEK</b> UNF - ORFS 90° ADJUSTABLE STUD ELBOW	101
<b>UNF - ORFS 45° KONTRALI DİRSEK</b> UNF - ORFS 45° ADJUSTABLE STUD ELBOW	102
<b>METRİK PERDE GEÇİŞ NİPELİ</b> METRIC BULKHEAD UNION CONNECTOR	103
<b>METRİK PERDE GEÇİŞ DİRSEĞİ</b> METRIC BULKHEAD ELBOW	104
<b>METRİK DİRSEKLER</b> METRIC ELBOWS	105
<b>METRİK TERS DİRSEKLER</b> METRIC SWIVEL ELBOWS	106
<b>METRİK TE</b> METRIC TEE	107
<b>METRİK YANBACAK TE</b> METRIC SWIVEL RUN TEE	108
<b>METRİK ORTABACAK TE</b> METRIC SWIVEL BRANCH TEE	109
<b>BSPT - UNF DİRSEKLER</b> BSPT - UNF MALE STUD ELBOW	110
<b>BSPT - METRİK DİRSEKLER - L TİPİ</b> BSPT - METRIC MALE STUD ELBOW - L TYPE	111
<b>BSPT - METRİK DİRSEKLER - S TİPİ</b> BSPT - METRIC MALE STUD ELBOW - S TYPE	112
<b>ORFS DİRSEKLER</b> ORFS ELBOWS	113
<b>ORFS TERS DİRSEKLER</b> ORFS SWIVEL ELBOWS	114
<b>ORFS TE</b> ORFS TEE	115
<b>ORFS YANBACAK TE</b> ORFS SWIVEL RUN TEE	116
<b>ORFS ORTABACAK TE</b> ORFS SWIVEL BRANCH TEE	117
<b>UNF DİRSEKLER</b> UNF ELBOWS	118
<b>UNF TERS DİRSEKLER</b> UNF SWIVEL ELBOWS	119
<b>UNF TE</b> UNF TEE	120
<b>UNF YANBACAK TE</b> UNF SWIVEL RUN TEE	121
<b>UNF ORTABACAK TE</b> UNF SWIVEL BRANCH TEE	122
<b>BSPT - BSP DİRSEKLER</b> BSPT - BSP MALE STUD ELBOW	123
<b>BSPT - BSP TERS DİRSEKLER</b> MALE BSPT THREAD - BSP FEMALE SWIVEL ELBOWS	124
<b>BSP TE</b> BSP TEE	125
<b>BSP YANBACAK TE</b> BSP SWIVEL RUN TEE	126
<b>BSP ORTABACAK TE</b> BSP SWIVEL BRANCH TEE	127
<b>BSP DİŞİ DİRSEKLER</b> BSP FEMALE THREAD ELBOWS	128
<b>BSP DİŞİ TE</b> BSP FEMALE THREAD TEE	129
<b>BSPT - BSP KUYRUKLU DİRSEK</b> BSPT MALE - BSP FEMALE THREAD ELBOW	130
<b>BSP - METRİK DÖNER DİRSEK - L TİPİ</b> BSP - METRIC BANJO ELBOW - L TYPE	131
<b>BSP - METRİK DÖNER DİRSEK - S TİPİ</b> BSP - METRIC BANJO ELBOW - S TYPE	132
<b>BSP - METRİK OPSİYONEL TERS TE</b> BSP FEMALE- METRIC SWIVEL RUN TEE	133
<b>BSP - METRİK OPSİYONEL ERKEK TE</b> BSP FEMALE- MALE METRIC TEE	133
<b>NOTLAR / NOTES</b>	134
	137

**METRİK SOMUNLU DÜZ HORTUM RAKORLARI**  
**METRIC FEMALE STRAIGHT SWIVEL HOSE FITTINGS**

**METRİK SOMUNLU DÜZ HORTUM RAKORLARI**  
**METRIC FEMALE STRAIGHT SWIVEL HOSE FITTINGS**

MALZEME KODU MATERIAL CODE	HORTUM ÖLÇÜSÜ HOSE SIZE		SOMUN ÖLÇÜSÜ NUT SIZE	B	C	ØD	AA
	mm	inch					
<b>L TİPİ / L TYPE</b>							
RK-0506-MSOD-L	05	3/16	M12x1,5 6L	42.5	22	3.2	14
RK-0508-MSOD-L	05	3/16	M14x1,5 8L	41.5	21	3.2	17
RK-0606-MSOD-L	06	1/4	M12x1,5 6L	46	21	4	17
RK-0608-MSOD-L	06	1/4	M14x1,5 8L	46	21.5	4	17
RK-0610-MSOD-L	06	1/4	M16x1,5 10L	47.5	23	4	19
RK-0612-MSOD-L	06	1/4	M18x1,5 12L	48	23.5	4	22
RK-0808-MSOD-L	08	5/16	M14x1,5 8L	48.5	22	5.5	19
RK-0810-MSOD-L	08	5/16	M16x1,5 10L	49.5	23	5.5	19
RK-0812-MSOD-L	08	5/16	M18x1,5 12L	50	23.5	5.5	22
RK-1010-MSOD-L	10	3/8	M16x1,5 10L	52.5	23	7	21
RK-1012-MSOD-L	10	3/8	M18x1,5 12L	53	23.5	7	22
RK-1015-MSOD-L	10	3/8	M22x1,5 15L	56	26.5	7	27
RK-1312-MSOD-L	12	1/2	M18x1,5 12L	59	27	9	22
RK-1315-MSOD-L	12	1/2	M22x1,5 15L	59.5	27.5	9	27
RK-1318-MSOD-L	12	1/2	M26x1,5 18L	57	25	9	32
RK-1618-MSOD-L	16	5/8	M26x1,5 18L	65	26	12	32
RK-1922-MSOD-L	19	3/4	M30x2 22L	72.5	29.5	14	36
RK-1928-MSOD-L	19	3/4	M36x2 28L	73	30	14	41
RK-2528-MSOD-L	25	1"	M36x2 28L	85	30.5	19	41
RK-2535-MSOD-L	25	1"	M45x2 35L	87.5	34	19	50
RK-3235-MSOD-L	32	1"1/4	M45x2 35L	94.5	35	25	50
RK-3242-MSOD-L	32	1"1/4	M52x2 42L	96	36.5	25	60
RK-3842-MSOD-L	38	1"1/2	M52x2 42L	109	37	29	60

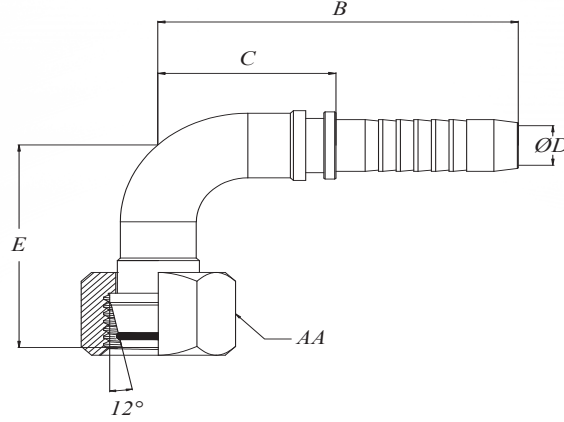
**METRİK SOMUNLU DÜZ HORTUM RAKORLARI**  
**METRIC FEMALE STRAIGHT SWIVEL HOSE FITTINGS**



**METRİK SOMUNLU DÜZ HORTUM RAKORLARI**  
**METRIC FEMALE STRAIGHT SWIVEL HOSE FITTINGS**

MALZEME KODU MATERIAL CODE	HORTUM ÖLÇÜSÜ HOSE SIZE		SOMUN ÖLÇÜSÜ NUT SIZE	B	C	ØD	AA
	mm	inch					
<b>S T İ P İ / S T Y P E</b>							
RK-0506-MSOD-S	05	3/16	M14x1,5 6S	41.5	21	3.2	17
RK-0606-MSOD-S	06	1/4	M14x1,5 6S	46	22	4	17
RK-0608-MSOD-S	06	1/4	M16x1,5 8S	47	23	4	19
RK-0610-MSOD-S	06	1/4	M18x1,5 10S	47.5	23	4	22
RK-0808-MSOD-S	08	5/16	M16x1,5 8S	49	22.5	5.5	19
RK-0810-MSOD-S	08	5/16	M18x1,5 10S	50	23.5	5.5	22
RK-0812-MSOD-S	08	5/16	M20x1,5 12S	50	23.5	5.5	24
RK-1010-MSOD-S	10	3/8	M18x1,5 10S	52.5	23	7	22
RK-1012-MSOD-S	10	3/8	M20x1,5 12S	53.5	24	7	24
RK-1016-MSOD-S	10	3/8	M24x1,5 16S	56.5	27	7	30
RK-1312-MSOD-S	12	1/2	M20x1,5 12S	57.5	25.5	9	24
RK-1316-MSOD-S	12	1/2	M24x1,5 16S	60	28	9	30
RK-1616-MSOD-S	16	5/8	M24x1,5 16S	70	30	12	30
RK-1620-MSOD-S	16	5/8	M30x2 20S	71.5	32.5	12	36
RK-1920-MSOD-S	19	3/4	M30x2 20S	76	33	14	36
RK-1925-MSOD-S	19	3/4	M36x2 25S	75	32	14	46
RK-2525-MSOD-S	25	1"	M36x2 25S	86	32.5	19	46
RK-2530-MSOD-S	25	1"	M42x2 30S	93.5	35	19	50
RK-3230-MSOD-S	32	1"1/4	M42x2 30S	101	41.5	24	50
RK-3238-MSOD-S	32	1"1/4	M52x2 38S	97.5	38	25	60
RK-3838-MSOD-S	38	1"1/2	M52x2 38S	110.5	38.5	29	60

**METRİK SOMUNLU 90° HORTUM RAKORLARI**  
**METRIC FEMALE 90° ELBOW SWIVEL HOSE FITTINGS**

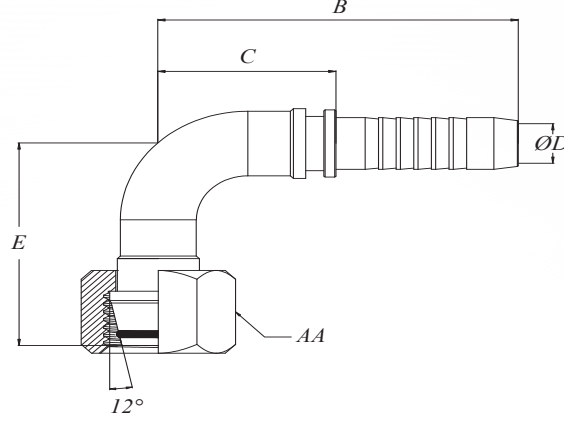


**METRİK SOMUNLU 90° HORTUM RAKORLARI**  
**METRIC FEMALE 90° ELBOW SWIVEL HOSE FITTINGS**

MALZEME KODU MATERIAL CODE	HORTUM ÖLÇÜSÜ HOSE SIZE		SOMUN ÖLÇÜSÜ NUT SIZE	B	C	E	ØD	AA	
	mm	inch							
<b>L TİPİ / L TYPE</b>									
RK-0506-MSO90-L	05	3/16	M12x1,5 6L	45	25	31	3.2	14	
RK-0508-MSO90-L	05	3/16	M14x1,5 8L	45	25	31	3.2	17	
RK-0606-MSO90-L	06	1/4	M12x1,5 6L	50	25	33	4	17	
RK-0608-MSO90-L	06	1/4	M14x1,5 8L	50	25	32	4	17	
RK-0610-MSO90-L	06	1/4	M16x1,5 10L	50	25	32	4	19	
RK-0612-MSO90-L	06	1/4	M18x1,5 12L	50	25	33	4	22	
RK-0808-MSO90-L	08	5/16	M14x1,5 8L	55	28	35.5	5.5	19	
RK-0810-MSO90-L	08	5/16	M16x1,5 10L	55	28	33	5.5	19	
RK-0812-MSO90-L	08	5/16	M18x1,5 12L	55	28	33.5	5.5	22	
RK-1010-MSO90-L	10	3/8	M16x1,5 10L	61.5	32.5	38	7	21	
RK-1012-MSO90-L	10	3/8	M18x1,5 12L	61.5	32.5	35	7	22	
RK-1015-MSO90-L	10	3/8	M22x1,5 15L	61.5	32.5	36	7	27	
RK-1312-MSO90-L	12	1/2	M18x1,5 12L	69.5	37.5	43	9	22	
RK-1315-MSO90-L	12	1/2	M22x1,5 15L	69.5	37.5	42	9	27	
RK-1618-MSO90-L	16	5/8	M26x1,5 18L	84	45	47	12	32	
RK-1922-MSO90-L	19	3/4	M30x2 22L	100	57	53	14	36	
RK-1928-MSO90-L	19	3/4	M36x2 28L	100	57	56	14	41	
RK-2528-MSO90-L	25	1"	M36x2 28L	122	69	70	19	41	
RK-2535-MSO90-L	25	1"	M45x2 35L	122	69	78	19	50	
RK-3235-MSO90-L	32	1"1/4	M45x2 35L	140	80	80	25	50	
RK-3242-MSO90-L	32	1"1/4	M52x2 42L	140	80	82	25	60	
RK-3842-MSO90-L	38	1"1/2	M52x2 42L	175	105	90	29	60	



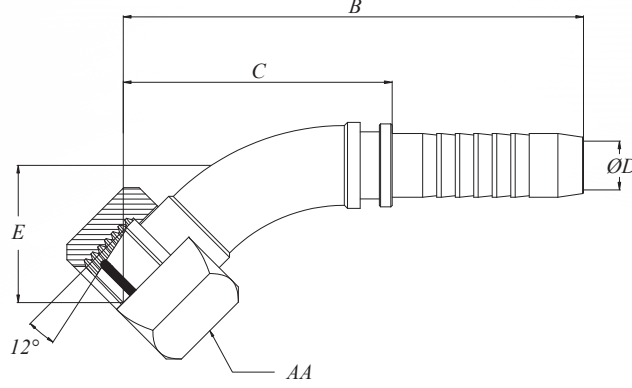
**METRİK SOMUNLU 90° HORTUM RAKORLARI**  
METRIC FEMALE 90° ELBOW SWIVEL HOSE FITTINGS



**METRİK SOMUNLU 90° HORTUM RAKORLARI**  
METRIC FEMALE 90° ELBOW SWIVEL HOSE FITTINGS

MALZEME KODU MATERIAL CODE	HORTUM ÖLÇÜSÜ HOSE SIZE		SOMUN ÖLÇÜSÜ NUT SIZE	B	C	E	ØD	AA
	mm	inch						
<b>STİPİ / S TYPE</b>								
RK-0506-MSO90-S	05	3/16	M14x1,5 6S	45	25	31	3.2	17
RK-0606-MSO90-S	06	1/4	M14x1,5 6S	50	25	32	4	17
RK-0608-MSO90-S	06	1/4	M16x1,5 8S	50	25	32	4	19
RK-0610-MSO90-S	06	1/4	M18x1,5 10S	50	25	33	4	22
RK-0808-MSO90-S	08	5/16	M16x1,5 8S	55	28	33	5.5	19
RK-0810-MSO90-S	08	5/16	M18x1,5 10S	55	28	34	5.5	22
RK-0812-MSO90-S	08	5/16	M20x1,5 12S	55	28	35	5.5	24
RK-1010-MSO90-S	10	3/8	M18x1,5 10S	61.5	32.5	36	7	22
RK-1012-MSO90-S	10	3/8	M20x1,5 12S	61.5	32.5	37	7	24
RK-1016-MSO90-S	10	3/8	M24x1,5 16S	61.5	32.5	38	7	30
RK-1312-MSO90-S	12	1/2	M20x1,5 12S	69.5	37.5	43.5	9	24
RK-1316-MSO90-S	12	1/2	M24x1,5 16S	69.5	37.5	41	9	30
RK-1616-MSO90-S	16	5/8	M24x1,5 16S	84	45	52	12	30
RK-1620-MSO90-S	16	5/8	M30x2 20S	84	45	50	12	36
RK-1920-MSO90-S	19	3/4	M30x2 20S	100	57	57	14	36
RK-1925-MSO90-S	19	3/4	M36x2 25S	100	57	57	14	46
RK-2525-MSO90-S	25	1"	M36x2 25S	122	69	64	19	46
RK-2530-MSO90-S	25	1"	M42x2 30S	130	71	64	19	50
RK-3230-MSO90-S	32	1"1/4	M42x2 30S	140	80	84	24	50
RK-3238-MSO90-S	32	1"1/4	M52x2 38S	140	80	85	25	60
RK-3838-MSO90-S	38	1"1/2	M52x2 38S	175	105	90	29	60

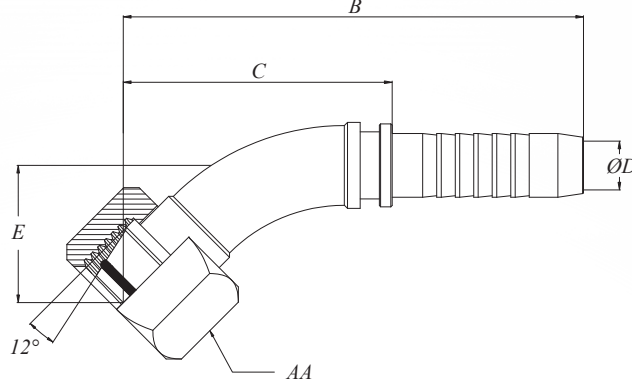
**METRİK SOMUNLU 45° HORTUM RAKORLARI**  
**METRIC FEMALE 45° ELBOW SWIVEL HOSE FITTINGS**



**METRİK SOMUNLU 45° HORTUM RAKORLARI**  
**METRIC FEMALE 45° ELBOW SWIVEL HOSE FITTINGS**

MALZEME KODU MATERIAL CODE	HORTUM ÖLÇÜSÜ HOSE SIZE		SOMUN ÖLÇÜSÜ NUT SIZE	B	C	E	ØD	AA	
	mm	inch							
<b>L TİPİ / L TYPE</b>									
RK-0506-MSO45-L	05	3/16	M12x1,5 6L	53	33	13	3.2	14	
RK-0508-MSO45-L	05	3/16	M14x1,5 8L	60	40	15	3.2	17	
RK-0606-MSO45-L	06	1/4	M12x1,5 6L	65	40	15	4	17	
RK-0608-MSO45-L	06	1/4	M14x1,5 8L	62	37	15	4	17	
RK-0610-MSO45-L	06	1/4	M16x1,5 10L	64	39	17	4	19	
RK-0612-MSO45-L	06	1/4	M18x1,5 12L	64	39	19	4	22	
RK-0808-MSO45-L	08	5/16	M14x1,5 8L	69	42	19	5.5	19	
RK-0810-MSO45-L	08	5/16	M16x1,5 10L	65	38	17	5.5	19	
RK-0812-MSO45-L	08	5/16	M18x1,5 12L	67	40	18	5.5	22	
RK-1010-MSO45-L	10	3/8	M16x1,5 10L	77	47	20	7	21	
RK-1012-MSO45-L	10	3/8	M18x1,5 12L	74	44	20	7	22	
RK-1015-MSO45-L	10	3/8	M22x1,5 15L	78	48	21	7	27	
RK-1312-MSO45-L	12	1/2	M18x1,5 12L	87	54	21	9	22	
RK-1315-MSO45-L	12	1/2	M22x1,5 15L	84	51	22	9	27	
RK-1618-MSO45-L	16	5/8	M26x1,5 18L	96	57	25	12	32	
RK-1922-MSO45-L	19	3/4	M30x2 22L	106	63	26	14	36	
RK-1928-MSO45-L	19	3/4	M36x2 28L	110	67	30	14	41	
RK-2528-MSO45-L	25	1"	M36x2 28L	137	84	35	19	41	
RK-2535-MSO45-L	25	1"	M45x2 35L	150	97	44	19	50	
RK-3235-MSO45-L	32	1"1/4	M45x2 35L	170	110	35	25	50	
RK-3242-MSO45-L	32	1"1/4	M52x2 42L	165	105	40	25	60	
RK-3842-MSO45-L	38	1"1/2	M52x2 42L	185	113	48	29	60	

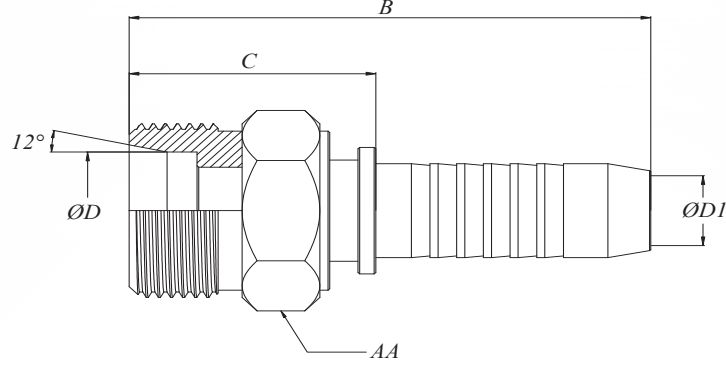
**METRİK SOMUNLU 45° HORTUM RAKORLARI**  
METRIC FEMALE 45° ELBOW SWIVEL HOSE FITTINGS



**METRİK SOMUNLU 45° HORTUM RAKORLARI**  
METRIC FEMALE 45° ELBOW SWIVEL HOSE FITTINGS

MALZEME KODU MATERIAL CODE	HORTUM ÖLÇÜSÜ HOSE SIZE		SOMUN ÖLÇÜSÜ NUT SIZE	B	C	E	ØD	AA
	mm	inch						
<b>STİPİ / S TYPE</b>								
RK-0610-MSO45-S	06	1/4	M18x1,5 10S	67	43	20	4	22
RK-1012-MSO45-S	10	3/8	M20x1,5 12S	76	47	21	7	24
RK-1016-MSO45-S	10	3/8	M24x1,5 16S	78	49	23	7	30
RK-1312-MSO45-S	12	1/2	M20x1,5 12S	87	54	21	9	24
RK-1316-MSO45-S	12	1/2	M24x1,5 16S	85	52	22	9	30
RK-1616-MSO45-S	16	5/8	M24x1,5 16S	103	63	26	12	30
RK-1620-MSO45-S	16	5/8	M30x2 20S	105	65	28	12	36
RK-1920-MSO45-S	19	3/4	M30x2 20S	110	67	31	14	36
RK-1925-MSO45-S	19	3/4	M36x2 25S	123	80	34	14	46
RK-2525-MSO45-S	25	1"	M36x2 25S	138	85	32	19	46
RK-2530-MSO45-S	25	1"	M42x2 30S	148	95	42	19	50
RK-3230-MSO45-S	32	1"1/4	M42x2 30S	175	115	46	24	50
RK-3238-MSO45-S	32	1"1/4	M52x2 38S	165	105	40	25	60
RK-3838-MSO45-S	38	1"1/2	M52x2 38S	185	113	50	29	60

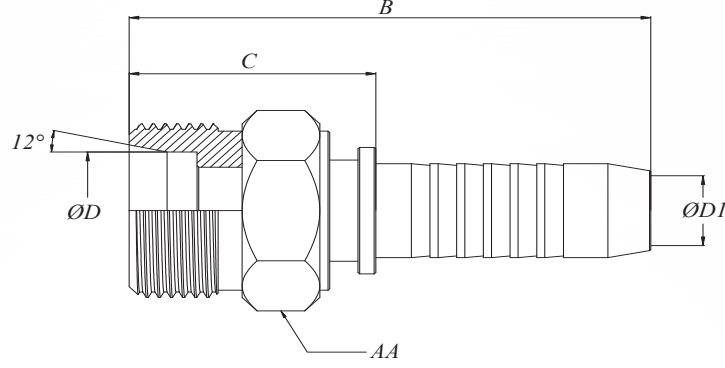
**METRİK ERKEK HORTUM RAKORLARI**  
METRIC MALE STRAIGHT HOSE FITTINGS



**METRİK ERKEK HORTUM RAKORLARI**  
METRIC MALE STRAIGHT HOSE FITTINGS

MALZEME KODU MATERIAL CODE	HORTUM ÖLÇÜSÜ HOSE SIZE		DIŞ ÖLÇÜSÜ THREAD SIZE	B	C	ØD	ØD1	AA	
	mm	inch							
<b>L TİPİ / L TYPE</b>									
RK-0506-ME-L	05	3/16	M12x1,5 6L	41,5	20,5	6	3,2	12	
RK-0508-ME-L	05	3/16	M14x1,5 8L	42	21	8	3,2	14	
RK-0606-ME-L	06	1/4	M12x1,5 6L	46	21	6	4	12	
RK-0608-ME-L	06	1/4	M14x1,5 8L	46,5	21,5	8	4	14	
RK-0610-ME-L	06	1/4	M16x1,5 10L	48	23	10	4	17	
RK-0612-ME-L	06	1/4	M18x1,5 12L	50	25	12	4	19	
RK-0808-ME-L	08	5/16	M14x1,5 8L	48,5	21,5	8	5,5	14	
RK-0810-ME-L	08	5/16	M16x1,5 10L	50	23	10	5,5	17	
RK-0812-ME-L	08	5/16	M18x1,5 12L	51	24	12	5,5	19	
RK-1010-ME-L	10	3/8	M16x1,5 10L	53	23	10	7	17	
RK-1012-ME-L	10	3/8	M18x1,5 12L	54	24	12	7	19	
RK-1015-ME-L	10	3/8	M22x1,5 15L	57	27	15	7	22	
RK-1312-ME-L	12	1/2	M18x1,5 12L	57,5	24,5	12	9	19	
RK-1315-ME-L	12	1/2	M22x1,5 15L	60,5	27,5	15	9	22	
RK-1618-ME-L	16	5/8	M26x1,5 18L	69	29	18	12	27	
RK-1622-ME-L	16	5/8	M30x2 22L	72	32	22	12	32	
RK-1922-ME-L	19	3/4	M30x2 22L	76,5	32	22	14	32	
RK-2528-ME-L	25	1"	M36x2 28L	88	34	28	19	36	
RK-2535-ME-L	25	1"	M45x2 35L	94	40	35	19	46	
RK-3235-ME-L	32	1"1/4	M45x2 35L	101	42	35	25	46	
RK-3842-ME-L	38	1"1/2	M52x2 42L	112	40	42	29	55	

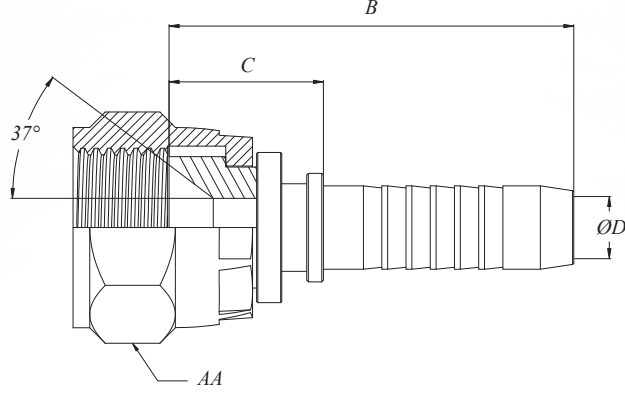
**METRİK ERKEK HORTUM RAKORLARI**  
METRIC MALE STRAIGHT HOSE FITTINGS



**METRİK ERKEK HORTUM RAKORLARI**  
METRIC MALE STRAIGHT HOSE FITTINGS

MALZEME KODU MATERIAL CODE	HORTUM ÖLÇÜSÜ HOSE SIZE		DIŞ ÖLÇÜSÜ THREAD SIZE	B	C	ØD	ØD1	AA
	mm	inch						
<b>S TİPİ / S TYPE</b>								
RK-0812-ME-S	08	5/16	M20x1,5 12S	53.5	26.5	12	5.5	22
RK-1012-ME-S	10	3/8	M20x1,5 12S	56	26	12	7	22
RK-1016-ME-S	10	3/8	M24x1,5 16S	59.5	29.5	16	7	24
RK-1316-ME-S	12	1/2	M24x1,5 16S	63	30	16	9	24
RK-1616-ME-S	16	5/8	M24x1,5 16S	71	31	16	12	24
RK-1620-ME-S	16	5/8	M30x2 20S	74.5	34.5	20	12	32
RK-1920-ME-S	19	3/4	M30x2 20S	79	35	20	14	32
RK-1925-ME-S	19	3/4	M36x2 25S	81.5	37.5	25	14	36
RK-2525-ME-S	25	1"	M36x2 25S	92.5	38.5	25	19	36
RK-2530-ME-S	25	1"	M42x2 30S	97.5	43.5	30	19	46
RK-3230-ME-S	32	1"1/4	M42x2 30S	104.5	45	30	25	46
RK-3238-ME-S	32	1"1/4	M52x2 38S	108	49	38	25	55
RK-3838-ME-S	38	1"1/2	M52x2 38S	121	49	38	29	55

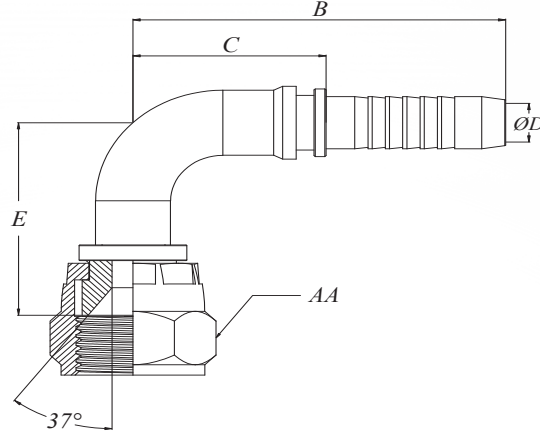
**UNF SOMUNLU DÜZ HORTUM RAKORLARI**  
UNF FEMALE STRAIGHT SWIVEL HOSE FITTINGS



**UNF SOMUNLU DÜZ HORTUM RAKORLARI**  
UNF FEMALE STRAIGHT SWIVEL HOSE FITTINGS

MALZEME KODU MATERIAL CODE	HORTUM ÖLÇÜSÜ HOSE SIZE		SOMUN ÖLÇÜSÜ NUT SIZE	B	C	ØD	AA
	mm	inch					
RK-0511-WSD	05	3/16	7/16-20	35	14	3.2	16
RK-0611-WSD	06	1/4	7/16-20	39.5	14.5	4	16
RK-0612-WSD	06	1/4	1/2-20	40	15	4	17
RK-0614-WSD	06	1/4	9/16-18	41.5	16.5	4	19
RK-0812-WSD	08	5/16	1/2-20	42	15	5.5	17
RK-0814-WSD	08	5/16	9/16-18	43.5	16.5	5.5	19
RK-0816-WSD	08	5/16	5/8-18	44	17	5.5	21
RK-0819-WSD	08	5/16	3/4-16	46.5	19.5	5.5	24
RK-1014-WSD	10	3/8	9/16-18	46.5	16.5	7	19
RK-1016-WSD	10	3/8	5/8-18	47	17	7	21
RK-1019-WSD	10	3/8	3/4-16	49.5	19.5	7	24
RK-1022-WSD	10	3/8	7/8-14	50.5	20.5	7	27
RK-1319-WSD	12	1/2	3/4-16	53	20	9	24
RK-1322-WSD	12	1/2	7/8-14	54	21	9	27
RK-1622-WSD	16	5/8	7/8-14	62	22	12	27
RK-1627-WSD	16	5/8	1"1/16-12	65.5	25.5	12	32
RK-1927-WSD	19	3/4	1"1/16-12	70	26	14	32
RK-1933-WSD	19	3/4	1"5/16-12	73	29	14	41
RK-2533-WSD	25	1"	1"5/16-12	84	30	19	41
RK-3241-WSD	32	1"1/4	1"5/8-12	94.5	35	25	50
RK-3847-WSD	38	1"1/2	1"7/8-12	107.5	35.5	29	55
RK-5063-WSD	50	2"	2"1/2-12	98	38	42	75

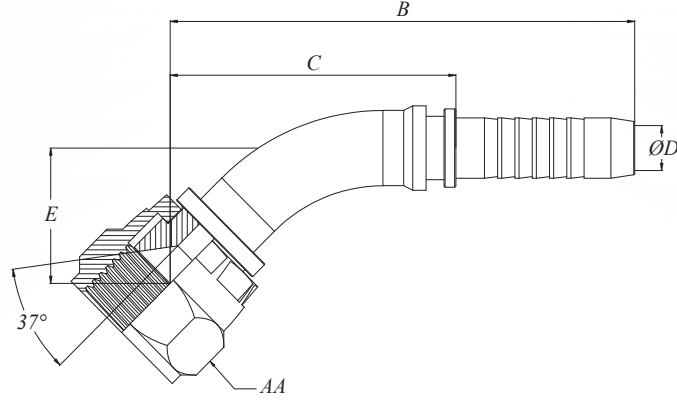
**UNF SOMUNLU 90° HORTUM RAKORLARI**  
UNF FEMALE 90° ELBOW SWIVEL HOSE FITTINGS



**UNF SOMUNLU 90° HORTUM RAKORLARI**  
UNF FEMALE 90° ELBOW SWIVEL HOSE FITTINGS

MALZEME KODU MATERIAL CODE	HORTUM ÖLÇÜSÜ HOSE SIZE		SOMUN ÖLÇÜSÜ NUT SIZE	B	C	E	ØD	AA
	mm	inch						
RK-0511-WS90	05	3/16	7/16-20	45	25	23	3.2	16
RK-0611-WS90	06	1/4	7/16-20	50	25	26	4	16
RK-0612-WS90	06	1/4	1/2-20	50	25	28	4	17
RK-0614-WS90	06	1/4	9/16-18	50	25	28	4	19
RK-0812-WS90	08	5/16	1/2-20	55	28	29	5.5	17
RK-0814-WS90	08	5/16	9/16-18	55	28	30	5.5	19
RK-0816-WS90	08	5/16	5/8-18	55	28	30	5.5	21
RK-0819-WS90	08	5/16	3/4-16	55	28	31	5.5	24
RK-1014-WS90	10	3/8	9/16-18	61.5	32.5	32	7	19
RK-1016-WS90	10	3/8	5/8-18	61.5	32.5	32	7	21
RK-1019-WS90	10	3/8	3/4-16	61.5	32.5	33	7	24
RK-1022-WS90	10	3/8	7/8-14	61.5	32.5	35	7	27
RK-1319-WS90	12	1/2	3/4-16	69.5	37.5	36	9	24
RK-1322-WS90	12	1/2	7/8-14	69.5	37.5	37	9	27
RK-1622-WS90	16	5/8	7/8-14	84	45	45	12	27
RK-1627-WS90	16	5/8	1"1/16-12	84	45	48	12	32
RK-1927-WS90	19	3/4	1"1/16-12	100	57	53	14	32
RK-2533-WS90	25	1"	1"5/16-12	129	76	62	19	41
RK-3241-WS90	32	1"1/4	1"5/8-12	140	80	85	25	50
RK-3847-WS90	38	1"1/2	1"7/8-12	175	105	101	29	55

**UNF SOMUNLU 45° HORTUM RAKORLARI**  
UNF FEMALE 45° ELBOW SWIVEL HOSE FITTINGS

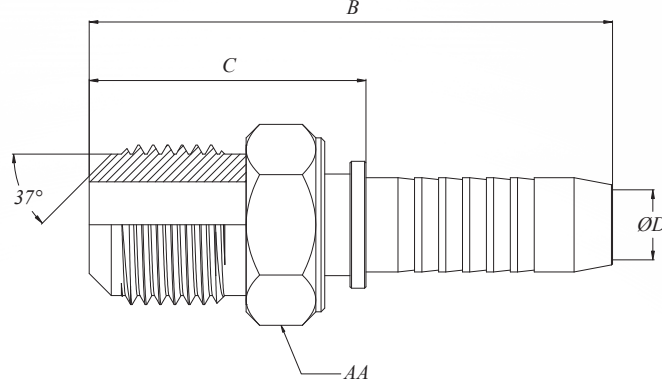


**UNF SOMUNLU 45° HORTUM RAKORLARI**  
UNF FEMALE 45° ELBOW SWIVEL HOSE FITTINGS

MALZEME KODU MATERIAL CODE	HORTUM ÖLÇÜSÜ HOSE SIZE		SOMUN ÖLÇÜSÜ NUT SIZE	B	C	E	ØD	AA
	mm	inch						
RK-0511-WS45	05	3/16	7/16-20	52	30	12	3.2	16
RK-0611-WS45	06	1/4	7/16-20	60	35	15	4	16
RK-0612-WS45	06	1/4	1/2-20	60	35	16	4	17
RK-0614-WS45	06	1/4	9/16-18	60	35	16	4	19
RK-0812-WS45	08	5/16	1/2-20	68	41	16	5.5	17
RK-0814-WS45	08	5/16	9/16-18	68	41	16	5.5	19
RK-0816-WS45	08	5/16	5/8-18	68	41	16	5.5	21
RK-1014-WS45	10	3/8	9/16-18	72	42	17	7	19
RK-1016-WS45	10	3/8	5/8-18	72	42	17	7	21
RK-1019-WS45	10	3/8	3/4-16	72	42	17	7	24
RK-1319-WS45	12	1/2	3/4-16	80	47	18	9	24
RK-1322-WS45	12	1/2	7/8-14	80	47	19	9	27
RK-1622-WS45	16	5/8	7/8-14	98	58	23	12	27
RK-1627-WS45	16	5/8	1"1/16-12	100	60	25	12	32
RK-1927-WS45	19	3/4	1"1/16-12	107	63	28	14	32
RK-2533-WS45	25	1"	1"5/16-12	145	90	35	19	41
RK-3241-WS45	32	1"1/4	1"5/8-12	175	115	48	25	50
RK-3847-WS45	38	1"1/2	1"7/8-12	200	135	50	29	55



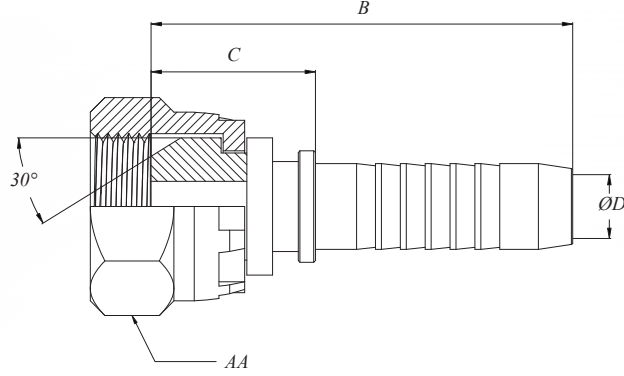
**UNF ERKEK HORTUM RAKORLARI**  
UNF MALE STRAIGHT HOSE FITTINGS



**UNF ERKEK HORTUM RAKORLARI**  
UNF MALE STRAIGHT HOSE FITTINGS

MALZEME KODU MATERIAL CODE	HORTUM ÖLÇÜSÜ HOSE SIZE		DIŞ ÖLÇÜSÜ THREAD SIZE	B	C	ØD	AA
	mm	inch					
RK-0511-WE	05	3/16	7/16-20	45.5	24.5	3.2	12
RK-0611-WE	06	1/4	7/16-20	50	25	4	12
RK-0612-WE	06	1/4	1/2-20	51	26	4	13
RK-0614-WE	06	1/4	9/16-18	51.5	26.5	4	14
RK-0812-WE	08	5/16	1/2-20	53	26	5.5	13
RK-0814-WE	08	5/16	9/16-18	53.5	26.5	5.5	14
RK-0816-WE	08	5/16	5/8-18	56	29	5.5	17
RK-1014-WE	10	3/8	9/16-18	56.5	26.5	7	14
RK-1016-WE	10	3/8	5/8-18	59	29	7	17
RK-1019-WE	10	3/8	3/4-16	60	30	7	19
RK-1319-WE	12	1/2	3/4-16	63.5	30.5	9	19
RK-1322-WE	12	1/2	7/8-14	67.5	34.5	9	22
RK-1622-WE	16	5/8	7/8-14	75.5	35.5	12	22
RK-1627-WE	16	5/8	1"1/16-12	79.5	39.5	12	27
RK-1927-WE	19	3/4	1"1/16-12	84	40	14	27
RK-2533-WE	25	1"	1"5/16-12	98.5	44.5	19	36

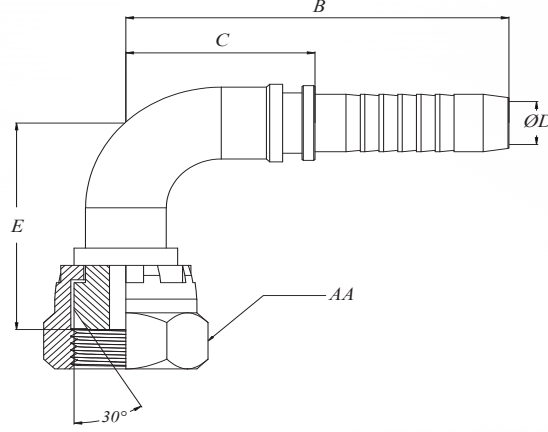
**BSP SOMUNLU DÜZ HORTUM RAKORLARI**  
**BSP FEMALE STRAIGHT SWIVEL HOSE FITTINGS**



**BSP SOMUNLU DÜZ HORTUM RAKORLARI**  
**BSP FEMALE STRAIGHT SWIVEL HOSE FITTINGS**

MALZEME KODU MATERIAL CODE	HORTUM ÖLÇÜSÜ HOSE SIZE		SOMUN ÖLÇÜSÜ NUT SIZE	B	C	ØD	AA
	mm	inch					
RK-0510-RSD	05	3/16	R1/8-28	36	15	3.2	14
RK-0513-RSD	05	3/16	R1/4-19	38	17	3.2	17
RK-0610-RSD	06	1/4	R1/8-28	40.5	15	4	14
RK-0613-RSD	06	1/4	R1/4-19	42.5	17.5	4	17
RK-0617-RSD	06	1/4	R3/8-19	45	20	4	22
RK-0621-RSD	06	1/4	R1/2-14	48	23	4	27
RK-0813-RSD	08	5/16	R1/4-19	44.5	17.5	5.5	17
RK-0817-RSD	08	5/16	R3/8-19	47	20	5.5	22
RK-0821-RSD	08	5/16	R1/2-14	50	23	5.5	27
RK-1017-RSD	10	3/8	R3/8-19	50	20	7	22
RK-1021-RSD	10	3/8	R1/2-14	53	23	7	27
RK-1317-RSD	12	1/2	R3/8-19	53.5	20.5	9	22
RK-1321-RSD	12	1/2	R1/2-14	56.5	23.5	9	27
RK-1323-RSD	12	1/2	R5/8-14	59	27	9	30
RK-1326-RSD	12	1/2	R3/4-14	60.5	27.5	9	32
RK-1621-RSD	16	5/8	R1/2-14	64.5	24.5	12	27
RK-1623-RSD	16	5/8	R5/8-14	67	27	12	30
RK-1626-RSD	16	5/8	R3/4-14	67.5	27.5	12	32
RK-1633-RSD	16	5/8	R1"-11	74	34	12	41
RK-1926-RSD	19	3/4	R3/4-14	72	28	14	32
RK-1933-RSD	19	3/4	R1"-11	78	34	14	41
RK-2533-RSD	25	1"	R1"-11	88	34	19	41
RK-2542-RSD	25	1"	R1"1/4-11	88.5	34.5	19	50
RK-3242-RSD	32	1"1/4	R1"1/4-11	95.5	36	25	50
RK-3848-RSD	38	1"1/2	R1"1/2-11	111.5	39.5	29	55
RK-5060-RSD	50	2"	R2"-11	103.5	43.5	41	70
RK-6475-RSD	64	2"1/2	R2"1/2-11	109	49	54	90
RK-7688-RSD	76	3"	R3"-11	125	60	63	96

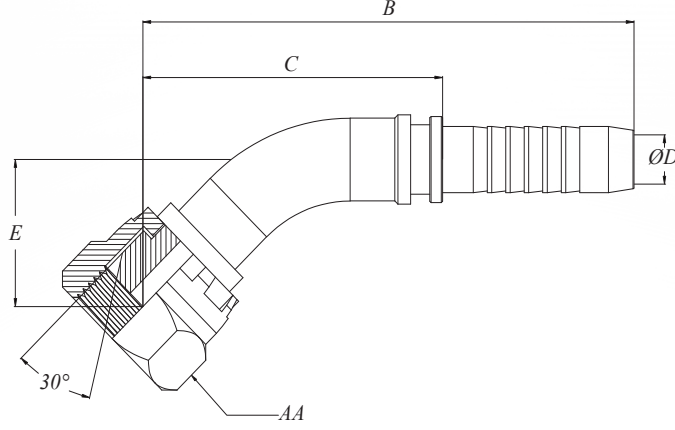
**BSP SOMUNLU 90° HORTUM RAKORLARI**  
**BSP FEMALE 90° ELBOW SWIVEL HOSE FITTINGS**



**BSP SOMUNLU 90° HORTUM RAKORLARI**  
**BSP FEMALE 90° ELBOW SWIVEL HOSE FITTINGS**

MALZEME KODU MATERIAL CODE	HORTUM ÖLÇÜSÜ HOSE SIZE		SOMUN ÖLÇÜSÜ NUT SIZE	B	C	E	ØD	AA
	mm	inch						
RK-0510-RS90	05	3/16	R1/8-28	45	25	26	3.2	14
RK-0513-RS90	05	3/16	R1/4-19	45	25	27	3.2	17
RK-0610-RS90	06	1/4	R1/8-28	50	25	27	4	14
RK-0613-RS90	06	1/4	R1/4-19	50	25	29	4	17
RK-0617-RS90	06	1/4	R3/8-19	50	25	31	4	22
RK-0621-RS90	06	1/4	R1/2-14	50	25	34	4	27
RK-0813-RS90	08	5/16	R1/4-19	55	28	30	5.5	17
RK-0817-RS90	08	5/16	R3/8-19	55	28	33	5.5	22
RK-0821-RS90	08	5/16	R1/2-14	55	28	35	5.5	27
RK-1017-RS90	10	3/8	R3/8-19	61.5	32.5	35	7	22
RK-1021-RS90	10	3/8	R1/2-14	61.5	32.5	37	7	27
RK-1317-RS90	12	1/2	R3/8-19	69.5	37.5	40	9	22
RK-1321-RS90	12	1/2	R1/2-14	69.5	37.5	40	9	27
RK-1623-RS90	16	5/8	R5/8-14	84	45	49	12	30
RK-1626-RS90	16	5/8	R3/4-14	84	45	50	12	32
RK-1926-RS90	19	3/4	R3/4-14	100	57	57.5	14	32
RK-2533-RS90	25	1"	R1"-11	122	69	66	19	41
RK-3242-RS90	32	1"1/4	R1"1/4-11	140	80	87	25	50
RK-3848-RS90	38	1"1/2	R1"1/2-11	175	105	100	29	55
RK-5060-RS90	50	2"	R2"-11	155	95	100	41	70
RK-6475-RS90	64	2"1/2	R2"1/2	180	110	120	54	90
RK-7688-RS90	76	3"	R3"	210	140	135	68	96

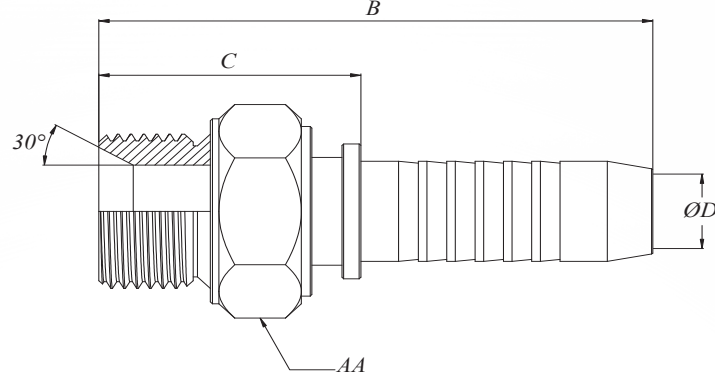
**BSP SOMUNLU 45° HORTUM RAKORLARI**  
BSP FEMALE 45° ELBOW SWIVEL HOSE FITTINGS



**BSP SOMUNLU 45° HORTUM RAKORLARI**  
BSP FEMALE 45° ELBOW SWIVEL HOSE FITTINGS

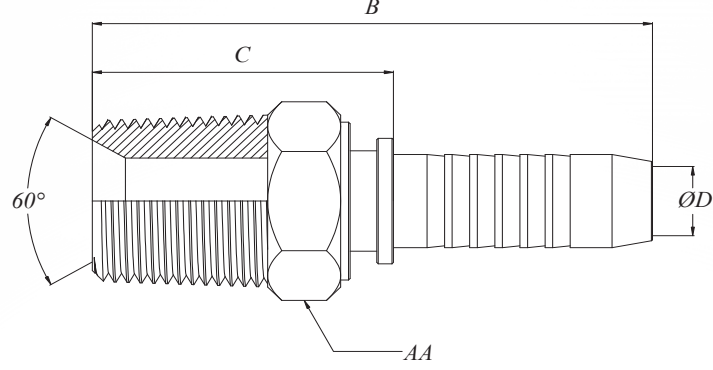
MALZEME KODU MATERIAL CODE	HORTUM ÖLÇÜSÜ HOSE SIZE		SOMUN ÖLÇÜSÜ NUT SIZE	B	C	E	ØD	AA
	mm	inch						
RK-0510-RS45	05	3/16	R1/8-28	53	32	13	3.2	14
RK-0513-RS45	05	3/16	R1/4-19	59	39	16	3.2	17
RK-0610-RS45	06	1/4	R1/8-28	60	35	14	4	14
RK-0613-RS45	06	1/4	R1/4-19	61	36	15	4	17
RK-0617-RS45	06	1/4	R3/8-19	62	37	17	4	22
RK-0621-RS45	06	1/4	R1/2-14	68	43	21	4	27
RK-0813-RS45	08	5/16	R1/4-19	67	40	18	5.5	17
RK-0817-RS45	08	5/16	R3/8-19	67	40	18	5.5	22
RK-0821-RS45	08	5/16	R1/2-14	69	42	22	5.5	27
RK-1017-RS45	10	3/8	R3/8-19	75	45	20	7	22
RK-1021-RS45	10	3/8	R1/2-14	79	49	24	7	27
RK-1317-RS45	12	1/2	R3/8-19	85	52	24	9	22
RK-1321-RS45	12	1/2	R1/2-14	83	59	25	9	27
RK-1623-RS45	16	5/8	R5/8-14	98	58	28	12	30
RK-1626-RS45	16	5/8	R3/4-14	103	63	30	12	32
RK-1926-RS45	19	3/4	R3/4-14	108	64	32	14	32
RK-2533-RS45	25	1"	R1"-11	140	85	33	19	41
RK-3242-RS45	32	1"1/4	R1"1/4-11	165	105	44	25	50
RK-3848-RS45	38	1"1/2	R1"1/2-11	185	115	47	29	55
RK-5060-RS45	50	2"	R2"	150	90	35	41	70
RK-6475-RS45	64	2"1/2	R2"1/2	190	120	50	54	90
RK-7688-RS45	76	3"	R3"	210	140	50	68	96

**BSP PUL SIKMALI ERKEK HORTUM RAKORLARI**  
BSP MALE STRAIGHT HOSE FITTINGS



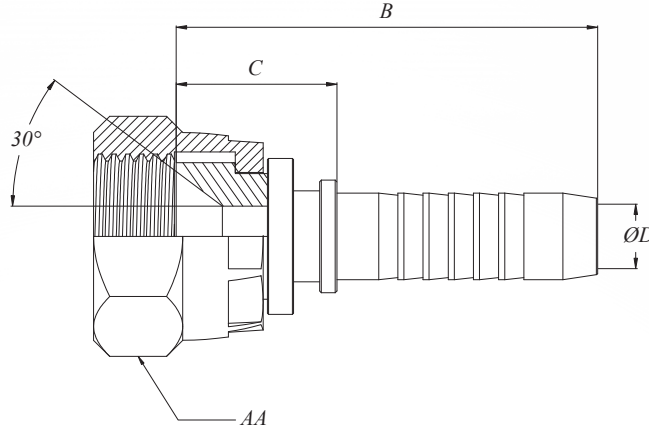
**BSP PUL SIKMALI ERKEK HORTUM RAKORLARI**  
BSP MALE STRAIGHT HOSE FITTINGS - METAL SEALING EDGE

MALZEME KODU MATERIAL CODE	HORTUM ÖLÇÜSÜ HOSE SIZE		DIŞ ÖLÇÜSÜ THREAD SIZE	B	C	ØD	AA
	mm	inch					
RK-0510-RE	05	3/16	R1/8-28	41.5	20.5	3.2	14
RK-0610-RE	06	1/4	R1/8-28	46	20.5	4	14
RK-0613-RE	06	1/4	R1/4-19	50	24	4	19
RK-0617-RE	06	1/4	R3/8-19	51.5	26.5	4	22
RK-0621-RE	06	1/4	R1/2-14	55	30	4	27
RK-0821-RE	08	5/16	R1/2-14	57	30	5.5	27
RK-1017-RE	10	3/8	R3/8-19	56.5	26.5	7	22
RK-1021-RE	10	3/8	R1/2-14	60	30	7	27
RK-1321-RE	12	1/2	R1/2-14	63.5	30.5	9	27
RK-1626-RE	16	5/8	R3/4-14	74.5	34.5	12	32
RK-1633-RE	16	5/8	R1"-11	78.5	38.5	12	41
RK-1926-RE	19	3/4	R3/4-14	79	35	14	32
RK-2533-RE	25	1"	R1"-11	94	40	19	41
RK-3242-RE	32	1"1/4	R1"1/4-11	106.5	47.5	25	50
RK-3848-RE	38	1"1/2	R1"1/2-11	121	49	29	55

**BSPT ERKEK HORTUM RAKORLARI**  
**BSPT MALE STRAIGHT HOSE FITTINGS**

**BSPT ERKEK HORTUM RAKORLARI**  
**BSPT MALE STRAIGHT HOSE FITTINGS**

MALZEME KODU MATERIAL CODE	HORTUM ÖLÇÜSÜ HOSE SIZE		DIŞ ÖLÇÜSÜ THREAD SIZE	B	C	ØD	AA
	mm	inch					
RK-0510-NE	05	3/16	1/8-28 BSPT	42.5	21.5	3.2	12
RK-0610-NE	06	1/4	1/8-28 BSPT	47	22	4	12
RK-0613-NE	06	1/4	1/4-19 BSPT	52.5	27.5	4	14
RK-0617-NE	06	1/4	3/8-19 BSPT	53.5	28.5	4	19
RK-0621-NE	06	1/4	1/2-14 BSPT	58	33	4	22
RK-0813-NE	08	5/16	1/4-19 BSPT	54.5	27.5	5.5	14
RK-0817-NE	08	5/16	3/8-19 BSPT	55.5	28.5	5.5	19
RK-0821-NE	08	5/16	1/2-14 BSPT	60	33	5.5	22
RK-1013-NE	10	3/8	1/4-19 BSPT	57.5	27.5	7	14
RK-1017-NE	10	3/8	3/8-19 BSPT	58.5	28.5	7	19
RK-1021-NE	10	3/8	1/2-14 BSPT	63	33	7	22
RK-1321-NE	12	1/2	1/2-14 BSPT	66.5	33.5	9	22
RK-1327-NE	12	1/2	3/4-14 BSPT	70.5	37.5	9	27
RK-1627-NE	16	5/8	3/4-14 BSPT	78.5	38.5	12	27
RK-1927-NE	19	3/4	3/4-14 BSPT	83	39	14	27
RK-2533-NE	25	1"	1"-11 BSPT	99	45	19	36
RK-3242-NE	32	1"1/4	1"1/4-11 BSPT	108.5	49.5	25	46
RK-3848-NE	38	1"1/2	1"1/2-11 BSPT	123	51	29	50
RK-5060-NE	50	2"	2"-11 BSPT	114	54	41	65

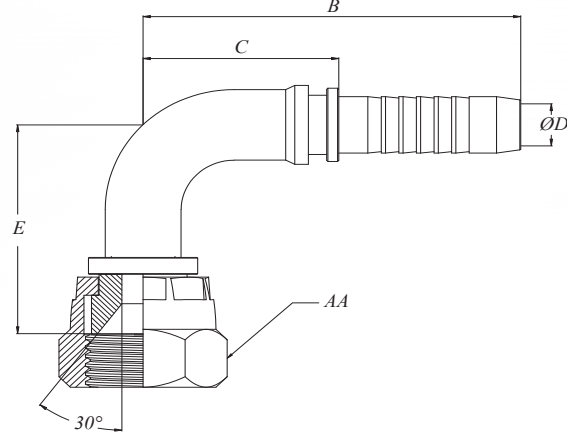
**BSP İÇE HAVŞA SOMUNLU DÜZ HORTUM RAKORLARI**  
**BSP FEMALE 30° FLARE STRAIGHT SWIVEL HOSE FITTINGS**



**BSP İÇE HAVŞA SOMUNLU DÜZ HORTUM RAKORLARI**  
**BSP FEMALE 30° FLARE STRAIGHT SWIVEL HOSE FITTINGS**

MALZEME KODU MATERIAL CODE	HORTUM ÖLÇÜSÜ HOSE SIZE		SOMUN ÖLÇÜSÜ NUT SIZE	B	C	ØD	AA
	mm	inch					
RK-0613-RİSD	06	1/4	R1/4-19	40.5	15.5	4	17
RK-0617-RİSD	06	1/4	R3/8-19	42.5	17.5	4	22
RK-0621-RİSD	06	1/4	R1/2-14	43.5	18.5	4	27
RK-0817-RİSD	08	5/16	R3/8-19	44	17	5.5	22
RK-0821-RİSD	08	5/16	R1/2-14	46	19	5.5	27
RK-1017-RİSD	10	3/8	R3/8-19	47	17	7	22
RK-1021-RİSD	10	3/8	R1/2-14	48	18	7	27
RK-1321-RİSD	12	1/2	R1/2-14	52	19	9	27
RK-1626-RİSD	16	5/8	R3/4-14	62.5	22.5	12	32
RK-1926-RİSD	19	3/4	R3/4-14	67	23	14	32
RK-2533-RİSD	25	1"	R1"-11	81	27	19	41
RK-3242-RİSD	32	1"1/4	R1"1/4-11	88	28.5	25	50
RK-3848-RİSD	38	1"1/2	R1"1/2-11	105.5	33.5	29	55

**BSP İÇE HAVŞA SOMUNLU 90° HORTUM RAKORLARI**  
**BSP FEMALE 30° FLARE 90° ELBOW SWIVEL HOSE FITTINGS**

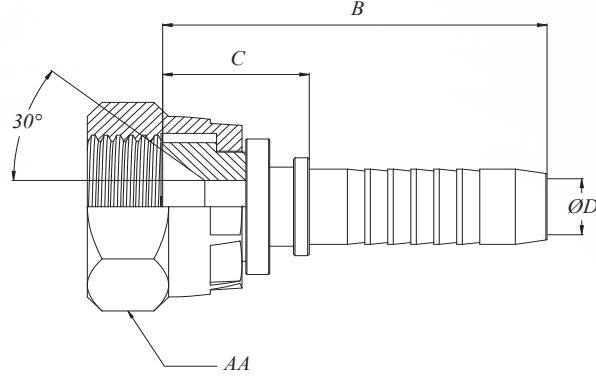


**BSP İÇE HAVŞA SOMUNLU 90° HORTUM RAKORLARI**  
**BSP FEMALE 30° FLARE 90° ELBOW SWIVEL HOSE FITTINGS**

MALZEME KODU MATERIAL CODE	HORTUM ÖLÇÜSÜ HOSE SIZE		SOMUN ÖLÇÜSÜ NUT SIZE	B	C	E	ØD	AA
	mm	inch						
RK-0613-RIS90	06	1/4	R1/4-19	50	25	27	4	17
RK-0617-RIS90	06	1/4	R3/8-19	50	25	29	4	22
RK-0621-RIS90	06	1/4	R1/2-14	50	25	31	4	27
RK-0817-RIS90	08	5/16	R3/8-19	55	28	30	5.5	22
RK-0821-RIS90	08	5/16	R1/2-14	55	28	32	5.5	27
RK-1017-RIS90	10	3/8	R3/8-19	61.5	32.5	33	7	22
RK-1021-RIS90	10	3/8	R1/2-14	61.5	32.5	37	7	27
RK-1321-RIS90	12	1/2	R1/2-14	69.5	37.5	37	9	27
RK-1626-RIS90	16	5/8	R3/4-14	84	45	54	12	32
RK-1926-RIS90	19	3/4	R3/4-14	100	57	51	14	32
RK-2533-RIS90	25	1"	R1"-11	122	69	66	19	41
RK-3242-RIS90	32	1"1/4	R1"1/4-11	140	80	87	25	50
RK-3848-RIS90	38	1"1/2	R1"1/2-11	175	105	100	29	55



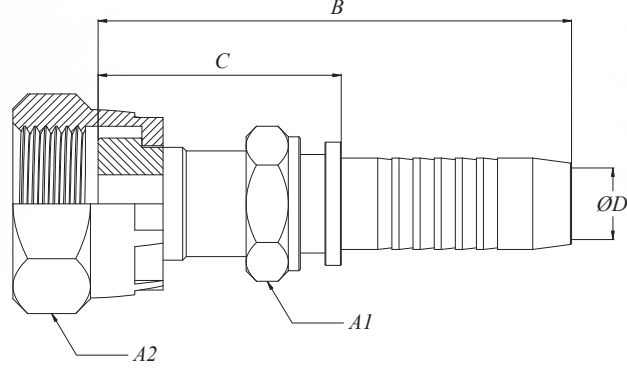
**METRİK İÇE HAVŞA DÜZ KOMATSU HORTUM RAKORU**  
KOMATSU HOSE FITTING



**METRİK İÇE HAVŞA DÜZ KOMATSU HORTUM RAKORU**  
KOMATSU METRIC FEMALE 30° FLARE SWIVEL STRAIGHT HOSE FITTING

MALZEME KODU MATERIAL CODE	HORTUM ÖLÇÜSÜ HOSE SIZE		SOMUN ÖLÇÜSÜ NUT SIZE	B	C	ØD	AA
	mm	inch					
RK-0614-MİSD	06	1/4	M14x1,5	40.5	15.5	4	19
RK-0814-MİSD	08	5/16	M14x1,5	42.5	15.5	5.5	19
RK-0818-MİSD	08	5/16	M18x1,5	44.5	17.5	5.5	22
RK-1018-MİSD	10	3/8	M18x1,5	47.5	17.5	7	22
RK-1322-MİSD	12	1/2	M22x1,5	53	20	9	27
RK-1324-MİSD	12	1/2	M24x1,5	53.5	20.5	9	30
RK-1624-MİSD	16	5/8	M24x1,5	61.5	21.5	12	30
RK-1930-MİSD	19	3/4	M30x1,5	70	26	14	36
RK-2533-MİSD	25	1"	M33x1,5	85	31	19	41
RK-3236-MİSD	32	1"1/4	M36x1,5	93.5	34	22	46
RK-3242-MİSD	32	1"1/4	M42x1,5	93.5	34	25	50

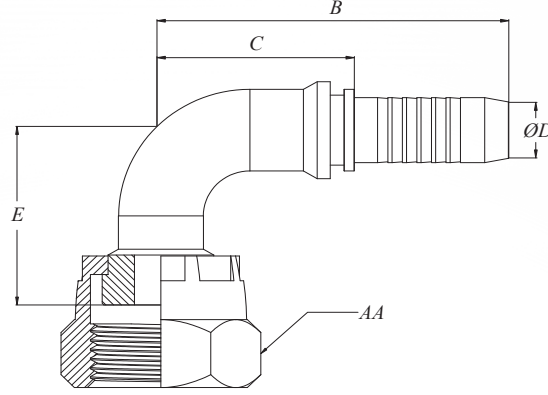
**ORFS SOMUNLU DÜZ HORTUM RAKORU**  
ORFS FEMALE STRAIGHT SWIVEL HOSE FITTING



**ORFS SOMUNLU DÜZ HORTUM RAKORU**  
ORFS FEMALE STRAIGHT SWIVEL HOSE FITTING

MALZEME KODU MATERIAL CODE	HORTUM ÖLÇÜSÜ HOSE SIZE		SOMUN ÖLÇÜSÜ NUT SIZE	B	C	ØD	A1	A2
	mm	inch						
RK-0614-OSD	06	1/4	9/16-18	52	27	4	13	19
RK-0617-OSD	06	1/4	11/16-16	55	30	4	17	22
RK-0814-OSD	08	5/16	9/16-18	54	27	5.5	13	19
RK-0817-OSD	08	5/16	11/16-16	57	30	5.5	17	22
RK-1017-OSD	10	3/8	11/16-16	60	30	7	17	22
RK-1021-OSD	10	3/8	13/16-16	64	34	7	19	24
RK-1321-OSD	12	1/2	13/16-16	67.5	34.5	9	19	24
RK-1325-OSD	12	1/2	1"-14	72	39	9	24	30
RK-1625-OSD	16	5/8	1"-14	80	40	12	24	30
RK-1630-OSD	16	5/8	1"3/16-12	83.5	43.5	12	30	36
RK-1930-OSD	19	3/4	1"3/16-12	88	44	14	30	36
RK-1937-OSD	19	3/4	1"7/16-12	91.5	47.5	14	36	41
RK-2537-OSD	25	1"	1"7/16-12	102.5	48.5	19	36	41
RK-2543-OSD	25	1"	1"11/16-12	106	52	19	41	50
RK-3243-OSD	32	1"1/4	1"11/16-12	113	53.5	25	41	50

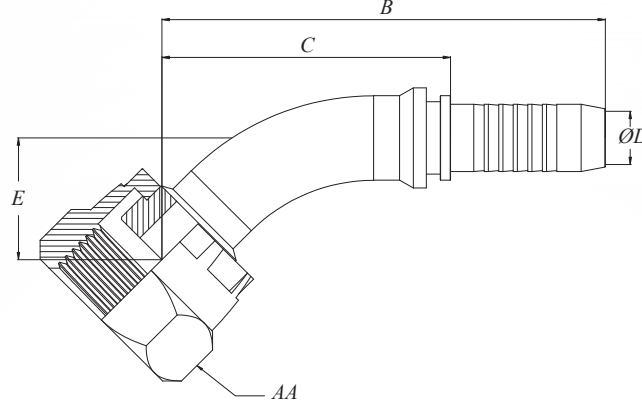
**ORFS SOMUNLU 90° HORTUM RAKORU**  
ORFS FEMALE 90° ELBOW SWIVEL HOSE FITTING



**ORFS SOMUNLU 90° HORTUM RAKORU**  
ORFS FEMALE 90° ELBOW SWIVEL HOSE FITTING

MALZEME KODU MATERIAL CODE	HORTUM ÖLÇÜSÜ HOSE SIZE		SOMUN ÖLÇÜSÜ NUT SIZE	B	C	E	ØD	AA
	mm	inch						
RK-0614-OS90	06	1/4	9/16-18	50	25	25	4	19
RK-0617-OS90	06	1/4	11/16-16	50	25	25	4	22
RK-0814-OS90	08	5/16	9/16-18	55	28	25	5.5	19
RK-0817-OS90	08	5/16	11/16-16	55	28	27	5.5	22
RK-1017-OS90	10	3/8	11/16-16	61.5	32.5	30	7	22
RK-1021-OS90	10	3/8	13/16-16	61.5	32.5	31	7	24
RK-1321-OS90	12	1/2	13/16-16	69.5	37.5	35	9	24
RK-1325-OS90	12	1/2	1"-14	69.5	37.5	38	9	30
RK-1625-OS90	16	5/8	1"-14	84	45	40	12	30
RK-1630-OS90	16	5/8	1"3/16-12	84	45	51	12	36
RK-1930-OS90	19	3/4	1"3/16-12	100	57	54	14	36
RK-1937-OS90	19	3/4	1"7/16-12	100	57	55	14	41
RK-2537-OS90	25	1"	1"7/16-12	122	69	60	19	41
RK-3243-OS90	32	1"1/4	1"11/16-12	140	80	71	25	50

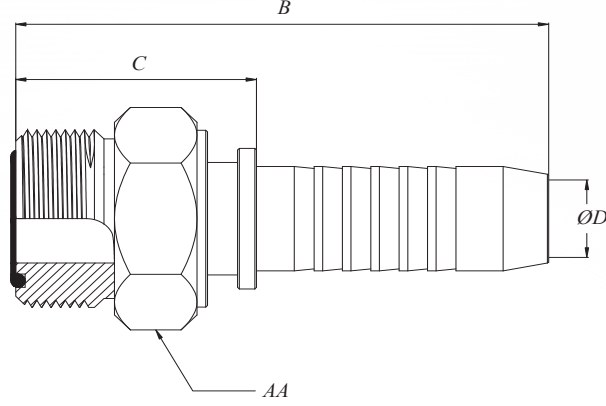
**ORFS SOMUNLU 45° HORTUM RAKORU**  
ORFS FEMALE 45° ELBOW SWIVEL HOSE FITTING



**ORFS SOMUNLU 45° HORTUM RAKORU**  
ORFS FEMALE 45° ELBOW SWIVEL HOSE FITTING

MALZEME KODU MATERIAL CODE	HORTUM ÖLÇÜSÜ HOSE SIZE		SOMUN ÖLÇÜSÜ NUT SIZE	B	C	E	ØD	AA
	mm	inch						
RK-0614-OS45	06	1/4	9/16-18	60	35	13	4	19
RK-0617-OS45	06	1/4	11/16-16	71	46	15	4	22
RK-0814-OS45	08	5/16	9/16-18	58	31	12	5.5	19
RK-0817-OS45	08	5/16	11/16-16	74	47	16	5.5	22
RK-1017-OS45	10	3/8	11/16-16	69	39	15	7	22
RK-1021-OS45	10	3/8	13/16-16	72	42	16	7	24
RK-1321-OS45	12	1/2	13/16-16	78	45	16	9	24
RK-1325-OS45	12	1/2	1"-14	80	47	19	9	30
RK-1625-OS45	16	5/8	1"-14	85	45	23	12	30
RK-1630-OS45	16	5/8	1"3/16-12	104	64	29	12	36
RK-1930-OS45	19	3/4	1"3/16-12	110	66	31	14	36
RK-1937-OS45	19	3/4	1"7/16-12	118	74	30	14	41
RK-2537-OS45	25	1"	1"7/16-12	135	80	32	19	41
RK-3243-OS45	32	1"1/4	1"11/16-12	160	100	37	25	50

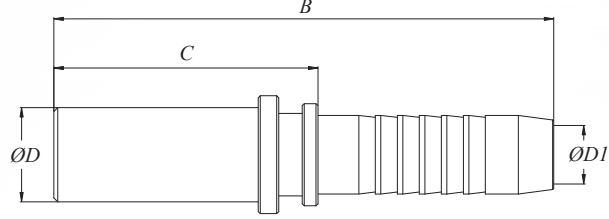
**ORFS ERKEK HORTUM RAKORU**  
ORFS MALE STRAIGHT HOSE FITTING



**ORFS ERKEK HORTUM RAKORU**  
ORFS MALE STRAIGHT HOSE FITTING

MALZEME KODU MATERIAL CODE	HORTUM ÖLÇÜSÜ HOSE SIZE		DIŞ ÖLÇÜSÜ THREAD SIZE	B	C	ØD	AA
	mm	inch					
RK-0614-OE	06	1/4	9/16-18	48	23	4	17
RK-0617-OE	06	1/4	11/16-16	50	25	4	19
RK-0814-OE	08	5/16	9/16-18	50	23	5.5	17
RK-0817-OE	08	5/16	11/16-16	52	25	5.5	19
RK-1017-OE	10	3/8	11/16-16	55	25	7	19
RK-1021-OE	10	3/8	13/16-16	58	28	7	22
RK-1321-OE	12	1/2	13/16-16	61.5	28.5	9	22
RK-1325-OE	12	1/2	1"-14	65.5	32.5	9	27
RK-1625-OE	16	5/8	1"-14	73.5	33.5	12	27
RK-1630-OE	16	5/8	1"3/16-12	76	36	12	32
RK-1930-OE	19	3/4	1"3/16-12	80.5	36.5	14	32
RK-1937-OE	19	3/4	1"7/16-12	82.5	38.5	14	41
RK-2537-OE	25	1"	1"7/16-12	93.5	39.5	19	41
RK-2543-OE	25	1"	1"11/16-12	94.5	40.5	19	46
RK-3243-OE	32	1"1/4	1"11/16-12	101.5	42	25	46

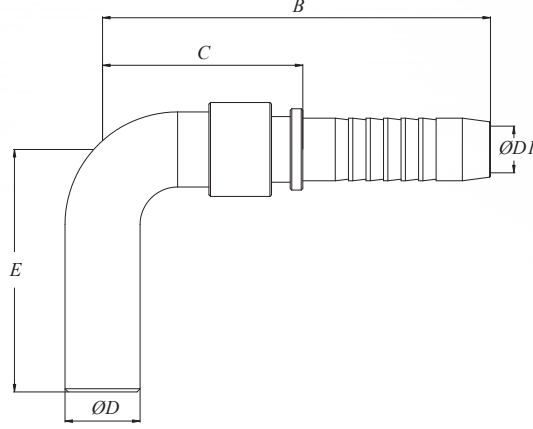
**BORU UÇLU DÜZ HORTUM RAKORU**  
RIGID STANDPIPE HOSE FITTING



**BORU UÇLU DÜZ HORTUM RAKORU**  
RIGID STANDPIPE HOSE FITTING

MALZEME KODU MATERIAL CODE	HORTUM ÖLÇÜSÜ HOSE SIZE		BORU ÇAPI TUBE OD ØD	B	C	ØD1
	mm	inch				
RK-0506-BUD	05	3/16	6	49	28.5	3.2
RK-0606-BUD	06	1/4	6	55	30	4
RK-0608-BUD	06	1/4	8	55.5	30.5	4
RK-0610-BUD	06	1/4	10	55	30	4
RK-0808-BUD	08	5/16	8	57	30	5.5
RK-0810-BUD	08	5/16	10	57.5	30.5	5.5
RK-0812-BUD	08	5/16	12	60.5	33.5	5.5
RK-1008-BUD	10	3/8	8	61	31	7
RK-1010-BUD	10	3/8	10	61.5	31.5	7
RK-1012-BUD	10	3/8	12	63.5	33.5	7
RK-1312-BUD	12	1/2	12	68	35.5	9
RK-1316-BUD	12	1/2	16	71	38.5	9

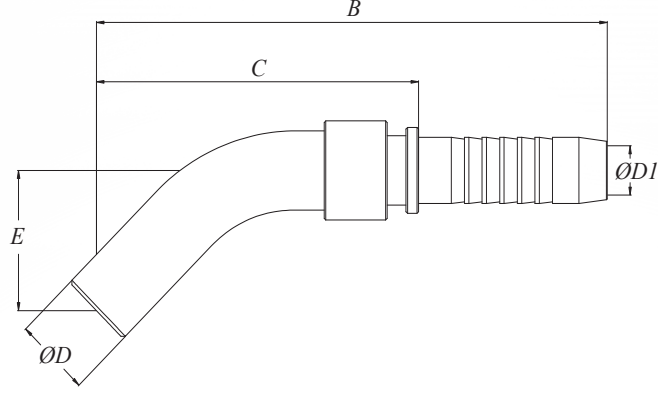
**BORU UÇLU 90° HORTUM RAKORU**  
STANDPIPE 90° ELBOW HOSE FITTING



**BORU UÇLU 90° HORTUM RAKORU**  
STANDPIPE 90° ELBOW HOSE FITTING

MALZEME KODU MATERIAL CODE	HORTUM ÖLÇÜSÜ HOSE SIZE		BORU ÇAPI TUBE OD ØD	B	C	E	ØD1
	mm	inch					
RK-0506-BU90	05	3/16	6	46	25	31	3.2
RK-0606-BU90	06	1/4	6	52	27	31	4
RK-0608-BU90	06	1/4	8	52	27	34	4
RK-0610-BU90	06	1/4	10	53	28	36	4
RK-0808-BU90	08	5/16	8	53	26	34	5.5
RK-0810-BU90	08	5/16	10	52	25	35	5.5
RK-0812-BU90	08	5/16	12	58	31	43	5.5
RK-1008-BU90	10	3/8	8	57	27	34	7
RK-1010-BU90	10	3/8	10	59	28	35	7
RK-1012-BU90	10	3/8	12	63	33	41	7
RK-1312-BU90	12	1/2	12	66	33	42	9
RK-1316-BU90	12	1/2	16	73	40	48	9

**BORU UÇLU 45° HORTUM RAKORU**  
**STANDPIPE 45° ELBOW HOSE FITTING**

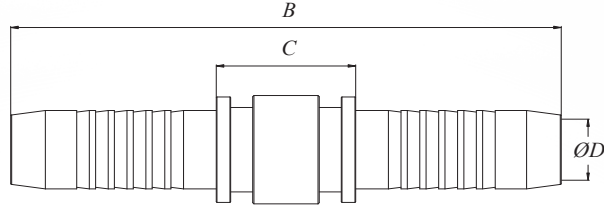


**BORU UÇLU 45° HORTUM RAKORU**  
**STANDPIPE 45° ELBOW HOSE FITTING**

MALZEME KODU MATERIAL CODE	HORTUM ÖLÇÜSÜ HOSE SIZE		BORU ÇAPI TUBE OD ØD	B	C	E	ØD1
	mm	inch					
RK-0506-BU45	05	3/16	6	62.5	42	20	3.2
RK-0606-BU45	06	1/4	6	69.5	44.5	20	4
RK-0608-BU45	06	1/4	8	71	45.5	21	4
RK-0610-BU45	06	1/4	10	72	47	21	4
RK-0808-BU45	08	5/16	8	73	45.5	21	5.5
RK-0810-BU45	08	5/16	10	74	47	21	5.5
RK-0812-BU45	08	5/16	12	77	50.5	22	5.5
RK-1008-BU45	10	3/8	8	76	45.5	21	7
RK-1010-BU45	10	3/8	10	77	47	21	7
RK-1012-BU45	10	3/8	12	80	50.5	22	7
RK-1312-BU45	12	1/2	12	83.5	50.5	22	9
RK-1316-BU45	12	1/2	16	91.5	59	27	9

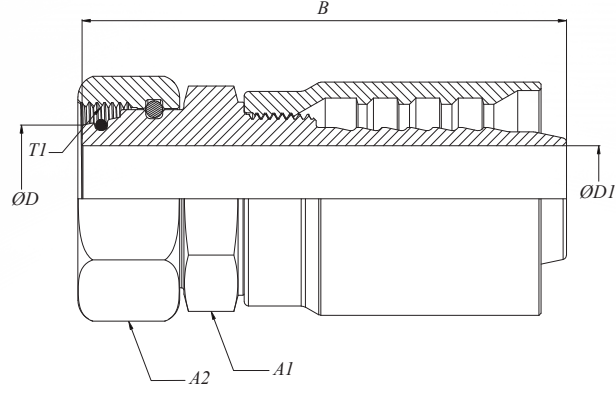


**HORTUM EKİ**  
DOUBLE CONNECTOR



HORTUM EKİ DOUBLE CONNECTOR HOSE FITTING							
MALZEME KODU MATERIAL CODE	HORTUM ÖLÇÜSÜ HOSE SIZE		HORTUM ÖLÇÜSÜ HOSE SIZE		B	C	ØD
	mm	inch	mm	inch			
RK-0505-HE	05	3/16	05	3/16	55	13	3.2
RK-0606-HE	06	1/4	06	1/4	66	16	4
RK-0808-HE	08	5/16	08	5/16	70	16	5.5
RK-1010-HE	10	3/8	10	3/8	77	17	7
RK-1313-HE	12	1/2	12	1/2	87.5	22	9
RK-1616-HE	16	5/8	16	5/8	108	28	12
RK-1919-HE	19	3/4	19	3/4	118	30	14
RK-2525-HE	25	1"	25	1"	144	36	19
RK-3232-HE	32	1"1/4	32	1"1/4	160	41.5	25
RK-3838-HE	38	1"1/2	38	1"1/2	189	45	29
RK-5050-HE	50	2"	50	2"	162	42	41

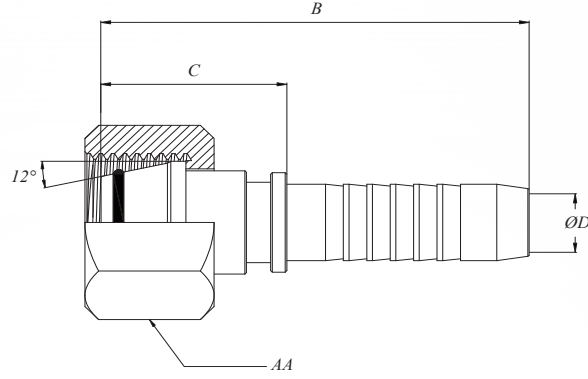
**KIRICI HORTUM RAKORLARI**  
FEMALE STRAIGHT SWIVEL HOSE FITTINGS



**KIRICI HORTUM RAKORLARI**  
FEMALE STRAIGHT SWIVEL HOSE FITTINGS

MALZEME KODU MATERIAL CODE	HORTUM ÖLÇÜSÜ HOSE SIZE		SOMUN ÖLÇÜSÜ NUT SIZE T1	BORU ÇAPI TUBE OD ØD	B	ØD1	A1	A2
	mm	inch						
RK-2536-KR	25	1"	M36x2	25	104	17	36	46
RK-2542-KR	25	1"	M42x2	30	107.5	17	41	50
RK-2545-KR	25	1"	M45x2	35	108	17	46	50
RK-2552-KR	25	1"	M52x2	38	111.5	17	50	60
RK-3242-KR	32	1"1/4	M42x2	30	113.5	23	41	50
RK-3245-KR	32	1"1/4	M45x2	35	114	25	46	50
RK-3252-KR	32	1"1/4	M52x2	38	117.5	25	50	60
RK-2533-KR	25	1"	R1"-11	25	104.5	17	36	41
RK-2537-KR	25	1"	1"7/16-12 ORFS	25	110.5	17	36	41
RK-3243-KR	32	1"1/4	1"11/16-12 ORFS	30	120	23	41	50

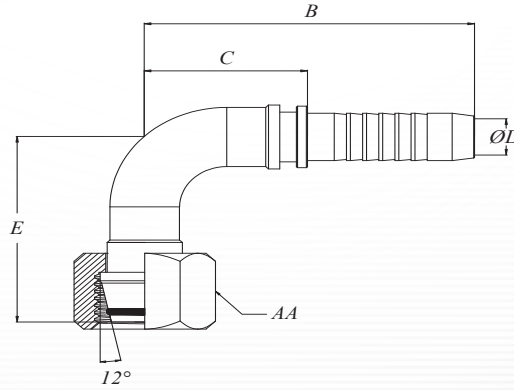
### DN4 SOMUNLU DÜZ HORTUM RAKORLARI DN4 HOSE FITTINGS



### DN4 SOMUNLU DÜZ HORTUM RAKORLARI DN4 HOSE FITTINGS

MALZEME KODU MATERIAL CODE	HORTUM ÖLÇÜSÜ HOSE SIZE	SOMUN ÖLÇÜSÜ NUT SIZE	B	C	ØD	AA
RK-0411-TSR	DN4	7/16 UNF	35	15	2	16
RK-0412-TSR	DN4	M12	40	20	2	14
RK-0414-TSR	DN4	M14	42.5	22.5	2	17
RK-0416-TSR	DN4	M16	42	22	2	19

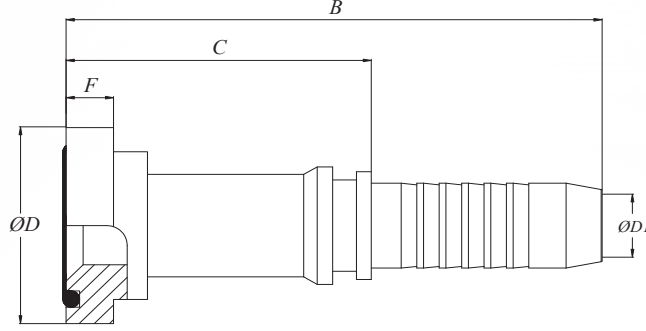
### DN4 SOMUNLU 90° HORTUM RAKORLARI DN4 90° ELBOW HOSE FITTINGS



### DN4 SOMUNLU 90° HORTUM RAKORLARI DN4 90° ELBOW HOSE FITTINGS

MALZEME KODU MATERIAL CODE	HORTUM ÖLÇÜSÜ HOSE SIZE	SOMUN ÖLÇÜSÜ NUT SIZE	B	C	E	ØD	AA
RK-0412-TSR90	DN4	M12	45	25	25	2	14
RK-0414-TSR90	DN4	M14	45	25	26	2	17
RK-0416-TSR90	DN4	M16	45	25	29	2	19

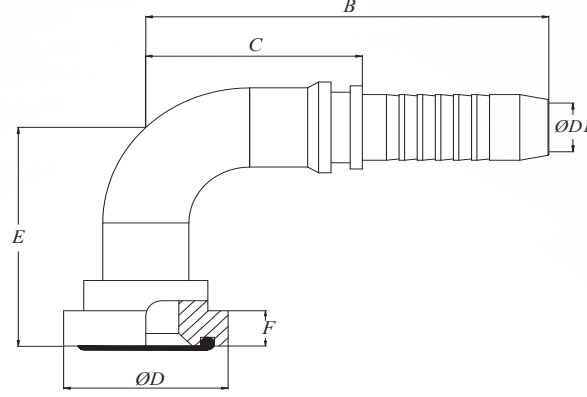
**FLANŞLI DÜZ HORTUM RAKORU 3000 SERİSİ**  
**STRAIGHT FLANGE HOSE FITTING 3000 SERIES**



**FLANŞLI DÜZ HORTUM RAKORU 3000 SERİSİ**  
**STRAIGHT FLANGE HOSE FITTING 3000 SERIES**

MALZEME KODU MATERIAL CODE	HORTUM ÖLÇÜSÜ HOSE SIZE		FLANŞ ÖLÇÜSÜ FLANGE SIZE ØD	B	C	F	ØD1
	mm	inch					
RK-133007-FLD	12	1/2	30,2	83	50	7.5	9
RK-133807-FLD	12	1/2	38,1	84	51	7.5	9
RK-163807-FLD	16	5/8	38,1	101	61	7.5	12
RK-193807-FLD	19	3/4	38,1	105	61	7.5	14
RK-194408-FLD	19	3/4	44,4	105	62	8	14
RK-253807-FLD	25	1"	38,1	116	62	7.5	19
RK-254408-FLD	25	1"	44,4	117	63	8	19
RK-255108-FLD	25	1"	50,8	120	66	8	19
RK-324408-FLD	32	1"1/4	44,4	132	72.5	8	25
RK-325108-FLD	32	1"1/4	50,8	131	71.5	8	25
RK-326008-FLD	32	1"1/4	60,3	128	68.5	8	25
RK-386008-FLD	38	1"1/2	60,3	147	75	8	29
RK-507110-FLD	50	2"	71,4	130	71	10	42
RK-648410-FLD	64	2"1/2	84,1	147	76	10	55
RK-7610110-FLD	76	3"	101,6	147	75	10	67
RK-10211410-FLD	102	4"	114,3	170	95	11	92
RK-10212710-FLD	102	4"	127	170	95	11	92

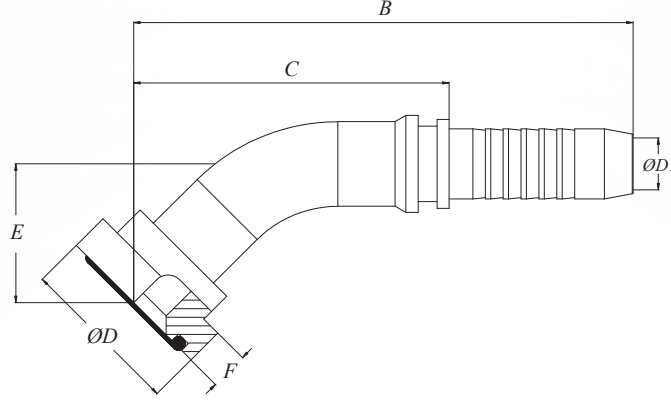
**FLANŞLI 90° HORTUM RAKORU 3000 SERİSİ**  
90° ELBOW FLANGE HOSE FITTING 3000 SERIES



**FLANŞLI 90° HORTUM RAKORU 3000 SERİSİ**  
90° ELBOW FLANGE HOSE FITTING 3000 SERIES

MALZEME KODU MATERIAL CODE	HORTUM ÖLÇÜSÜ HOSE SIZE		FLANŞ ÖLÇÜSÜ FLANGE SIZE ØD	B	C	E	F	ØD1
	mm	inch						
RK-133007-FL90	12	1/2	30,2	69	36	38	7,5	9
RK-133807-FL90	12	1/2	38,1	69	36	38	7,5	9
RK-163807-FL90	16	5/8	38,1	90	50	48	7,5	12
RK-193807-FL90	19	3/4	38,1	100	56	58	7,5	14
RK-194408-FL90	19	3/4	44,4	100	56	60	8	14
RK-253807-FL90	25	1"	38,1	135	81	65	7,5	19
RK-254408-FL90	25	1"	44,4	135	81	67	8	19
RK-255108-FL90	25	1"	50,8	135	81	68	8	19
RK-324408-FL90	32	1"1/4	44,4	140	80	78	8	25
RK-325108-FL90	32	1"1/4	50,8	140	80	80	8	25
RK-326008-FL90	32	1"1/4	60,3	140	80	80	8	25
RK-386008-FL90	38	1"1/2	60,3	170	100	85	8	29
RK-507110-FL90	50	2"	71,4	150	90	90	10	42
RK-648410-FL90	64	2"1/2	84,1	175	105	110	10	55
RK-7610110-FL90	76	3"	101,6	200	130	125	10	67
RK-10211410-FL90	102	4"	114,3	245	170	175	11	92
RK-10212710-FL90	102	4"	127	245	170	175	11	92

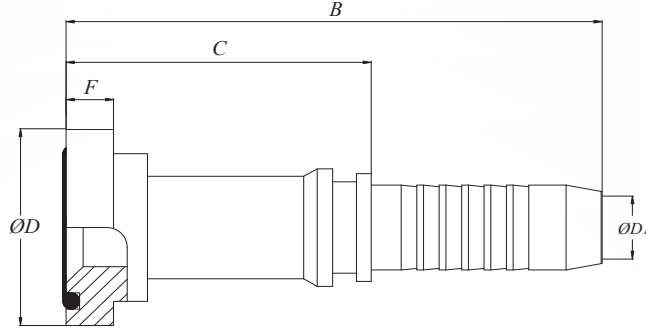
**FLANŞLI 45° HORTUM RAKORU 3000 SERİSİ**  
**45° ELBOW FLANGE HOSE FITTING 3000 SERIES**



**FLANŞLI 45° HORTUM RAKORU 3000 SERİSİ**  
**45° ELBOW FLANGE HOSE FITTING 3000 SERIES**

MALZEME KODU MATERIAL CODE	HORTUM ÖLÇÜSÜ HOSE SIZE		FLANŞ ÖLÇÜSÜ FLANGE SIZE ØD	B	C	E	F	ØD1
	mm	inch						
RK-133007-FL45	12	1/2	30,2	85	52	25	7.5	9
RK-133807-FL45	12	1/2	38,1	85	52	25	7.5	9
RK-163807-FL45	16	5/8	38,1	105	65	28	7.5	12
RK-193807-FL45	19	3/4	38,1	120	76	30	7.5	14
RK-194408-FL45	19	3/4	44,4	120	76	30	8	14
RK-253807-FL45	25	1"	38,1	145	91	35	7.5	19
RK-254408-FL45	25	1"	44,4	145	91	35	8	19
RK-255108-FL45	25	1"	50,8	145	91	35	8	19
RK-324408-FL45	32	1"1/4	44,4	160	100	38	8	25
RK-325108-FL45	32	1"1/4	50,8	160	100	38	8	25
RK-326008-FL45	32	1"1/4	60,3	160	100	38	8	25
RK-386008-FL45	38	1"1/2	60,3	170	100	45	8	29
RK-507110-FL45	50	2"	71,4	140	80	30	10	42
RK-648410-FL45	64	2"1/2	84,1	175	105	55	10	55
RK-7610110-FL45	76	3"	101,6	195	125	65	10	67
RK-10211410-FL45	102	4"	114,3	235	160	75	11	92
RK-10212710-FL45	102	4"	127	220	145	75	11	92

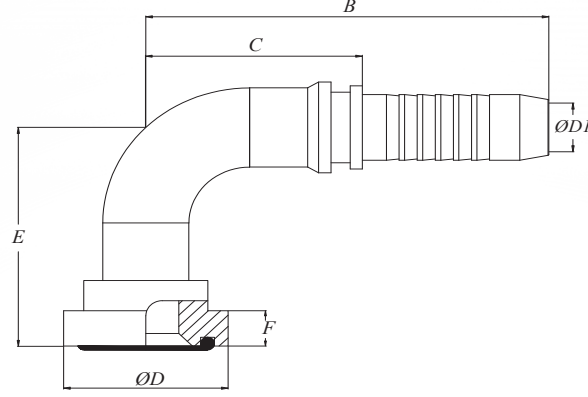
**FLANŞLI DÜZ HORTUM RAKORU 6000 SERİSİ**  
**STRAIGHT FLANGE HOSE FITTING 6000 SERIES**



**FLANŞLI DÜZ HORTUM RAKORU 6000 SERİSİ**  
**STRAIGHT FLANGE HOSE FITTING 6000 SERIES**

MALZEME KODU MATERIAL CODE	HORTUM ÖLÇÜSÜ HOSE SIZE		FLANŞ ÖLÇÜSÜ FLANGE SIZE ØD	B	C	F	ØD1
	mm	inch					
RK-133208-FLD	12	1/2	32	83	50	8	9
RK-133408-FLD	12	1/2	34,1	84	51	8	9
RK-163208-FLD	16	5/8	32	95	55	8	12
RK-163408-FLD	16	5/8	34,1	95	55	8	12
RK-164110-FLD	16	5/8	41,3	101	61	9	12
RK-194110-FLD	19	3/4	41,3	106	62	9	14
RK-194810-FLD	19	3/4	47,6	106	62	10	14
RK-254810-FLD	25	1"	47,6	120	66	10	19
RK-255410-FLD	25	1"	54	120	66	10,5	19
RK-324810-FLD	32	1"1/4	47,6	131	71,5	10	25
RK-325410-FLD	32	1"1/4	54	131	71,5	10,5	25
RK-326314-FLD	32	1"1/4	63,5	133,5	74	12,7	25
RK-386314-FLD	38	1"1/2	63,5	148,5	76,5	12,7	29

**FLANŞLI 90° HORTUM RAKORU 6000 SERİSİ**  
**90° ELBOW FLANGE HOSE FITTING 6000 SERIES**

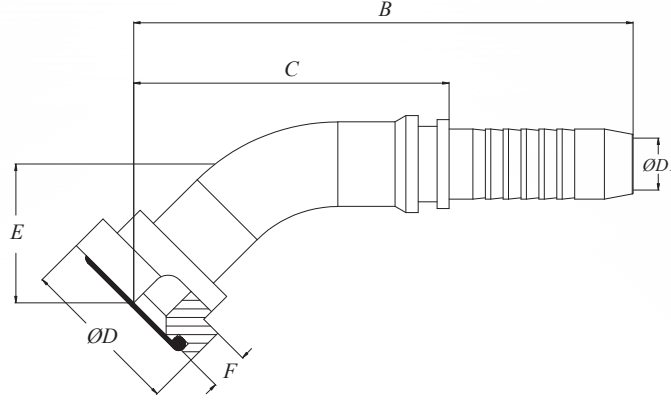


**FLANŞLI 90° HORTUM RAKORU 6000 SERİSİ**  
**90° ELBOW FLANGE HOSE FITTING 6000 SERIES**

MALZEME KODU MATERIAL CODE	HORTUM ÖLÇÜSÜ HOSE SIZE		FLANŞ ÖLÇÜSÜ FLANGE SIZE ØD	B	C	E	F	ØD1
	mm	inch						
RK-133208-FL90	12	1/2	32	69	36	38	8	9
RK-133408-FL90	12	1/2	34,1	69	36	38	8	9
RK-163208-FL90	16	5/8	32	90	50	50	8	12
RK-163408-FL90	16	5/8	34,1	90	50	50	8	12
RK-164110-FL90	16	5/8	41,3	90	50	50	9	12
RK-194110-FL90	19	3/4	41,3	100	56	60	9	14
RK-194810-FL90	19	3/4	47,6	100	56	63	10	14
RK-254810-FL90	25	1"	47,6	135	81	70	10	19
RK-255410-FL90	25	1"	54	135	81	70	10,5	19
RK-324810-FL90	32	1"1/4	47,6	140	80	78	10	25
RK-325410-FL90	32	1"1/4	54	140	80	80	10,5	25
RK-326314-FL90	32	1"1/4	63,5	140	80	80	12,7	25
RK-386314-FL90	38	1"1/2	63,5	170	100	85	12,7	29



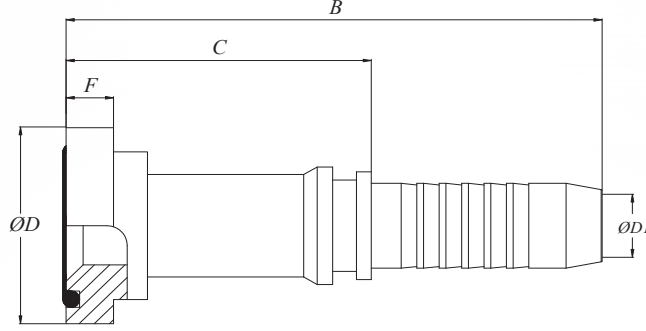
**FLANŞLI 45° HORTUM RAKORU 6000 SERİSİ**  
45° ELBOW FLANGE HOSE FITTING 6000 SERIES



**FLANŞLI 45° HORTUM RAKORU 6000 SERİSİ**  
45° ELBOW FLANGE HOSE FITTING 6000 SERIES

MALZEME KODU MATERIAL CODE	HORTUM ÖLÇÜSÜ HOSE SIZE		FLANŞ ÖLÇÜSÜ FLANGE SIZE ØD	B	C	E	F	ØD1
	mm	inch						
RK-133208-FL45	12	1/2	32	85	52	25	8	9
RK-133408-FL45	12	1/2	34,1	85	52	25	8	9
RK-163208-FL45	16	5/8	32	105	65	28	8	12
RK-163408-FL45	16	5/8	34,1	105	65	28	8	12
RK-164110-FL45	16	5/8	41,3	105	65	28	9	12
RK-194110-FL45	19	3/4	41,3	120	76	30	9	14
RK-194810-FL45	19	3/4	47,6	120	76	30	10	14
RK-254810-FL45	25	1"	47,6	145	91	35	10	19
RK-255410-FL45	25	1"	54	145	91	35	10.5	19
RK-324810-FL45	32	1"1/4	47,6	160	100	38	10	25
RK-325410-FL45	32	1"1/4	54	160	100	38	10.5	25
RK-326314-FL45	32	1"1/4	63,5	160	100	38	12.7	25
RK-386314-FL45	38	1"1/2	63,5	170	100	45	12.7	29

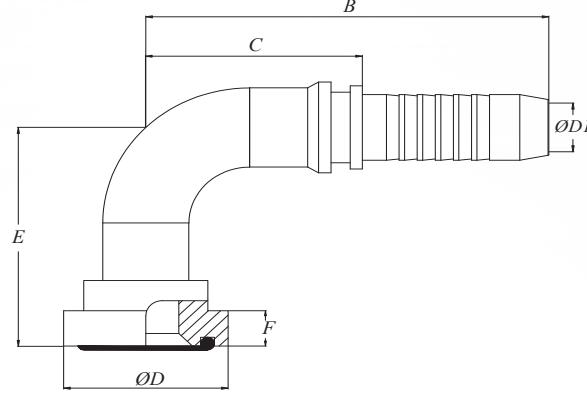
**FLANŞLI DÜZ HORTUM RAKORU 6000 SERİSİ (KALIN TİP)**  
**STRAIGHT ELBOW FLANGE HOSE FITTING (THICK TYPE)**



**FLANŞLI DÜZ HORTUM RAKORU 6000 SERİSİ (KALIN TİP)**  
**STRAIGHT ELBOW FLANGE HOSE FITTING (THICK TYPE)**

MALZEME KODU MATERIAL CODE	HORTUM ÖLÇÜSÜ HOSE SIZE		FLANŞ ÖLÇÜSÜ FLANGE SIZE ØD	B	C	F	ØD1
	mm	inch					
RK-194110-KFLD	19	3/4	41,3	106	62	14,5	14
RK-254814-KFLD	25	1"	47,6	120	66	14,5	19
RK-255414-KFLD	25	1"	54	120	66	14,5	19
RK-324814-KFLD	32	1"1/4	47,6	131	71,5	14,5	25
RK-325414-KFLD	32	1"1/4	54	131	71,5	14,5	25
RK-326314-KFLD	32	1"1/4	63,5	135	75,5	14,5	25
RK-386314-KFLD	38	1"1/2	63,5	150	78	14,5	29

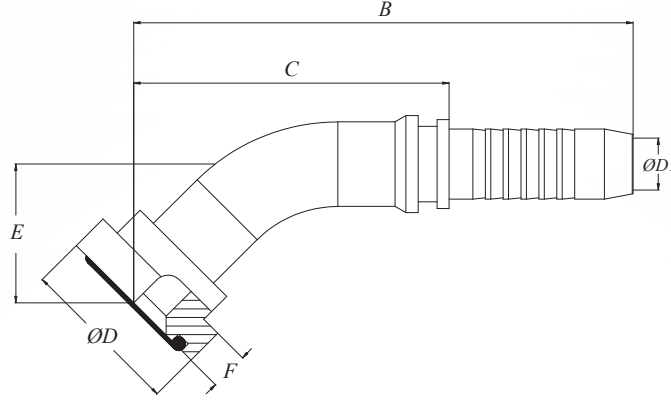
**FLANŞLI 90° HORTUM RAKORU 6000 SERİSİ (KALIN TİP)**  
**90° ELBOW FLANGE HOSE FITTING (THICK TYPE)**



**FLANŞLI 90° HORTUM RAKORU 6000 SERİSİ (KALIN TİP)**  
**90° ELBOW FLANGE HOSE FITTING (THICK TYPE)**

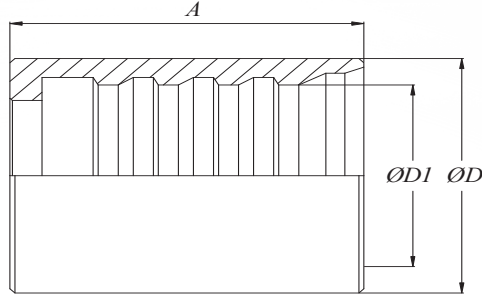
MALZEME KODU MATERIAL CODE	HORTUM ÖLÇÜSÜ HOSE SIZE		FLANŞ ÖLÇÜSÜ FLANGE SIZE ØD	B	C	E	F	ØD1
	mm	inch						
RK-194110-KFL90	19	3/4	41,3	100	56	65	14.5	14
RK-254814-KFL90	25	1"	47,6	135	81	73	14.5	19
RK-255414-KFL90	25	1"	54	135	81	73	14.5	19
RK-324814-KFL90	32	1"1/4	47,6	140	80	84	14.5	25
RK-325414-KFL90	32	1"1/4	54	140	80	80	14.5	25
RK-326314-KFL90	32	1"1/4	63,5	140	80	80	14.5	25
RK-386314-KFL90	38	1"1/2	63,5	170	100	87	14.5	29

**FLANŞLI 45° HORTUM RAKORU 6000 SERİSİ (KALIN TİP)**  
 45° ELBOW FLANGE HOSE FITTING (THICK TYPE)



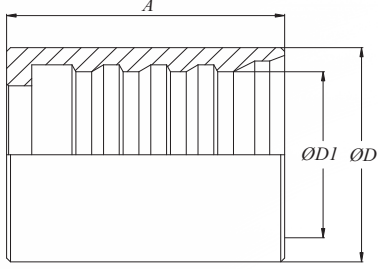
**FLANŞLI 45° HORTUM RAKORU 6000 SERİSİ (KALIN TİP)**  
 45° ELBOW FLANGE HOSE FITTING (THICK TYPE)

MALZEME KODU MATERIAL CODE	HORTUM ÖLÇÜSÜ HOSE SIZE		FLANŞ ÖLÇÜSÜ FLANGE SIZE ØD	B	C	E	F	ØD1
	mm	inch						
RK-194110-KFL45	19	3/4	41,3	123	79	33	14,5	14
RK-254814-KFL45	25	1"	47,6	148	94	37	14,5	19
RK-255414-KFL45	25	1"	54	148	94	37	14,5	19
RK-324814-KFL45	32	1"1/4	47,6	163	103	38	14,5	25
RK-325414-KFL45	32	1"1/4	54	163	103	38	14,5	25
RK-326314-KFL45	32	1"1/4	63,5	163	103	38	14,5	25
RK-386314-KFL45	38	1"1/2	63,5	175	105	45	14,5	29

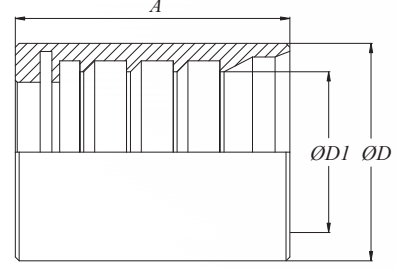
**R1 - R2 ÇELİK SOKETLER**  
**R1 - R2 STEEL SOCKETS**

**R1 - R2 ÇELİK SOKETLER**  
**R1 - R2 STEEL SOCKETS**

MALZEME KODU MATERIAL CODE	HORTUM ÖLÇÜSÜ HOSE SIZE		A	ØD	ØD1
	mm	inch			
RK-0517-ÇS	05	3/16	25.5	17	13
RK-0620-ÇS	06	1/4	28	20	14,5
RK-0822-ÇS	08	5/16	30	22	15,5
RK-1025-ÇS	10	3/8	33	25	18,4
RK-1328-ÇS	12	1/2	35	28	21,7
RK-1632-ÇS	16	5/8	42	32	24,7
RK-1936-ÇS	19	3/4	49	36	29
RK-2546-ÇS	25	1"	55	45	36,5
RK-3256-ÇS	32	1"1/4	62	55	46
RK-3862-ÇS	38	1"1/2	71.5	62	53
RK-5175-ÇS	51	2"	70	75	64
RK-6487-ÇS	64	2"1/2	70	87.5	79
RK-76103-ÇS	76	3"	73	103	93
RK-102132-ÇS	102	4"	81	132	120.5

### R9 ÇELİK SOKETLER R9 STEEL SOCKETS



### FLEXOPAK SOKETLER STEEL SOCKETS



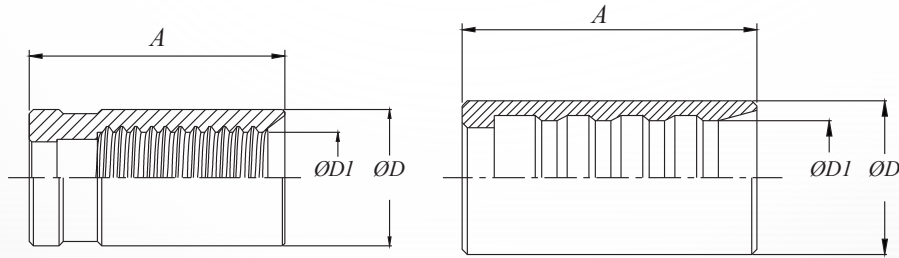
### R9 ÇELİK SOKETLER R9 STEEL SOCKETS

MALZEME KODU MATERIAL CODE	HORTUM ÖLÇÜSÜ HOSE SIZE		A	ØD	ØD1
	mm	inch			
RK-1026-ÇS	10	3/8	36	25	18.5
RK-1329-ÇS	12	1/2	40	28	21
RK-1633-ÇS	16	5/8	45	32	25.5
RK-1938-ÇS	19	3/4	45	38	29.5
RK-2545-ÇS	25	1"	64	45	36.5
RK-3255-ÇS	32	1"1/4	70.5	55	44.5
RK-3863-ÇS	38	1"1/2	71.5	62	53

### FLEXOPAK SOKETLER STEEL SOCKETS

MALZEME KODU MATERIAL CODE	HORTUM ÖLÇÜSÜ HOSE SIZE		A	ØD	ØD1
	mm	inch			
RK-0621-SÇS	06	1/4	27.5	23	15.7
RK-0824-SÇS	08	5/16	30	24	17.3
RK-1026-SÇS	10	3/8	31.5	26	19.7
RK-1329-SÇS	12	1/2	33	30	23
RK-1634-SÇS	16	5/8	36	34	26
RK-1938-SÇS	19	3/4	40	38	30.2
RK-2546-SÇS	25	1"	51	46	38.8

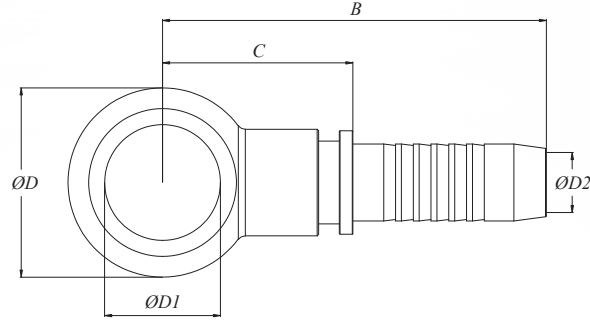
### DN2 - DN4 SOKETLER DN2 - DN4 STEEL SOCKETS



### DN2 - DN4 SOKETLER DN2 - DN4 STEEL SOCKETS

MALZEME KODU MATERIAL CODE	HORTUM ÖLÇÜSÜ HOSE SIZE	A	ØD	ØD1
RK-0205-TSS	DN2	15	8	5.2
RK-0409-TSS	DN4	23	12	8.9

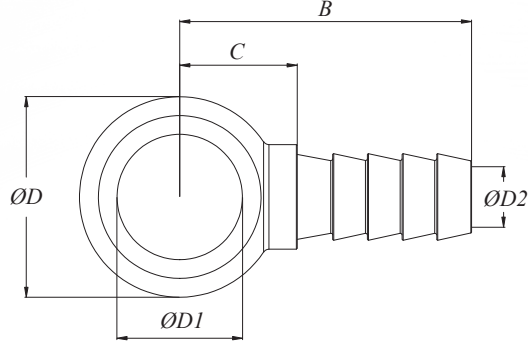
**PRESLİ HALKA  
BANJO FITTING**



**PRESLİ HALKA  
BANJO FITTING**

MALZEME KODU MATERIAL CODE	HORTUM ÖLÇÜSÜ HOSE SIZE		ØD1	B	C	ØD	ØD2
	mm	inch					
	RK-0510-HT	05					
RK-0610-HT	06	1/4	10	44.5	19.5	18	4
RK-0612-HT	06	1/4	12	46	21	20	4
RK-0613-HT	06	1/4	13	48.5	23.5	24	4
RK-0614-HT	06	1/4	14	48.5	23.5	24	4
RK-0617-HT	06	1/4	17	51.5	26.5	28	4
RK-0812-HT	08	5/16	12	48.5	21.5	20	5.5
RK-0813-HT	08	5/16	13	50.5	23.5	24	5.5
RK-0814-HT	08	5/16	14	51	24	24	5.5
RK-0816-HT	08	5/16	16	54	27	28	5.5
RK-0817-HT	08	5/16	17	54	27	28	5.5
RK-1014-HT	10	3/8	14	54	24	24	7
RK-1016-HT	10	3/8	16	59	29	28	7
RK-1017-HT	10	3/8	17	59	29	29	7
RK-1018-HT	10	3/8	18	62	32	32	7
RK-1021-HT	10	3/8	21	63.5	33.5	35	7
RK-1316-HT	12	1/2	16	64	31	30	9
RK-1318-HT	12	1/2	18	65.5	32.5	32	9
RK-1320-HT	12	1/2	20	67	34	33	9
RK-1321-HT	12	1/2	21	67	34	35	9
RK-1322-HT	12	1/2	22	67	34	35	9

**SAÇ SOKET SIKMALI HALKA**  
BANJO FITTING

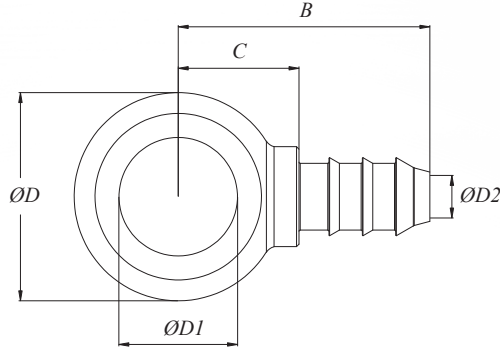


**SAÇ SOKET SIKMALI HALKA**  
BANJO FITTING

MALZEME KODU MATERIAL CODE	HORTUM ÖLÇÜSÜ HOSE SIZE		ØD1	B	C	ØD	ØD2
	mm	inch					
RK-0508-HB	05	3/16	8	26.5	9	14	3.2
RK-0510-HB	05	3/16	10	28.5	11	18	3.2
RK-0610-HB	06	1/4	10	30.5	11	18	4
RK-0612-HB	06	1/4	12	31.5	13	20	4
RK-0812-HB	08	5/16	12	33	13	20	5.5
RK-0813-HB	08	5/16	13	33	13	22	5.5
RK-0814-HB	08	5/16	14	37	14	24	5.5
RK-1014-HB	10	3/8	14	37	14	24	7
RK-1016-HB	10	3/8	16	39	16	28	7
RK-1018-HB	10	3/8	18	40	20	32	7
RK-1318-HB	12	1/2	18	51	25.5	32	9



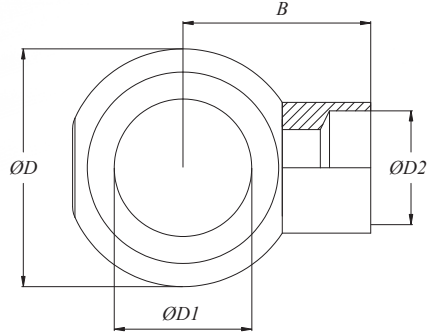
**POLYEMİD HALKA  
BANJO FITTING**



**POLYEMİD HALKA  
BANJO FITTING**

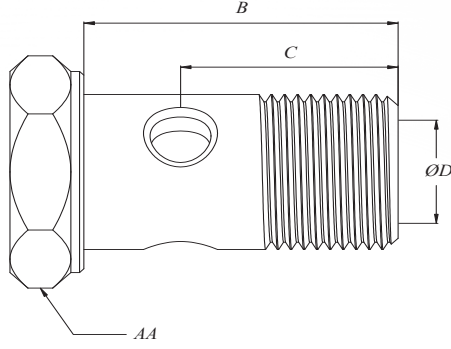
MALZEME KODU MATERIAL CODE	HORTUM ÖLÇÜSÜ HOSE SIZE	ØD1	B	C	ØD	ØD2
RK-0408-HP	4x6	8	24	9	14	3
RK-0410-HP	4x6	10	25	9	18	3
RK-0608-HP	6x8	8	25	9	14	4
RK-0610-HP	6x8	10	29	10	18	4
RK-0612-HP	6x8	12	29	10	20	4
RK-0614-HP	6x8	14	31	12	24	4
RK-0812-HP	8x10	12	31	10	20	6
RK-0814-HP	8x10	14	33	11	24	6
RK-0914-HP	9x12	14	36	12	24	7

**KAYNAKLIK HALKA**  
BANJO FITTING FOR WELDING



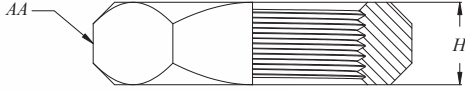
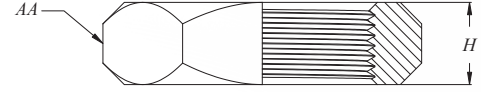
<b>KAYNAKLIK HALKA</b> BANJO FITTING FOR WELDING				
MALZEME KODU MATERIAL CODE	ØD1	B	ØD	ØD2
RK-0508-HK	8	13.5	14	5
RK-0610-HK	10	15	18	6
RK-0812-HK	12	17	20	8
RK-1014-HK	14	20	24	10
RK-1216-HK	16	21.5	28	12
RK-1217-HK	17	22	28	12
RK-1418-HK	18	26	32	14

**CİVATA RAKORLARI**  
BANJO BOLTS



**CİVATA RAKORLARI**  
HOLLOW SCREWS FOR RING-TYPE BANJO BOLTS

MALZEME KODU MATERIAL CODE	DİŞ ÖLÇÜSÜ THREAD SIZE	B	C	ØD	AA
RK-0812-MCR	M8x1,25	16	11.5	4	12
RK-1010-MCR	M10x1	20	14	5.5	14
RK-1215-MCR	M12x1,5	23.5	17	6.5	17
RK-1415-MCR	M14x1,5	26.5	18.5	7.5	19
RK-1615-MCR	M16x1,5	30	20	9	22
RK-1815-MCR	M18x1,5	34	24	11	24
RK-1028-RCR	R1/8-28	20	14.5	5	14
RK-1319-RCR	R1/4-19	25.5	17.5	7	17
RK-1719-RCR	R3/8-19	30.5	21.5	10	22
RK-2114-RCR	R1/2-14	36	25	12	27

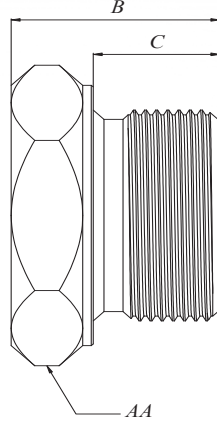
**METRİK KONTRA SOMUNU**  
**METRIC LOCK NUT**

**BSP KONTRA SOMUNU**  
**BSP LOCK NUT**

**METRİK KONTRA SOMUNU**  
**METRIC LOCK NUT**

MALZEME KODU MATERIAL CODE	DIŞ ÖLÇÜSÜ THREAD SIZE	H	AA
RK-1215-MKS	M12x1,5	6	17
RK-1415-MKS	M14x1,5	6	19
RK-1615-MKS	M16x1,5	6	22
RK-1815-MKS	M18x1,5	6	24
RK-2015-MKS	M20x1,5	6	27
RK-2215-MKS	M22x1,5	7	30
RK-2415-MKS	M24x1,5	7	32
RK-2615-MKS	M26x1,5	8	36
RK-3020-MKS	M30x2	8	41
RK-3620-MKS	M36x2	9	46
RK-4220-MKS	M42x2	9	50
RK-4520-MKS	M45x2	9	55
RK-5220-MKS	M52x2	10	65

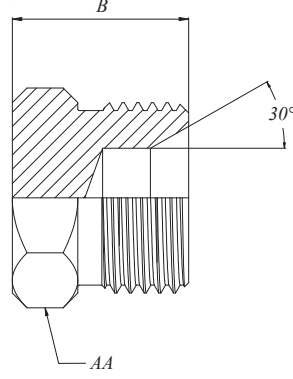
**BSP KONTRA SOMUNU**  
**BSP LOCK NUT**

MALZEME KODU MATERIAL CODE	DIŞ ÖLÇÜSÜ THREAD SIZE	H	AA
RK-1028-RKS	R1/8-28	5	14
RK-1319-RKS	R1/4-19	6	19
RK-1719-RKS	R3/8-19	7	22
RK-2114-RKS	R1/2-14	8	27
RK-2614-RKS	R3/4-14	9	32
RK-3311-RKS	R1"-11	10	41
RK-4211-RKS	R1"1/4-11	13	50
RK-4811-RKS	R1"1/2-11	15	55

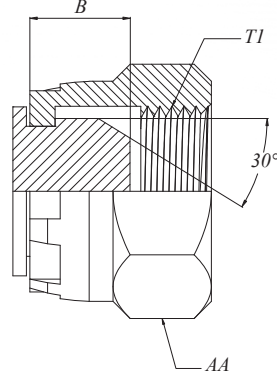
**BSP KÖRTAPA**  
BSP EXTERNAL HEX PORT PLUG



<b>BSP KÖRTAPA</b> MALE BSP THREAD - METAL SEALING EDGE (EXT. HEX)				
<b>MALZEME KODU</b> MATERIAL CODE	<b>DIŞ ÖLÇÜSÜ</b> THREAD SIZE	<b>B</b>	<b>C</b>	<b>AA</b>
RK-1028-RT	R1/8-28	13.5	8	14
RK-1319-RT	R1/4-19	17	10	19
RK-1719-RT	R3/8-19	17.5	11	22
RK-2114-RT	R1/2-14	21	12	27
RK-2614-RT	R3/4-14	25	15	32
RK-3311-RT	R1"-11	28	17	41
RK-4211-RT	R1"1/4-11	33	20	50
RK-4811-RT	R1"1/2-11	37	22	55

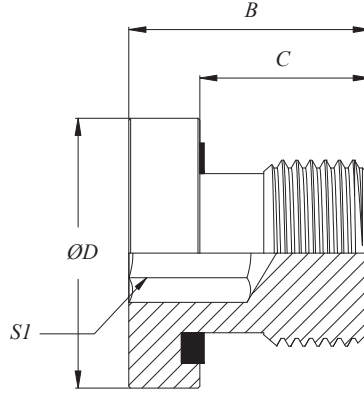
**BSP ERKEK HAVŞALI TAPA**  
BSP 60° CONE PLUG**BSP ERKEK HAVŞALI TAPA**  
BSP 60° CONE PLUG

MALZEME KODU MATERIAL CODE	DIŞ ÖLÇÜSÜ THREAD SIZE	B	AA
RK-1028-RET	R1/8-28	14	10
RK-1319-RET	R1/4-19	18	14
RK-1719-RET	R3/8-19	19	17
RK-2114-RET	R1/2-14	22	22
RK-2614-RET	R3/4-14	25	27
RK-3311-RET	R1"-11	28	36
RK-4211-RET	R1"1/4-11	32	46
RK-4811-RET	R1"1/2-11	35	50

**BSP SOMUNLU TAPA**  
BSP SWIVEL CAP**BSP SOMUNLU TAPA**  
BSP SWIVEL CAP

MALZEME KODU MATERIAL CODE	DIŞ ÖLÇÜSÜ THREAD SIZE T1	B	AA
RK-1028-RST	R1/8-28	8	14
RK-1319-RST	R1/4-19	10	17
RK-1719-RST	R3/8-19	12	22
RK-2114-RST	R1/2-14	14.5	27
RK-2614-RST	R3/4-14	17	32
RK-3311-RST	R1"-11	21	41
RK-4211-RST	R1"1/4-11	21	50
RK-4811-RST	R1"1/2-11	23.5	55

**BSP PFX ALYANBAŞLI KÖRTAPA**  
BSP INTERNAL HEX PORT PLUG

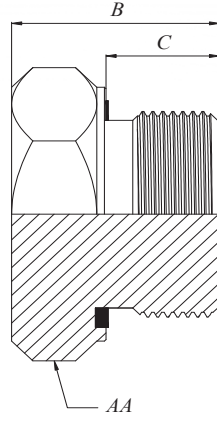


**BSP PFX ALYANBAŞLI KÖRTAPA**  
MALE BSP THREAD WITH ELASTOMERIC SEAL (IN. HEX)

MALZEME KODU MATERIAL CODE	DIŞ ÖLÇÜSÜ THREAD SIZE	B	C	ØD	S1
RK-1028-RAT	R1/8-28	12	8	14	5
RK-1319-RAT	R1/4-19	17	12	19	6
RK-1719-RAT	R3/8-19	17	12	22	8
RK-2114-RAT	R1/2-14	19	14	27	10
RK-2614-RAT	R3/4-14	21	16	32	12
RK-3311-RAT	R1"-11	22.5	16	40	17
RK-4211-RAT	R1"1/4-11	22.5	16	50	22
RK-4811-RAT	R1"1/2-11	22.5	16	55	24
RK-6011-RAT	R2"-11	35	24	72	32



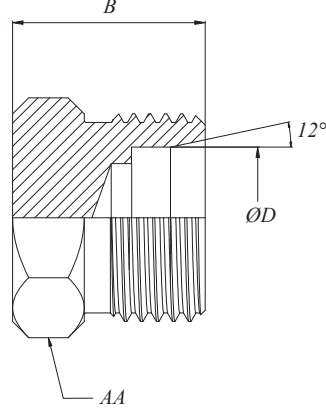
**METRİK PFX KÖRTAPA**  
METRIC EXTERNAL HEX PORT PLUG



**METRİK PFX KÖRTAPA**  
MALE METRIC THREAD WITH ELASTOMERIC SEAL (EXT. HEX)

MALZEME KODU MATERIAL CODE	DIŞ ÖLÇÜSÜ THREAD SIZE	B	C	AA
RK-1215-MKT	M12x1,5	20	12	17
RK-1415-MKT	M14x1,5	20	12	19
RK-1615-MKT	M16x1,5	22	12	22
RK-1815-MKT	M18x1,5	23	12	24
RK-2015-MKT	M20x1,5	25	14	27
RK-2215-MKT	M22x1,5	26	14	27
RK-2415-MKT	M24x1,5 (PUL SIKMALI / METAL SEAL)	22.5	13	30
RK-2615-MKT	M26x1,5	29	16	32
RK-3020-MKT	M30x2 (PUL SIKMALI / METAL SEAL)	27	16	36

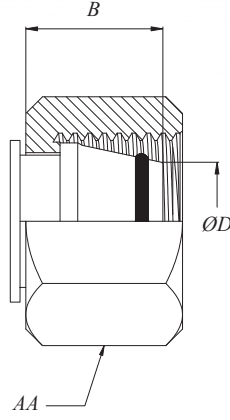
**METRİK ERKEK TAPA**  
METRIC BLANKING PLUG FOR TUBE ENDS



**METRİK ERKEK TAPA**  
METRIC BLANKING PLUG FOR TUBE ENDS

MALZEME KODU MATERIAL CODE	DIŞ ÖLÇÜSÜ THREAD SIZE	B	ØD	AA
<b>L TİPİ / L TYPE</b>				
RK-1206-MET-L	M12x1,5 6L	14	6	12
RK-1408-MET-L	M14x1,5 8L	15	8	14
RK-1610-MET-L	M16x1,5 10L	16	10	17
RK-1812-MET-L	M18x1,5 12L	17	12	19
RK-2215-MET-L	M22x1,5 15L	18	15	24
RK-2618-MET-L	M26x1,5 18L	19	18	27
RK-3022-MET-L	M30x2 22L	21	22	32
RK-3628-MET-L	M36x2 28L	22	28	41
RK-4535-MET-L	M45x2 35L	25	35	46
RK-5242-MET-L	M52x2 42L	27	42	55
<b>S TİPİ / S TYPE</b>				
RK-2012-MET-S	M20x1,5 12S	22	12	22
RK-2416-MET-S	M24x1,5 16S	24	16	27
RK-3020-MET-S	M30x2 20S	28	20	32
RK-3625-MET-S	M36x2 25S	32	25	41
RK-4230-MET-S	M42x2 30S	34	30	46
RK-5238-MET-S	M52x2 38S	39	38	55

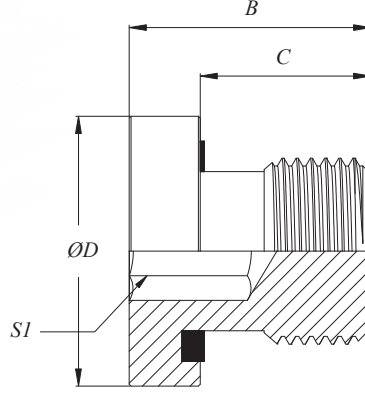
**METRİK SOMUNLU TAPA**  
METRIC PLUG WITH O-RING



**METRİK SOMUNLU TAPA**  
METRIC PLUG WITH O-RING

MALZEME KODU MATERIAL CODE	DIŞ ÖLÇÜSÜ THREAD SIZE	B	ØD	AA
<b>L TİPİ / L TYPE</b>				
RK-1206-MST-L	M12x1,5 6L	14	6	14
RK-1408-MST-L	M14x1,5 8L	13	8	17
RK-1610-MST-L	M16x1,5 10L	14,5	10	19
RK-1812-MST-L	M18x1,5 12L	14,5	12	22
RK-2215-MST-L	M22x1,5 15L	17	15	27
RK-2618-MST-L	M26x1,5 18L	16	18	32
RK-3022-MST-L	M30x2 22L	18	22	36
RK-3628-MST-L	M36x2 28L	17	28	41
RK-4535-MST-L	M45x2 35L	19,5	35	50
RK-5242-MST-L	M52x2 42L	21,5	42	60
<b>S TİPİ / S TYPE</b>				
RK-2012-MST-S	M20x1,5 12S	17	12	24
RK-2416-MST-S	M24x1,5 16S	17,5	16	30
RK-3020-MST-S	M30x2 20S	21	20	36
RK-3625-MST-S	M36x2 25S	20	25	46
RK-4230-MST-S	M42x2 30S	20	30	50
RK-5238-MST-S	M52x2 38S	23	38	60

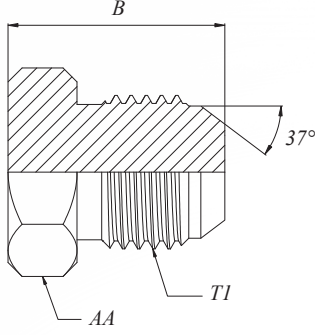
**METRİK PFX ALYANBAŞLI KÖRTAPA**  
**METRIC INTERNAL HEX PORT PLUG**



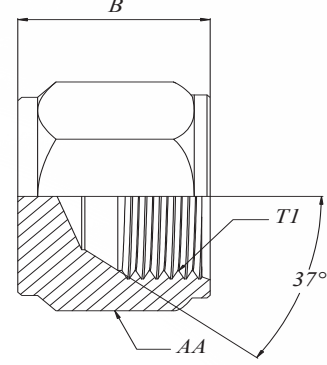
**METRİK PFX ALYANBAŞLI KÖRTAPA**  
**MALE METRIC THREAD WITH ELASTOMERIC SEAL (IN. HEX)**

MALZEME KODU MATERIAL CODE	DIŞ ÖLÇÜSÜ THREAD SIZE	B	C	ØD	S1
RK-1010-MAT	M10x1	12.3	8	14	5
RK-1215-MAT	M12x1,5	17.3	12	17	6
RK-1415-MAT	M14x1,5	17.3	12	19	6
RK-1615-MAT	M16x1,5	17.3	12	22	8
RK-1815-MAT	M18x1,5	17.3	12	24	8
RK-2015-MAT	M20x1,5	19.3	14	26	10
RK-2215-MAT	M22x1,5	19.3	14	27	10
RK-2615-MAT	M26x1,5	21.3	16	32	12

**UNF ERKEK TAPA**  
UNF MALE PLUG



**UNF KÖRSOMUN**  
UNF CAP



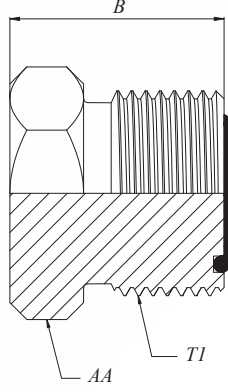
**UNF ERKEK TAPA**  
UNF MALE PLUG

MALZEME KODU MATERIAL CODE	DIŞ ÖLÇÜSÜ THREAD SIZE T1	B	AA
RK-1120-WET	7/16-20	20	12
RK-1320-WET	1/2-20	20	14
RK-1418-WET	9/16-18	21	17
RK-1618-WET	5/8-18	23	17
RK-1916-WET	3/4-16	24	19
RK-2214-WET	7/8-14	28	24
RK-2712-WET	1"1/16-12	32	27
RK-3312-WET	1"5/16-12	34	36
RK-4112-WET	1"5/8-12	37	46
RK-4712-WET	1"7/8-12	42	50

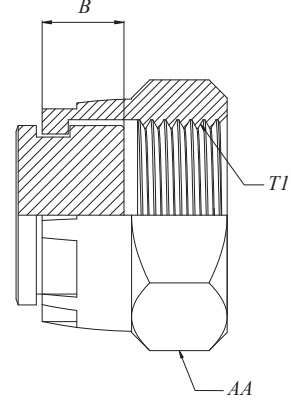
**UNF KÖRSOMUN**  
UNF CAP

MALZEME KODU MATERIAL CODE	DIŞ ÖLÇÜSÜ THREAD SIZE T1	B	AA
RK-1120-WST	7/16-20	15	14
RK-1320-WST	1/2-20	17	17
RK-1418-WST	9/16-18	19	19
RK-1618-WST	5/8-18	21	21
RK-1916-WST	3/4-16	19	22
RK-2214-WST	7/8-14	24.5	27
RK-2712-WST	1"1/16-12	23.5	32
RK-3312-WST	1"5/16-12	26	41
RK-4112-WST	1"5/8-12	27	50
RK-4712-WST	1"7/8-12	30	60

**ORFS ERKEK TAPA**  
ORFS MALE PLUG



**ORFS SOMUNLU TAPA**  
ORFS SWIVEL CAP

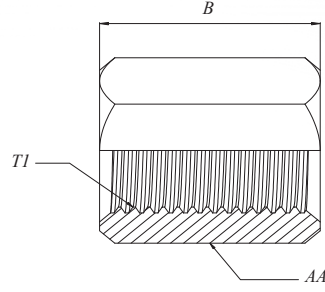


**ORFS ERKEK TAPA**  
ORFS MALE PLUG

MALZEME KODU MATERIAL CODE	DIŞ ÖLÇÜSÜ THREAD SIZE T1	B	AA
RK-1418-OET	9/16-18	16.5	17
RK-1716-OET	11/16-16	19	19
RK-2116-OET	13/16-16	22	22
RK-2514-OET	1"-14	26	27
RK-3012-OET	1"3/16-12	27.5	32
RK-3712-OET	1"7/16-12	28	41
RK-4312-OET	1"11/16-12	28	46

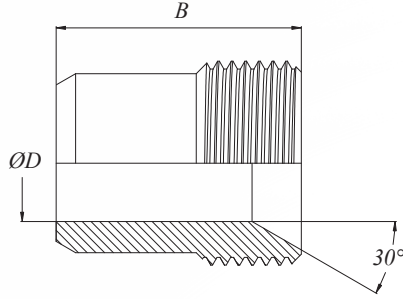
**ORFS SOMUNLU TAPA**  
ORFS SWIVEL CAP

MALZEME KODU MATERIAL CODE	DIŞ ÖLÇÜSÜ THREAD SIZE T1	B	AA
RK-1418-OST	9/16-18	6.5	19
RK-1716-OST	11/16-16	7.5	22
RK-2116-OST	13/16-16	9	24
RK-2514-OST	1"-14	10.5	30
RK-3012-OST	1"3/16-12	12	36
RK-3712-OST	1"7/16-12	13.5	41
RK-4312-OST	1"11/16-12	15	50

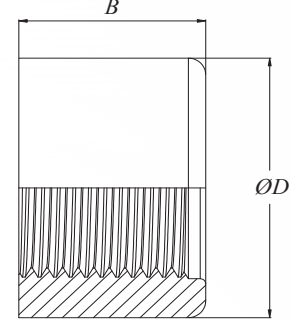
**BSP ALTIKÖŞE MAŞON**  
BSP FEMALE THREAD COUPLING**BSP ALTIKÖŞE MAŞON**  
BSP FEMALE THREAD COUPLING

MALZEME KODU MATERIAL CODE	DIŞ ÖLÇÜSÜ THREAD SIZE T1	B	AA
RK-1028-RAM	R1/8-28	19	14
RK-1319-RAM	R1/4-19	28	19
RK-1719-RAM	R3/8-19	28	22
RK-2114-RAM	R1/2-14	30	27
RK-2614-RAM	R3/4-14	35	32
RK-3311-RAM	R1"-11	42	41
RK-4211-RAM	R1"1/4-11	45	50
RK-4811-RAM	R1"1/2-11	47	55
RK-6011-RAM	R2"-11	55	70

**BSP ERKEK KAYNAKLIK NİPELİ**  
BSP MALE THREAD WELDING NIPPLE



**BSP KAYNAKLIK MANŞON**  
BSP FEMALE THREAD COUPLING FOR WELD



**BSP ERKEK KAYNAKLIK NİPELİ**  
BSP MALE THREAD WELDING NIPPLE

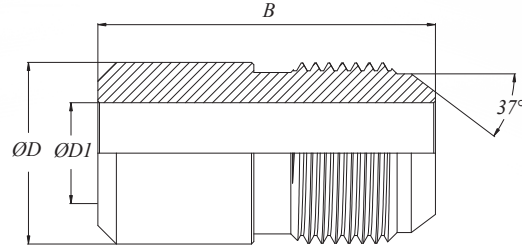
MALZEME KODU MATERIAL CODE	DIŞ ÖLÇÜSÜ THREAD SIZE	B	ØD
RK-1028-REK	R1/8-28	23	4.5
RK-1319-REK	R1/4-19	25	7
RK-1719-REK	R3/8-19	27	9
RK-2114-REK	R1/2-14	30	12
RK-2614-REK	R3/4-14	32	15
RK-3311-REK	R1"-11	35	20
RK-4211-REK	R1"1/4-11	40	28
RK-4811-REK	R1"1/2-11	44	32
RK-6011-REK	R2"-11	45	45
RK-7511-REK	R2"1/2-11	45	56.5
RK-8811-REK	R3"-11	45	67

**BSP KAYNAKLIK MANŞON**  
BSP FEMALE THREAD COUPLING FOR WELD

MALZEME KODU MATERIAL CODE	DIŞ ÖLÇÜSÜ THREAD SIZE	B	ØD
RK-1028-RKM	R1/8-28	14	19
RK-1319-RKM	R1/4-19	14	22
RK-1719-RKM	R3/8-19	14	26
RK-2114-RKM	R1/2-14	17	42
RK-2614-RKM	R3/4-14	20	40
RK-3311-RKM	R1"-11	23	45



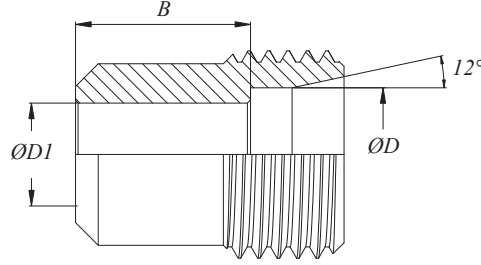
**UNF KAYNAKLIK NİPELİ**  
UNF MALE THREAD WELDING NIPPLE



**UNF KAYNAKLIK NİPELİ**  
UNF MALE THREAD WELDING NIPPLE

MALZEME KODU MATERIAL CODE	DIŞ ÖLÇÜSÜ THREAD SIZE	B	ØD	ØD1
RK-1320-WKN	1/2-20	28.5	13	6
RK-1418-WKN	9/16-18	33	14	7.5
RK-1618-WKN	5/8-18	35	16	8
RK-1916-WKN	3/4-16	40	19	10
RK-2214-WKN	7/8-14	40	22	12.5
RK-2712-WKN	1"1/16-12	50	27	15.5
RK-3312-WKN	1"5/16-12	55	33	21.5

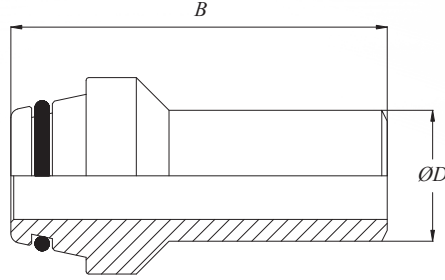
**METRİK KAYNAKLIK NİPELİ**  
METRIC MALE THREAD WELDING NIPPLE



**METRİK KAYNAKLIK NİPELİ**  
METRIC MALE THREAD WELDING NIPPLE

MALZEME KODU MATERIAL CODE	DIŞ ÖLÇÜSÜ THREAD SIZE	B	ØD	ØD1
<b>L TİPİ / L TYPE</b>				
RK-1206-MKN-L	M12x1,5 6L	10	6	4
RK-1408-MKN-L	M14x1,5 8L	11.5	8	6
RK-1610-MKN-L	M16x1,5 10L	13.5	10	8
RK-1812-MKN-L	M18x1,5 12L	18	12	10
RK-2215-MKN-L	M22x1,5 15L	21	15	12
RK-2618-MKN-L	M26x1,5 18L	20.5	18	15
RK-3022-MKN-L	M30x2 22L	21.5	22	19
RK-3628-MKN-L	M36x2 28L	25	28	24
RK-4535-MKN-L	M45x2 35L	29.5	35	30
RK-5242-MKN-L	M52x2 42L	28	42	36
<b>S TİPİ / S TYPE</b>				
RK-2012-MKN-S	M20x1,5 12S	18.5	12	8
RK-2416-MKN-S	M24x1,5 16S	19.5	16	12
RK-3020-MKN-S	M30x2 20S	21.5	20	16
RK-3625-MKN-S	M36x2 25S	24.5	25	20
RK-4230-MKN-S	M42x2 30S	26.5	30	25
RK-5238-MKN-S	M52x2 38S	29	38	32

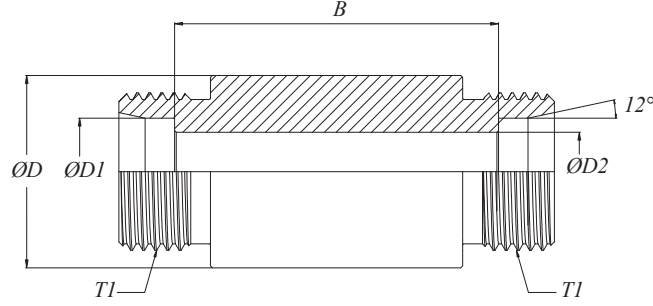
**METRİK KAYNAKLIK KUYRUKLU YÜKSÜK**  
METRIC WELD-ON NIPPLE



**METRİK KAYNAKLIK KUYRUKLU YÜKSÜK**  
METRIC WELD-ON NIPPLE

MALZEME KODU MATERIAL CODE	DIŞ ÖLÇÜSÜ THREAD SIZE	B	ØD
<b>L TİPİ / L TYPE</b>			
RK-1206-MKY-L	M12x1,5 6L	30.5	6
RK-1408-MKY-L	M14x1,5 8L	31	8
RK-1610-MKY-L	M16x1,5 10L	32	10
RK-1812-MKY-L	M18x1,5 12L	32	12
RK-2215-MKY-L	M22x1,5 15L	33	15
RK-2618-MKY-L	M26x1,5 18L	37	18
RK-3022-MKY-L	M30x2 22L	37	22
RK-3628-MKY-L	M36x2 28L	42	28
RK-4535-MKY-L	M45x2 35L	47	35
RK-5242-MKY-L	M52x2 42L	48	42
<b>S TİPİ / S TYPE</b>			
RK-1406-MKY-S	M14x1,5 6S	30.5	6
RK-1608-MKY-S	M16x1,5 8S	31	8
RK-1810-MKY-S	M18x1,5 10S	32	10
RK-2012-MKY-S	M20x1,5 12S	32	12
RK-2416-MKY-S	M24x1,5 16S	39	16
RK-3020-MKY-S	M30x2 20S	44	20
RK-3625-MKY-S	M36x2 25S	50	25
RK-4230-MKY-S	M42x2 30S	52.5	30
RK-5238-MKY-S	M52x2 38S	58	38

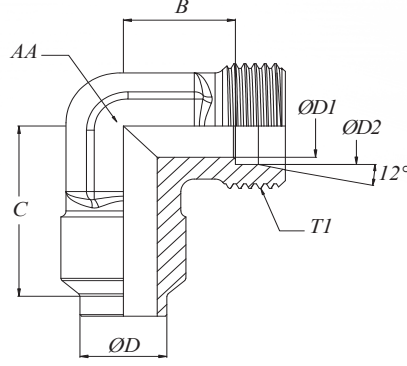
**METRİK KAYNAKLIK PERDE GEÇİŞ NİPELİ**  
METRIC WELD-IN BULKHEAD STRAIGHT CONNECTOR



**METRİK KAYNAKLIK PERDE GEÇİŞ NİPELİ**  
METRIC WELD-IN BULKHEAD STRAIGHT CONNECTOR

MALZEME KODU MATERIAL CODE	DİŞ ÖLÇÜSÜ THREAD SIZE T1	B	ØD	ØD1	ØD2
<b>L TİPİ / L TYPE</b>					
RK-0606-MKPGN-L	M12x1,5 6L	56	18	6	4
RK-0808-MKPGN-L	M14x1,5 8L	56	20	8	6
RK-1010-MKPGN-L	M16x1,5 10L	58	22	10	8
RK-1212-MKPGN-L	M18x1,5 12L	58	25	12	10
RK-1515-MKPGN-L	M22x1,5 15L	70	28	15	12
RK-1818-MKPGN-L	M26x1,5 18L	69	32	18	15
RK-2222-MKPGN-L	M30x2 22L	73	36	22	19
RK-2828-MKPGN-L	M36x2 28L	73	40	28	24
RK-3535-MKPGN-L	M45x2 35L	71	50	35	30
RK-4242-MKPGN-L	M52x2 42L	70	60	42	36
<b>S TİPİ / S TYPE</b>					
RK-0606-MKPGN-S	M14x1,5 6S	60	20	6	4
RK-0808-MKPGN-S	M16x1,5 8S	50	22	8	5
RK-1010-MKPGN-S	M18x1,5 10S	59	25	10	7
RK-1212-MKPGN-S	M20x1,5 12S	59	28	12	8
RK-1616-MKPGN-S	M24x1,5 16S	71	35	16	12
RK-2020-MKPGN-S	M30x2 20S	71	38	20	16
RK-2525-MKPGN-S	M36x2 25S	72	45	25	20
RK-3030-MKPGN-S	M42x2 30S	73	50	30	25
RK-3838-MKPGN-S	M52x2 38S	72	60	38	32

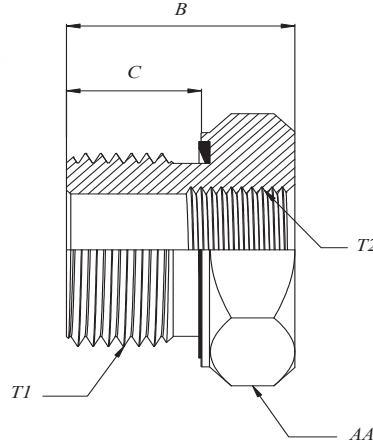
**METRİK KAYNAKLIK DİRSEK**  
METRIC WELD ELBOW



**METRİK KAYNAKLIK DİRSEK**  
METRIC WELD ELBOW

MALZEME KODU MATERIAL CODE	DİŞ ÖLÇÜSÜ THREAD SIZE T1	B	C	ØD	ØD1	ØD2	AA
<b>L TİPİ / L TYPE</b>							
RK-1206-MKD-L	M12x1,5 6L	12	21.5	6	4	6	12
RK-1408-MKD-L	M14x1,5 8L	14	22	8	6	8	12
RK-1610-MKD-L	M16x1,5 10L	15	23	10	8	10	14
RK-1812-MKD-L	M18x1,5 12L	17	25.5	12	10	12	17
RK-2215-MKD-L	M22x1,5 15L	21	29	15	12	15	19
RK-2618-MKD-L	M26x1,5 18L	23.5	32.5	18	15	18	24
RK-3022-MKD-L	M30x2 22L	27.5	37	22	19	22	27
RK-3628-MKD-L	M36x2 28L	30.5	40	28	24	28	36
RK-4535-MKD-L	M45x2 35L	34.5	44	35	30	35	41
RK-5242-MKD-L	M52x2 42L	40	54.5	42	36	42	50
<b>S TİPİ / S TYPE</b>							
RK-2012-MKD-S	M20x1,5 12S	21.5	26.5	12	8	12	17
RK-2416-MKD-S	M24x1,5 16S	24.5	31	16	12	16	24
RK-3020-MKD-S	M30x2 20S	26.5	38	20	16	20	27
RK-3625-MKD-S	M36x2 25S	30	41	25	20	25	36
RK-4230-MKD-S	M42x2 30S	35.5	44.5	30	25	30	41
RK-5238-MKD-S	M52x2 38S	41	55	38	32	38	50

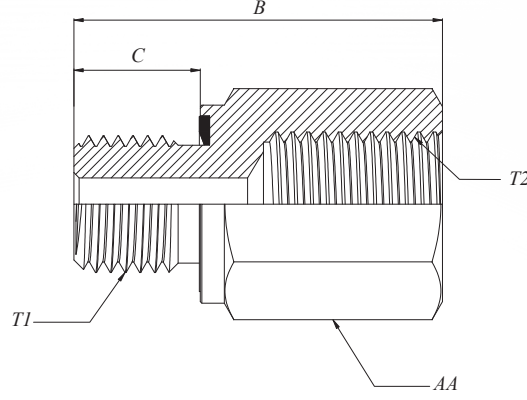
**BSP KISA PFX REDİKSİYON**  
BSP THREAD REDUCER



**BSP KISA PFX REDİKSİYON**  
MALE BSP THREAD WITH ELASTOMERIC SEAL - FEMALE BSP THREAD

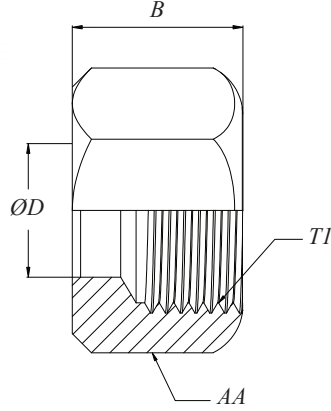
MALZEME KODU MATERIAL CODE	DİŞ ÖLÇÜSÜ THREAD SIZE T1	DİŞ ÖLÇÜSÜ THREAD SIZE T2	B	C	AA
RK-1310-KRD	R1/4-19	R1/8-28	20	12	19
RK-1710-KRD	R3/8-19	R1/8-28	20.5	12	22
RK-1713-KRD	R3/8-19	R1/4-19	20.5	12	22
RK-2113-KRD	R1/2-14	R1/4-19	24	14	27
RK-2117-KRD	R1/2-14	R3/8-19	24	14	27
RK-2613-KRD	R3/4-14	R1/4-19	27	16	32
RK-2617-KRD	R3/4-14	R3/8-19	27	16	32
RK-2621-KRD	R3/4-14	R1/2-14	27	16	32
RK-3321-KRD	R1"-11	R1/2-14	30	18	41
RK-3326-KRD	R1"-11	R3/4-14	30	18	41
RK-4226-KRD	R1"1/4-11	R3/4-14	33.5	20	50
RK-4233-KRD	R1"1/4-11	R1"-11	33.5	20	50
RK-4833-KRD	R1"1/2-11	R1"-11	36	22	55
RK-4842-KRD	R1"1/2-11	R1"1/4-11	36	22	55
RK-6042-KRD	R2"-11	R1"1/4-11	42	24	70
RK-6048-KRD	R2"-11	R1"1/2-11	42	24	70

**BSP UZUN PFX REDİKSİYON**  
BSP THREAD EXPANDER



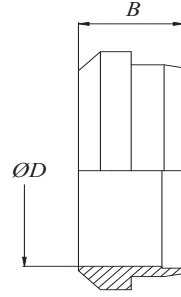
**BSP UZUN PFX REDİKSİYON**  
MALE BSP THREAD WITH ELASTOMERIC SEAL - FEMALE BSP THREAD

MALZEME KODU MATERIAL CODE	DİŞ ÖLÇÜSÜ THREAD SIZE T1	DİŞ ÖLÇÜSÜ THREAD SIZE T2	B	C	AA
RK-1010-URD	R1/8-28	R1/8-28	23	8	14
RK-1013-URD	R1/8-28	R1/4-19	31	8	19
RK-1310-URD	R1/4-19	R1/8-28	28	12	19
RK-1313-URD	R1/4-19	R1/4-19	35	12	19
RK-1317-URD	R1/4-19	R3/8-19	36	12	24
RK-1321-URD	R1/4-19	R1/2-14	40	12	30
RK-1713-URD	R3/8-19	R1/4-19	36	12	22
RK-1717-URD	R3/8-19	R3/8-19	36	12	22
RK-1721-URD	R3/8-19	R1/2-14	41	12	30
RK-1726-URD	R3/8-19	R3/4-14	44	12	36
RK-2117-URD	R1/2-14	R3/8-19	36	14	27
RK-2121-URD	R1/2-14	R1/2-14	39	14	27
RK-2126-URD	R1/2-14	R3/4-14	46	14	36
RK-2133-URD	R1/2-14	R1"-11	49	14	41
RK-2621-URD	R3/4-14	R1/2-14	41	16	32
RK-2626-URD	R3/4-14	R3/4-14	43.5	16	36
RK-2633-URD	R3/4-14	R1"-11	51	16	41
RK-2642-URD	R3/4-14	R1"1/4-11	55	16	55
RK-3326-URD	R1"-11	R3/4-14	47	18	41
RK-3342-URD	R1"-11	R1"1/4-11	57	18	55
RK-3348-URD	R1"-11	R1"1/2-11	59	18	60
RK-4233-URD	R1"1/4-11	R1"-11	52	20	50
RK-4248-URD	R1"1/4-11	R1"1/2-11	60	20	60
RK-4842-URD	R1"1/2-11	R1"1/4-11	58	22	55

**METRİK BORU SOMUNU**  
**METRIC TUBE NUT**

**METRİK BORU SOMUNU**  
**METRIC TUBE NUT**

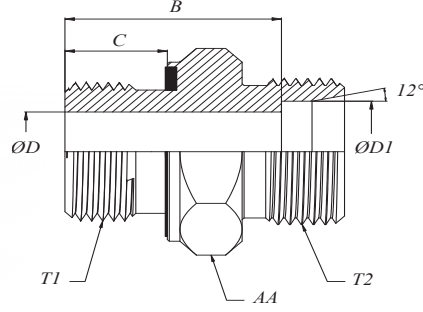
MALZEME KODU MATERIAL CODE	SOMUN ÖLÇÜSÜ NUT SIZE T1	BORU ÇAPI TUBE OD ØD	B	AA
<b>L TİPİ / L TYPE</b>				
RK-0106-BS-LL	M10x1 6LL	6	12	12
RK-0108-BS-LL	M12x1 8LL	8	12.5	14
RK-0106-BS-L	M12x1,5 6L	6	15	14
RK-0108-BS-L	M14x1,5 8L	8	15	17
RK-0110-BS-L	M16x1,5 10L	10	16	19
RK-0112-BS-L	M18x1,5 12L	12	16	22
RK-0115-BS-L	M22x1,5 15L	15	17.5	27
RK-0118-BS-L	M26x1,5 18L	18	18.5	32
RK-0122-BS-L	M30x2 22L	22	20.5	36
RK-0128-BS-L	M36x2 28L	28	21	41
RK-0135-BS-L	M45x2 35L	35	24	50
RK-0142-BS-L	M52x2 42L	42	25.5	60
<b>S TİPİ / S TYPE</b>				
RK-0206-BS-S	M14x1,5 6S	6	17	17
RK-0208-BS-S	M16x1,5 8S	8	17	19
RK-0210-BS-S	M18x1,5 10S	10	18	22
RK-0212-BS-S	M20x1,5 12S	12	18.5	24
RK-0214-BS-S	M22x1,5 14S	14	21	27
RK-0216-BS-S	M24x1,5 16S	16	21	30
RK-0220-BS-S	M30x2 20S	20	24.5	36
RK-0225-BS-S	M36x2 25S	25	27	46
RK-0230-BS-S	M42x2 30S	30	29	50
RK-0238-BS-S	M52x2 38S	38	32.5	60



**ÇELİK YÜKSÜKLER**  
**CUTTING RING**


<b>ÇELİK YÜKSÜKLER</b> <b>CUTTING RING</b>		
<b>MALZEME KODU</b> MATERIAL CODE	<b>BORU ÇAPI</b> TUBE OD ØD	<b>B</b>
<b>L TİPİ / L TYPE</b>		
RK-0106-ÇY-LL	6	7
RK-0108-ÇY-LL	8	7
RK-0106-ÇY	6	9.5
RK-0108-ÇY	8	9.5
RK-0110-ÇY	10	10
RK-0112-ÇY	12	10
RK-0115-ÇY	15	10
RK-0118-ÇY	18	10
RK-0122-ÇY	22	11.5
RK-0128-ÇY	28	11.5
RK-0135-ÇY	35	13.5
RK-0142-ÇY	42	13.5
<b>S TİPİ / S TYPE</b>		
RK-0216-ÇY	16	10.5
RK-0220-ÇY	20	12.5
RK-0225-ÇY	25	12.5
RK-0230-ÇY	30	13.5
RK-0238-ÇY	38	13.5

**BSP METRİK PFX NİPELLER**  
BSP METRIC NIPPLES WITH ELASTOMERIC SEAL

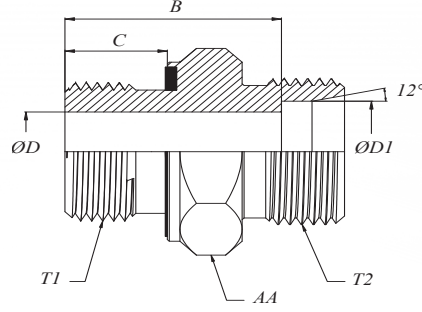


**BSP METRİK PFX NİPELLER**  
BSP METRIC NIPPLES WITH ELASTOMERIC SEAL

**L TİPİ / L TYPE**

MALZEME KODU MATERIAL CODE	DIŞ ÖLÇÜSÜ THREAD SIZE T1	DIŞ ÖLÇÜSÜ THREAD SIZE T2	B	C	ØD	ØD1	AA
RK-1006-RMNP-LL	R1/8-28	M10x1 6LL	16	8	4.5	6	14
RK-1006-RMNP-L	R1/8-28	M12x1,5 6L	16.5	8	4	6	14
RK-1008-RMNP-L	R1/8-28	M14x1,5 8L	17.5	8	4	8	14
RK-1010-RMNP-L	R1/8-28	M16x1,5 10L	19.5	8	4	10	17
RK-1306-RMNP-L	R1/4-19	M12x1,5 6L	22	12	4	6	19
RK-1308-RMNP-L	R1/4-19	M14x1,5 8L	22	12	6	8	19
RK-1310-RMNP-L	R1/4-19	M16x1,5 10L	23	12	6	10	19
RK-1312-RMNP-L	R1/4-19	M18x1,5 12L	24	12	6	12	19
RK-1706-RMNP-L	R3/8-19	M12x1,5 6L	23.5	12	4	6	22
RK-1708-RMNP-L	R3/8-19	M14x1,5 8L	23.5	12	6	8	22
RK-1710-RMNP-L	R3/8-19	M16x1,5 10L	24.5	12	8	10	22
RK-1712-RMNP-L	R3/8-19	M18x1,5 12L	24.5	12	9	12	22
RK-1715-RMNP-L	R3/8-19	M22x1,5 15L	25.5	12	9	15	24
RK-2106-RMNP-L	R1/2-14	M12x1,5 6L	26	14	4	6	27
RK-2108-RMNP-L	R1/2-14	M14x1,5 8L	26	14	6	8	27
RK-2110-RMNP-L	R1/2-14	M16x1,5 10L	27	14	8	10	27
RK-2112-RMNP-L	R1/2-14	M18x1,5 12L	27	14	10	12	27
RK-2115-RMNP-L	R1/2-14	M22x1,5 15L	28	14	12	15	27
RK-2118-RMNP-L	R1/2-14	M26x1,5 18L	28.5	14	13	18	27
RK-2122-RMNP-L	R1/2-14	M30x2 22L	30.5	14	13	22	32
RK-2612-RMNP-L	R3/4-14	M18x1,5 12L	30	16	10	12	32
RK-2615-RMNP-L	R3/4-14	M22x1,5 15L	31	16	12	15	32
RK-2618-RMNP-L	R3/4-14	M26x1,5 18L	30.5	16	15	18	32
RK-2622-RMNP-L	R3/4-14	M30x2 22L	32.5	16	18	22	32
RK-2628-RMNP-L	R3/4-14	M36x2 28L	33.5	16	18	28	41
RK-3322-RMNP-L	R1"-11	M30x2 22L	35.5	18	19	22	41
RK-3328-RMNP-L	R1"-11	M36x2 28L	35.5	18	23	28	41
RK-3335-RMNP-L	R1"-11	M45x2 35L	35.5	18	23	35	46
RK-4228-RMNP-L	R1"1/4-11	M36x2 28L	38.5	20	24	28	50
RK-4235-RMNP-L	R1"1/4-11	M45x2 35L	37.5	20	30	35	50
RK-4242-RMNP-L	R1"1/4-11	M52x2 42L	39	20	30	42	55
RK-4835-RMNP-L	R1"1/2-11	M45x2 35L	41.5	22	30	35	55
RK-4842-RMNP-L	R1"1/2-11	M52x2 42L	41	22	36	42	55

**BSP METRİK PFX NİPELLER**  
BSP METRIC NIPPLES WITH ELASTOMERIC SEAL

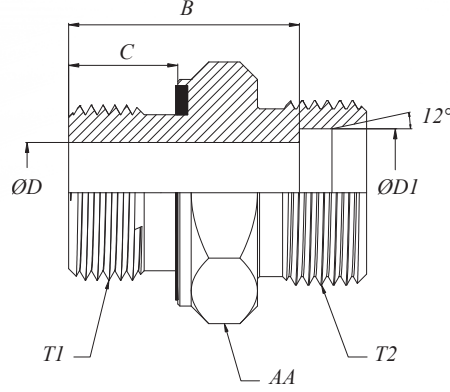


**BSP METRİK PFX NİPELLER**  
BSP METRIC NIPPLES WITH ELASTOMERIC SEAL

**S TİPİ / S TYPE**

MALZEME KODU MATERIAL CODE	DIŞ ÖLÇÜSÜ THREAD SIZE T1	DIŞ ÖLÇÜSÜ THREAD SIZE T2	B	C	ØD	ØD1	AA
RK-1006-RMNP-S	R1/8-28	M14x1,5 6S	20.5	8	4	6	14
RK-1008-RMNP-S	R1/8-28	M16x1,5 8S	21.5	8	4	8	17
RK-1306-RMNP-S	R1/4-19	M14x1,5 6S	25	12	4	6	19
RK-1308-RMNP-S	R1/4-19	M16x1,5 8S	27	12	5	8	19
RK-1310-RMNP-S	R1/4-19	M18x1,5 10S	26.5	12	5	10	19
RK-1312-RMNP-S	R1/4-19	M20x1,5 12S	28.5	12	6	12	22
RK-1708-RMNP-S	R3/8-19	M16x1,5 8S	27.5	12	5	8	22
RK-1710-RMNP-S	R3/8-19	M18x1,5 10S	27	12	7	10	22
RK-1712-RMNP-S	R3/8-19	M20x1,5 12S	29	12	8	12	22
RK-1716-RMNP-S	R3/8-19	M24x1,5 16S	30	12	8	16	27
RK-1720-RMNP-S	R3/8-19	M30x2 20S	35	12	9	20	32
RK-2108-RMNP-S	R1/2-14	M16x1,5 8S	32	14	5	8	27
RK-2110-RMNP-S	R1/2-14	M18x1,5 10S	31.5	14	7	10	27
RK-2112-RMNP-S	R1/2-14	M20x1,5 12S	31.5	14	8	12	27
RK-2116-RMNP-S	R1/2-14	M24x1,5 16S	32.5	14	12	16	27
RK-2120-RMNP-S	R1/2-14	M30x2 20S	34.5	14	12	20	32
RK-2125-RMNP-S	R1/2-14	M36x2 25S	41	14	12	25	36
RK-2612-RMNP-S	R3/4-14	M20x1,5 12S	36	16	8	12	32
RK-2616-RMNP-S	R3/4-14	M24x1,5 16S	36.5	16	12	16	32
RK-2620-RMNP-S	R3/4-14	M30x2 20S	36.5	16	16	20	32
RK-2625-RMNP-S	R3/4-14	M36x2 25S	39	16	16	25	41
RK-2630-RMNP-S	R3/4-14	M42x2 30S	39.5	16	16	30	46
RK-3312-RMNP-S	R1"-11	M20x1,5 12S	39	18	8	12	41
RK-3316-RMNP-S	R1"-11	M24x1,5 16S	38.5	18	12	16	41
RK-3312-RMNP-S	R1"-11	M30x2 20S	40.5	18	16	20	41
RK-3325-RMNP-S	R1"-11	M36x2 25S	41	18	20	25	41
RK-3330-RMNP-S	R1"-11	M42x2 30S	41.5	18	20	30	46
RK-3338-RMNP-S	R1"-11	M52x2 38S	41	18	20	38	55
RK-4220-RMNP-S	R1"1/4-11	M30x2 20S	42.5	20	16	20	50
RK-4225-RMNP-S	R1"1/4-11	M36x2 25S	43	20	20	25	50
RK-4230-RMNP-S	R1"1/4-11	M42x2 30S	43.5	20	25	30	50
RK-4238-RMNP-S	R1"1/4-11	M52x2 38S	46	20	25	38	55
RK-4825-RMNP-S	R1"1/2-11	M36x2 25S	46	22	20	25	55
RK-4830-RMNP-S	R1"1/2-11	M42x2 30S	48.5	22	25	30	55
RK-4838-RMNP-S	R1"1/2-11	M52x2 38S	48	22	32	38	55

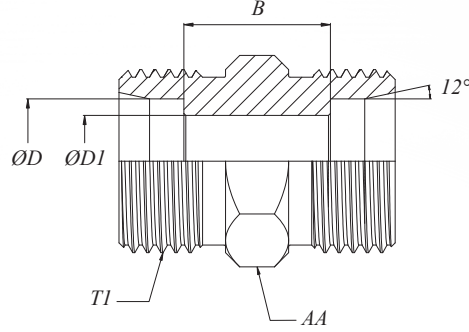
**METRİK BLOK PFX - METRİK 24° HAVŞALI NİPEL**  
**MALE METRIC WITH ELASTOMERIC SEAL - METRIC 24° CONE NIPPLE**



**METRİK BLOK PFX - METRİK 24° HAVŞALI NİPEL**  
**MALE METRIC WITH ELASTOMERIC SEAL - METRIC 24° CONE NIPPLE**

MALZEME KODU MATERIAL CODE	DIŞ ÖLÇÜSÜ THREAD SIZE T1	DIŞ ÖLÇÜSÜ THREAD SIZE T2	B	C	ØD	ØD1	AA
<b>L TİPİ / L TYPE</b>							
RK-1206-MMBN	M12x1,5	M12x1,5 6L	22	12	4	6	17
RK-1208-MMBN	M12x1,5	M14x1,5 8L	22	12	6	8	17
RK-1408-MMBN	M14x1,5	M14x1,5 8L	22	12	6	8	19
RK-1410-MMBN	M14x1,5	M16x1,5 10L	23	12	7	10	19
RK-1412-MMBN	M14x1,5	M18x1,5 12L	24	12	7	12	19
RK-1608-MMBN	M16x1,5	M14x1,5 8L	23.5	12	6	8	22
RK-1610-MMBN	M16x1,5	M16x1,5 10L	24.5	12	8	10	22
RK-1612-MMBN	M16x1,5	M18x1,5 12L	24.5	12	9	12	22
RK-1810-MMBN	M18x1,5	M16x1,5 10L	24.5	12	8	10	24
RK-1812-MMBN	M18x1,5	M18x1,5 12L	24.5	12	10	12	24
RK-1815-MMBN	M18x1,5	M22x1,5 15L	25.5	12	11	15	24
RK-2208-MMBN	M22x1,5	M14x1,5 8L	26.5	14	6	8	27
RK-2210-MMBN	M22x1,5	M16x1,5 10L	27.5	14	8	10	27
RK-2212-MMBN	M22x1,5	M18x1,5 12L	27.5	14	10	12	27
RK-2215-MMBN	M22x1,5	M22x1,5 15L	29	14	12	15	27
RK-2218-MMBN	M22x1,5	M26x1,5 18L	28.5	14	14	18	27
<b>S TİPİ / S TYPE</b>							
RK-1812-MMBN-S	M18x1,5	M20x1,5 12S	29	12	8	12	24
RK-2216-MMBN	M22x1,5	M24x1,5 16S	32.5	14	12	16	27

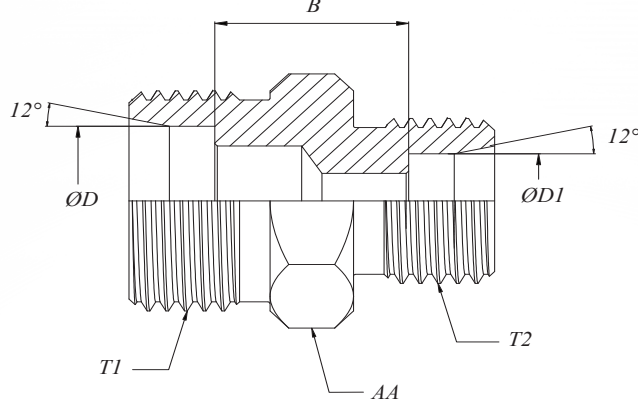
**METRİK 24° ARA NİPELİ**  
METRIC 24° STRAIGHT UNION CONNECTOR



**METRİK 24° ARA NİPELİ**  
METRIC 24° STRAIGHT UNION CONNECTOR

MALZEME KODU MATERIAL CODE	DIŞ ÖLÇÜSÜ THREAD SIZE T1	DIŞ ÖLÇÜSÜ THREAD SIZE T1	B	ØD	ØD1	AA
<b>L TİPİ / L TYPE</b>						
RK-0606-MMN-LL	M10x1 6LL	M10x1 6LL	9	6	4.5	11
RK-0606-MMN-L	M12x1,5 6L	M12x1,5 6L	10	6	4	12
RK-0808-MMN-L	M14x1,5 8L	M14x1,5 8L	11	8	6	14
RK-1010-MMN-L	M16x1,5 10L	M16x1,5 10L	13	10	8	17
RK-1212-MMN-L	M18x1,5 12L	M18x1,5 12L	14	12	10	19
RK-1515-MMN-L	M22x1,5 15L	M22x1,5 15L	16	15	12	24
RK-1818-MMN-L	M26x1,5 18L	M26x1,5 18L	16	18	15	27
RK-2222-MMN-L	M30x2 22L	M30x2 22L	20	22	19	32
RK-2828-MMN-L	M36x2 28L	M36x2 28L	21	28	24	41
RK-3535-MMN-L	M45x2 35L	M45x2 35L	20	35	30	46
RK-4242-MMN-L	M52x2 42L	M52x2 42L	21	42	36	55
<b>S TİPİ / S TYPE</b>						
RK-0606-MMN-S	M14x1,5 6S	M14x1,5 6S	16	6	4	14
RK-0808-MMN-S	M16x1,5 8S	M16x1,5 8S	18	8	5	17
RK-1010-MMN-S	M18x1,5 10S	M18x1,5 10S	17	10	7	19
RK-1212-MMN-S	M20x1,5 12S	M20x1,5 12S	19	12	8	22
RK-1616-MMN-S	M24x1,5 16S	M24x1,5 16S	21	16	12	27
RK-2020-MMN-S	M30x2 20S	M30x2 20S	23	20	16	32
RK-2525-MMN-S	M36x2 25S	M36x2 25S	26	25	20	41
RK-3030-MMN-S	M42x2 30S	M42x2 30S	27	30	25	46
RK-3838-MMN-S	M52x2 38S	M52x2 38S	29	38	32	55

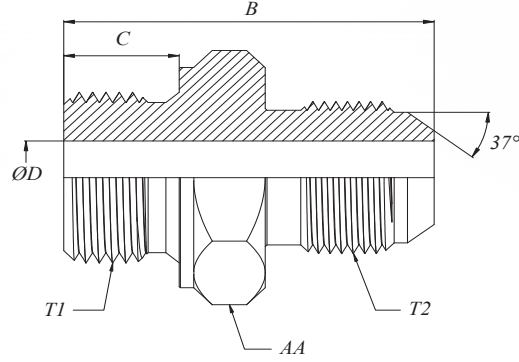
**METRİK ORANTI NİPELİ**  
METRIC STRAIGHT REDUCER



**METRİK 24° ORANTI NİPELİ**  
METRIC 24° STRAIGHT REDUCER

MALZEME KODU MATERIAL CODE	DIŞ ÖLÇÜSÜ THREAD SIZE T1	DIŞ ÖLÇÜSÜ THREAD SIZE T2	B	ØD	ØD1	AA
<b>L TİPİ / L TYPE</b>						
RK-0806-MMON-L	M14x1,5 8L	M12x1,5 6L	11	8	6	14
RK-1006-MMON-L	M16x1,5 10L	M12x1,5 6L	12	10	6	17
RK-1008-MMON-L	M16x1,5 10L	M14x1,5 8L	12	10	8	17
RK-1206-MMON-L	M18x1,5 12L	M12x1,5 6L	13	12	6	19
RK-1208-MMON-L	M18x1,5 12L	M14x1,5 8L	13	12	8	19
RK-1210-MMON-L	M18x1,5 12L	M16x1,5 10L	14	12	10	19
RK-1510-MMON-L	M22x1,5 15L	M16x1,5 10L	15	15	10	24
RK-1512-MMON-L	M22x1,5 15L	M18x1,5 12L	15	15	12	24
RK-1810-MMON-L	M26x1,5 18L	M16x1,5 10L	15.5	18	10	27
RK-1812-MMON-L	M26x1,5 18L	M18x1,5 12L	15.5	18	12	27
RK-1815-MMON-L	M26x1,5 18L	M22x1,5 15L	16.5	18	15	27
RK-2212-MMON-L	M30x2 22L	M18x1,5 12L	20	22	12	32
RK-2215-MMON-L	M30x2 22L	M22x1,5 15L	19	22	15	32
<b>S TİPİ / S TYPE</b>						
RK-1612-MMON-S	M24x1,5 16S	M20x1,5 12S	20	16	12	27
RK-2016-MMON-S	M30x2 20S	M24x1,5 16S	23	20	16	32
RK-2516-MMON-S	M36x2 25S	M24x1,5 16S	25.5	25	16	41
RK-2520-MMON-S	M36x2 25S	M30x2 20S	25.5	25	20	41
RK-3016-MMON-S	M42x2 30S	M24x1,5 16S	26	30	16	46
RK-3020-MMON-S	M42x2 30S	M30x2 20S	26	30	20	46
RK-3025-MMON-S	M42x2 30S	M36x2 25S	26.5	30	25	46

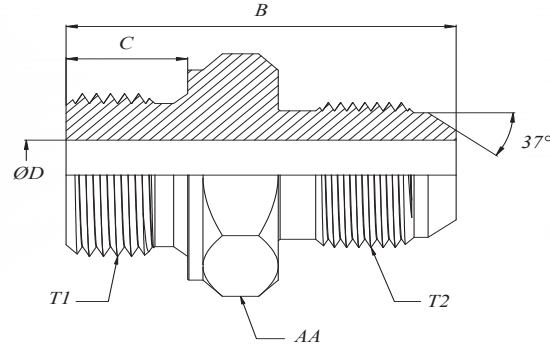
**METRİK BLOK - UNF NİPEL**  
METRIC - UNF NIPPLE



**METRİK BLOK - UNF 37° PUL SIKMALI NİPEL**  
METRIC METAL SEALING EDGE - UNF 37° FLARE NIPPLE

MALZEME KODU MATERIAL CODE	DİŞ ÖLÇÜSÜ THREAD SIZE T1	DİŞ ÖLÇÜSÜ THREAD SIZE T2	B	C	ØD	AA
RK-1616-MWN	M16x1,5	5/8-18	37	12	8	22
RK-1619-MWN	M16x1,5	3/4-16	37.5	12	9	22
RK-1819-MWN	M18x1,5	3/4-16	38	12	10	24
RK-2216-MWN	M22x1,5	5/8-18	39.5	14	8	27
RK-2219-MWN	M22x1,5	3/4-16	40	14	10	27

**BSP BLOK - UNF NİPEL**  
BSP - UNF NIPPLE

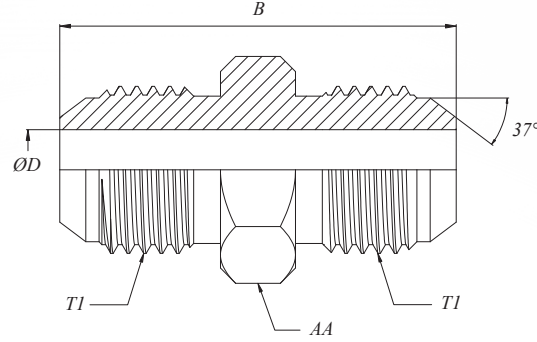


**BSP - UNF PUL SIKMALI NİPEL**  
BSP METAL SEALING EDGE - UNF 37° FLARE NIPPLE

MALZEME KODU MATERIAL CODE	DİŞ ÖLÇÜSÜ THREAD SIZE T1	DİŞ ÖLÇÜSÜ THREAD SIZE T2	B	C	ØD	AA
RK-1011-RWN	R1/8-28	7/16-20	29.5	8	4	14
RK-1311-RWN	R1/4-19	7/16-20	34	12	4.5	19
RK-1312-RWN	R1/4-19	1/2-20	34	12	6	19
RK-1314-RWN	R1/4-19	9/16-18	34.5	12	7	19
RK-1316-RWN	R1/4-19	5/8-18	36.5	12	6	19
RK-1319-RWN	R1/4-19	3/4-16	37	12	6	19
RK-1711-RWN	R3/8-19	7/16-20	34.5	12	4.5	22
RK-1712-RWN	R3/8-19	1/2-20	34.5	12	6	22
RK-1714-RWN	R3/8-19	9/16-18	34.5	12	7.5	22
RK-1716-RWN	R3/8-19	5/8-18	36.5	12	8	22
RK-1719-RWN	R3/8-19	3/4-16	37.5	12	9	22
RK-1722-RWN	R3/8-19	7/8-14	40	12	9	22
RK-2112-RWN	R1/2-14	1/2-20	38	14	6	27
RK-2114-RWN	R1/2-14	9/16-18	38	14	7.5	27
RK-2116-RWN	R1/2-14	5/8-18	40	14	8	27
RK-2119-RWN	R1/2-14	3/4-16	41	14	10	27
RK-2122-RWN	R1/2-14	7/8-14	43.5	14	12	27
RK-2127-RWN	R1/2-14	1"1/16-12	46.5	14	12	27
RK-2619-RWN	R3/4-14	3/4-16	43	16	10	32
RK-2622-RWN	R3/4-14	7/8-14	45.5	16	12.5	32
RK-2627-RWN	R3/4-14	1"1/16-12	50	16	15.5	32
RK-2633-RWN	R3/4-14	1"5/16-12	51	16	16	36
RK-3327-RWN	R1"-11	1"1/16-12	53	18	15.5	41
RK-3333-RWN	R1"-11	1"5/16-12	54	18	21.5	41
RK-4233-RWN	R1"1/4-11	1"5/16-12	58	20	21.5	50
RK-4241-RWN	R1"1/4-11	1"5/8-12	59	20	27.5	50
RK-4847-RWN	R1"1/2-11	1"7/8-12	66	22	33.5	55

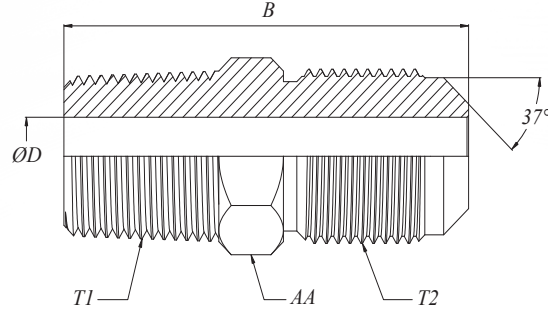


**UNF ARA NİPELİ**  
UNF STRAIGHT UNION CONNECTOR



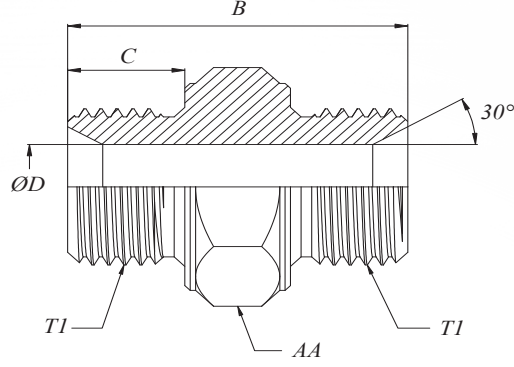
**UNF ARA NİPELİ**  
UNF STRAIGHT UNION CONNECTOR

MALZEME KODU MATERIAL CODE	DİŞ ÖLÇÜSÜ THREAD SIZE T1	DİŞ ÖLÇÜSÜ THREAD SIZE T1	B	ØD	AA
RK-1111-WWN	7/16-20	7/16-20	35	4.5	12
RK-1212-WWN	1/2-20	1/2-20	35	6	14
RK-1414-WWN	9/16-18	9/16-18	35.5	7.5	17
RK-1616-WWN	5/8-18	5/8-18	39	8	17
RK-1919-WWN	3/4-16	3/4-16	41	10	19
RK-2222-WWN	7/8-14	7/8-14	48	12.5	24
RK-2727-WWN	1"1/16-12	1"1/16-12	55	15.5	27
RK-3333-WWN	1"5/16-12	1"5/16-12	57	21.5	36
RK-4141-WWN	1"5/8-12	1"5/8-12	61.5	27.5	46
RK-4747-WWN	1"7/8-12	1"7/8-12	69.5	33.5	50

**BSPT - UNF NİPEL**  
 BSPT - UNF NIPPLE

**BSPT - UNF 37° NİPEL**  
 BSPT THREAD - UNF 37° FLARE NIPPLE

MALZEME KODU MATERIAL CODE	DİŞ ÖLÇÜSÜ THREAD SIZE T1	DİŞ ÖLÇÜSÜ THREAD SIZE T2	B	ØD	AA
RK-1011-NWN	1/8-28 BSPT	7/16-20	31.5	4.5	13
RK-1311-NWN	1/4-19 BSPT	7/16-20	36	4.5	14
RK-1312-NWN	1/4-19 BSPT	1/2-20	36	6	14
RK-1314-NWN	1/4-19 BSPT	9/16-18	36	7	16
RK-1316-NWN	1/4-19 BSPT	5/8-18	37.5	7	17
RK-1319-NWN	1/4-19 BSPT	3/4-16	39	7	19
RK-1714-NWN	3/8-19 BSPT	9/16-18	36	7.5	19
RK-1716-NWN	3/8-19 BSPT	5/8-18	38	8	19
RK-1719-NWN	3/8-19 BSPT	3/4-16	38.5	10	19
RK-2114-NWN	1/2-14 BSPT	9/16-18	43	7.5	22
RK-2116-NWN	1/2-14 BSPT	5/8-18	45	8	22
RK-2119-NWN	1/2-14 BSPT	3/4-16	45.5	10	22
RK-2122-NWN	1/2-14 BSPT	7/8-14	48	12.5	24
RK-2627-NWN	3/4-14 BSPT	1"1/16-12	52	15.5	27

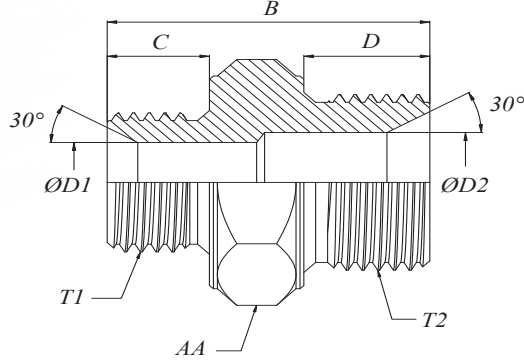
**BSP ARA NİPELİ**  
BSP STRAIGHT UNION CONNECTOR



**BSP ARA NİPELİ**  
BSP STRAIGHT UNION CONNECTOR

MALZEME KODU MATERIAL CODE	DIŞ ÖLÇÜSÜ THREAD SIZE T1	DIŞ ÖLÇÜSÜ THREAD SIZE T1	B	C	ØD	AA
RK-1010-RRN	R1/8-28	R1/8-28	24.5	9	4	14
RK-1313-RRN	R1/4-19	R1/4-19	30.5	11	6	19
RK-1717-RRN	R3/8-19	R3/8-19	33.5	12	9	22
RK-2121-RRN	R1/2-14	R1/2-14	39	14	12	27
RK-2323-RRN	R5/8-14	R5/8-14	43.5	16	14	30
RK-2626-RRN	R3/4-14	R3/4-14	44	16	16	32
RK-3333-RRN	R1"-11	R1"-11	50.5	18.5	20	41
RK-4242-RRN	R1"1/4-11	R1"1/4-11	59.5	22	28	50
RK-4848-RRN	R1"1/2-11	R1"1/2-11	61	22	32	55
RK-6060-RRN	R2"-11	R2"-11	66.5	24	45	70
RK-7575-RRN	R2"1/2-11	R2"1/2-11	70	24	56	81
RK-8888-RRN	R3"-11	R3"-11	70	24	68	91

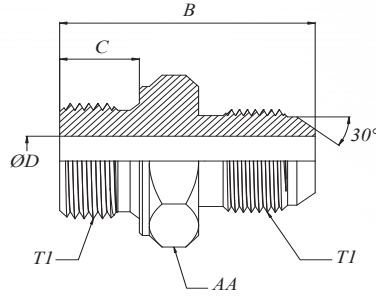
**BSP - BSP ORANTI NİPELİ**  
BSP - BSP STRAIGHT REDUCER



**BSP 60° ORANTI NİPELİ**  
BSP 60° STRAIGHT REDUCER

MALZEME KODU MATERIAL CODE	DIŞ ÖLÇÜSÜ THREAD SIZE T1	DIŞ ÖLÇÜSÜ THREAD SIZE T2	B	C	D	ØD1	ØD2	AA
RK-1013-RRON	R1/8-28	R1/4-19	29	9	11	4	6	19
RK-1017-RRON	R1/8-28	R3/8-19	30.5	9	12	4	9	22
RK-1317-RRON	R1/4-19	R3/8-19	32.5	11	12	6	9	22
RK-1321-RRON	R1/4-19	R1/2-14	36	11	14	6	12	27
RK-1326-RRON	R1/4-19	R3/4-14	39	11	16	6	16	32
RK-1721-RRON	R3/8-19	R1/2-14	37	12	14	9	12	27
RK-1726-RRON	R3/8-19	R3/4-14	40	12	16	9	16	32
RK-2123-RRON	R1/2-14	R5/8-14	41.5	14	16	12	12	30
RK-2126-RRON	R1/2-14	R3/4-14	42	14	16	12	16	32
RK-2133-RRON	R1/2-14	R1"-11	46	14	18.5	12	20	41
RK-2326-RRON	R5/8-14	R3/4-14	44	16	16	14	16	32
RK-2633-RRON	R3/4-14	R1"-11	48	16	18.5	16	20	41
RK-2642-RRON	R3/4-14	R1"1/4-11	53.5	16	22	16	28	50
RK-2648-RRON	R3/4-14	R1"1/2-11	55.5	16	22	16	32	55
RK-3342-RRON	R1"-11	R1"1/4-11	56	18.5	22	20	28	50
RK-3348-RRON	R1"-11	R1"1/2-11	57.5	18.5	22	20	32	55
RK-3360-RRON	R1"-11	R2"-11	62	18.5	24	20	45	70
RK-4248-RRON	R1"1/4-11	R1"1/2-11	61	22	22	28	32	55
RK-4260-RRON	R1"1/4-11	R2"-11	65	22	24	28	45	70
RK-4860-RRON	R1"1/2-11	R2"-11	65	22	24	32	45	70
RK-6075-RRON	R2"-11	R2"1/2-11	70	24	24	45	56	81
RK-7588-RRON	R2"1/2-11	R3"-11	69	24	24	56	68	91

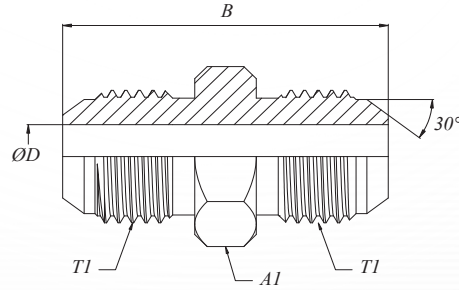
**BSP BLOK - BSP BOMBELİ NİPEL**  
BSP METAL SEAL EDGE - BSP 30° FLARE NIPPLE



**BSP BLOK - BSP 30° BOMBELİ NİPEL**  
BSP METAL SEALING EDGE - BSP 30° FLARE NIPPLE

MALZEME KODU MATERIAL CODE	DIŞ ÖLÇÜSÜ THREAD SIZE T1	DIŞ ÖLÇÜSÜ THREAD SIZE T1	B	C	ØD	AA
RK-1313-RRBN	R1/4-19	R1/4-19	34	12	6.5	19
RK-1717-RRBN	R3/8-19	R3/8-19	36.5	12	8	22
RK-2121-RRBN	R1/2-14	R1/2-14	43.5	14	12	27
RK-2626-RRBN	R3/4-14	R3/4-14	49	16	15	32
RK-3333-RRBN	R1"-11	R1"-11	55.5	18	20	41

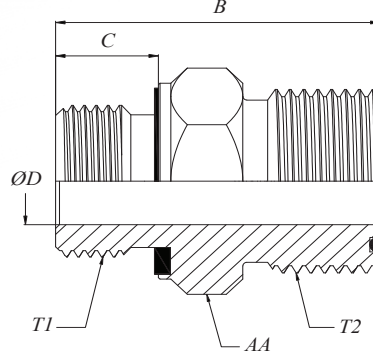
**BSP BOMBELİ - BSP BOMBELİ NİPEL**  
BSP 30° FLARE STRAIGHT UNION CONNECTOR



**BSP BOMBELİ - BSP BOMBELİ NİPEL**  
BSP 30° FLARE STRAIGHT UNION CONNECTOR

MALZEME KODU MATERIAL CODE	DIŞ ÖLÇÜSÜ THREAD SIZE T1	DIŞ ÖLÇÜSÜ THREAD SIZE T1	B	ØD	AA
RK-1313-RBBN	R1/4-19	R1/4-19	35	6.5	14
RK-1717-RBBN	R3/8-19	R3/8-19	40	8	17
RK-2121-RBBN	R1/2-14	R1/2-14	49.5	12	24
RK-2626-RBBN	R3/4-14	R3/4-14	55.5	15	27
RK-3333-RBBN	R1"-11	R1"-11	61	20	36

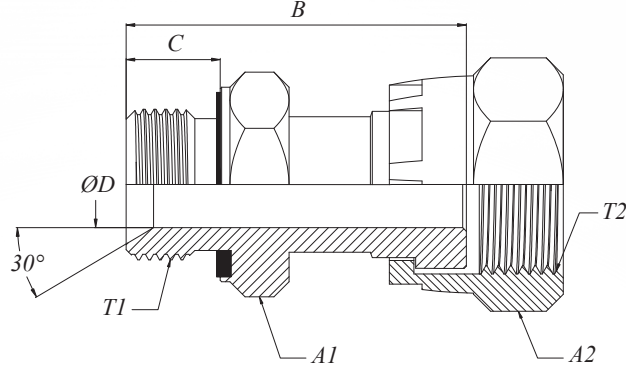
**BSP ORFS PFX NİPELLER**  
BSP ORFS NIPPLES WITH ELASTOMERIC SEAL



**BSP ORFS PFX NİPELLER**  
BSP ORFS NIPPLES WITH ELASTOMERIC SEAL

MALZEME KODU MATERIAL CODE	DIŞ ÖLÇÜSÜ THREAD SIZE T1	DIŞ ÖLÇÜSÜ THREAD SIZE T2	B	C	ØD	AA
RK-1314-RON	R1/4-19	9/16-18	31	12	5	19
RK-1317-RON	R1/4-19	11/16-16	32	12	6	19
RK-1717-RON	R3/8-19	11/16-16	33	12	6	22
RK-1721-RON	R3/8-19	13/16-16	35	12	9	22
RK-2121-RON	R1/2-14	13/16-16	38	14	9	27
RK-2125-RON	R1/2-14	1"-14	41	14	12	27
RK-2630-RON	R3/4-14	1"3/16-12	46	16	15	32
RK-2637-RON	R3/4-14	1"7/16-12	48	16	15	41
RK-3337-RON	R1"-11	1"7/16-12	50	18	19	41
RK-3343-RON	R1"-11	1"11/16-12	52	18	20	46
RK-4237-RON	R1"1/4-11	1"7/16-12	54	20	19	50
RK-4243-RON	R1"1/4-11	1"11/16-12	54	20	23	50

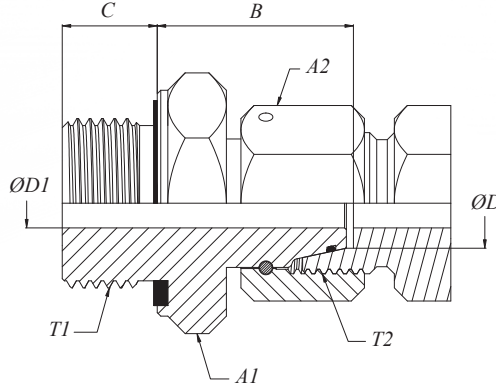
**BSP - ORFS TERS NİPEL**  
BSP - ORFS SWIWEL CONNECTOR



**BSP - ORFS TERS PFX NİPEL**  
BSP WITH ELASTOMERIC SEAL - ORFS FEMALE SWIWEL CONNECTOR

MALZEME KODU MATERIAL CODE	DIŞ ÖLÇÜSÜ THREAD SIZE T1	DIŞ ÖLÇÜSÜ THREAD SIZE T2	B	C	ØD	A1	A2
RK-1314-ROTN	R1/4-19	9/16-18	35.5	12	5	19	19
RK-1317-ROTN	R1/4-19	11/16-16	37.5	12	6	19	22
RK-1717-ROTN	R3/8-19	11/16-16	38	12	6	22	22
RK-1721-ROTN	R3/8-19	13/16-16	42	12	9	22	24
RK-2121-ROTN	R1/2-14	13/16-16	45	14	9	27	24
RK-2125-ROTN	R1/2-14	1"-14	48	14	12	27	30
RK-2630-ROTN	R3/4-14	1"3/16-12	53	16	15	32	36
RK-2637-ROTN	R3/4-14	1"7/16-12	55.5	16	16	36	41
RK-3337-ROTN	R1"-11	1"7/16-12	58	18	19	41	41
RK-4243-ROTN	R1"1/4-11	1"11/16-12	64	20	23	50	50

**BSP - METRİK PFX TERS RAKOR**  
BSP - METRIC SWIVEL CONNECTOR

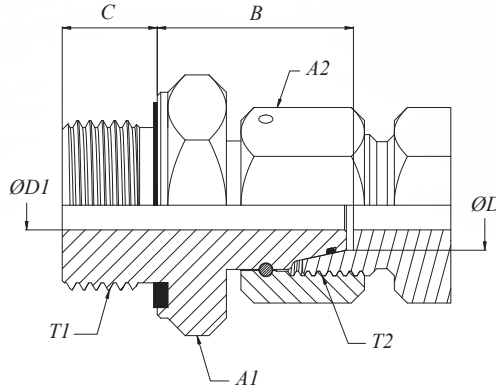


**BSP - METRİK PFX TERS RAKOR**  
BSP - METRIC SWIVEL CONNECTOR WITH ELASTOMERIC SEAL

MALZEME KODU MATERIAL CODE	DİŞ ÖLÇÜSÜ THREAD SIZE T1	DİŞ ÖLÇÜSÜ THREAD SIZE T2	BORU ÇAPI TUBE OD ØD	B	C	ØD1	A1	A2
<b>L TİPİ / L TYPE</b>								
RK-1006-RMTR-L	R1/8-28	M12x1,5 6L	6	24.5	8	3	14	17
RK-1008-RMTR-L	R1/8-28	M14x1,5 8L	8	25	8	4	14	17
RK-1306-RMTR-L	R1/4-19	M12x1,5 6L	6	25	12	3	19	17
RK-1308-RMTR-L	R1/4-19	M14x1,5 8L	8	29.5	12	4	19	17
RK-1310-RMTR-L	R1/4-19	M16x1,5 10L	10	27.5	12	6	19	19
RK-1312-RMTR-L	R1/4-19	M18x1,5 12L	12	27.5	12	6	19	22
RK-1708-RMTR-L	R3/8-19	M14x1,5 8L	8	27.5	12	4	22	17
RK-1710-RMTR-L	R3/8-19	M16x1,5 10L	10	29	12	6	22	19
RK-1712-RMTR-L	R3/8-19	M18x1,5 12L	12	34	12	8	22	22
RK-1715-RMTR-L	R3/8-19	M22x1,5 15L	15	30	12	9	22	27
RK-2110-RMTR-L	R1/2-14	M16x1,5 10L	10	27.5	14	6	27	19
RK-2112-RMTR-L	R1/2-14	M18x1,5 12L	12	29.5	14	8	27	22
RK-2115-RMTR-L	R1/2-14	M22x1,5 15L	15	32	14	10	27	27
RK-2118-RMTR-L	R1/2-14	M26x1,5 18L	18	31.5	14	13	27	32
RK-2122-RMTR-L	R1/2-14	M30x2 22L	22	32.5	14	13	30	36
RK-2618-RMTR-L	R3/4-14	M26x1,5 18L	18	29.5	16	13	32	32
RK-2622-RMTR-L	R3/4-14	M30x2 22L	22	32.5	16	17	32	36
RK-2628-RMTR-L	R3/4-14	M36x2 28L	28	34	16	18	36	41
RK-3322-RMTR-L	R1"-11	M30x2 22L	22	36	18	17	41	36
RK-3328-RMTR-L	R1"-11	M36x2 28L	28	35	18	22	41	41
RK-3335-RMTR-L	R1"-11	M45x2 35L	35	41	18	22	46	50
RK-4228-RMTR-L	R1"1/4-11	M36x2 28L	28	37	20	22	50	41
RK-4235-RMTR-L	R1"1/4-11	M45x2 35L	35	42.5	20	28	50	50
RK-4242-RMTR-L	R1"1/4-11	M52x2 42L	42	44.5	20	30	50	60
RK-4842-RMTR-L	R1"1/2-11	M52x2 42L	42	46.5	22	34	55	60



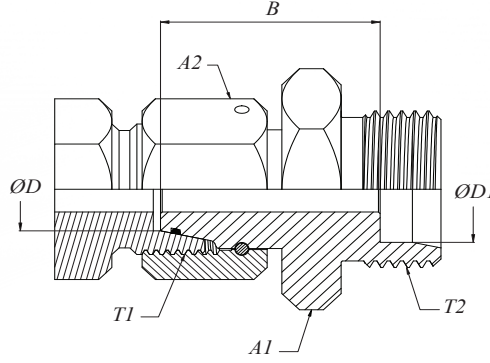
**BSP - METRİK PFX TERS RAKOR**  
BSP - METRIC SWIVEL CONNECTOR



**BSP - METRİK PFX TERS RAKOR**  
BSP - METRIC SWIVEL CONNECTOR WITH ELASTOMERIC SEAL

MALZEME KODU MATERIAL CODE	DIŞ ÖLÇÜSÜ THREAD SIZE T1	DIŞ ÖLÇÜSÜ THREAD SIZE T2	BORU ÇAPI TUBE OD ØD	B	C	ØD1	A1	A2
<b>S TİPİ / S TYPE</b>								
RK-1306-RMTR-S	R1/4-19	M14x1,5 6S	6	27	12	3	19	17
RK-1308-RMTR-S	R1/4-19	M16x1,5 8S	8	29.5	12	4	19	19
RK-1310-RMTR-S	R1/4-19	M18x1,5 10S	10	31.5	12	6	19	22
RK-1312-RMTR-S	R1/4-19	M20x1,5 12S	12	31.5	12	6	19	24
RK-1708-RMTR-S	R3/8-19	M16x1,5 8S	8	30.5	12	4	22	19
RK-1710-RMTR-S	R3/8-19	M18x1,5 10S	10	32	12	6	22	22
RK-1712-RMTR-S	R3/8-19	M20x1,5 12S	12	34	12	8	22	24
RK-1716-RMTR-S	R3/8-19	M24x1,5 16S	16	36.5	12	9	24	30
RK-2112-RMTR-S	R1/2-14	M20x1,5 12S	12	35	14	8	27	24
RK-2116-RMTR-S	R1/2-14	M24x1,5 16S	16	37	14	11	27	30
RK-2120-RMTR-S	R1/2-14	M30x2 20S	20	42	14	12	30	36
RK-2616-RMTR-S	R3/4-14	M24x1,5 16S	16	39.5	16	11	32	30
RK-2620-RMTR-S	R3/4-14	M30x2 20S	20	43	16	14	32	36
RK-2625-RMTR-S	R3/4-14	M36x2 25S	25	46.5	16	16	36	46
RK-3320-RMTR-S	R1"-11	M30x2 20S	20	44	18	14	41	36
RK-3325-RMTR-S	R1"-11	M36x2 25S	25	48	18	18	41	46
RK-3330-RMTR-S	R1"-11	M42x2 30S	30	50	18	22	41	50
RK-4225-RMTR-S	R1"1/4-11	M36x2 25S	25	45	20	18	50	46
RK-4230-RMTR-S	R1"1/4-11	M42x2 30S	30	51	20	23	50	50
RK-4238-RMTR-S	R1"1/4-11	M52x2 38S	38	58	20	28	50	60
RK-4838-RMTR-S	R1"1/2-11	M52x2 38S	38	60	22	30	55	60

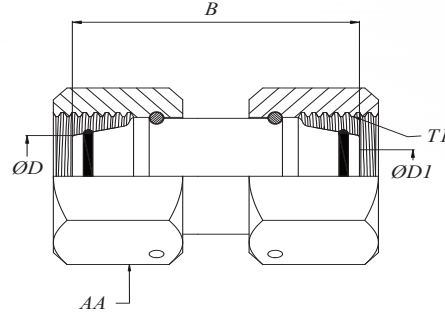
**METRİK KOR REKORLAR**  
METRIC REDUCING SWIVEL STRAIGHT ADAPTER



**METRİK KOR REKORLAR**  
METRIC REDUCING SWIVEL STRAIGHT ADAPTER WITH O-RING

MALZEME KODU MATERIAL CODE	DIŞ ÖLÇÜSÜ THREAD SIZE T1	DIŞ ÖLÇÜSÜ THREAD SIZE T2	ØD	ØD1	B	A1	A2
<b>L TİPİ / L TYPE</b>							
RK-1208-MMTR-L	M18x1,5 12L	M14x1,5 8L	12	8	25	17	22
RK-1210-MMTR-L	M18x1,5 12L	M16x1,5 10L	12	10	26	17	22
RK-1512-MMTR-L	M22x1,5 15L	M18x1,5 12L	15	12	28	22	27
RK-1812-MMTR-L	M26x1,5 18L	M18x1,5 12L	18	12	29.5	24	32
RK-2215-MMTR-L	M30x2 22L	M22x1,5 15L	22	15	34.5	27	36
RK-2218-MMTR-L	M30x2 22L	M26x1,5 18L	22	18	34.5	27	36
RK-2812-MMTR-L	M36x2 28L	M18x1,5 12L	28	12	34.5	36	41
RK-2818-MMTR-L	M36x2 28L	M26x1,5 18L	28	18	35	36	41
RK-2822-MMTR-L	M36x2 28L	M30x2 22L	28	22	37.5	36	41
RK-3522-MMTR-L	M45x2 35L	M30x2 22L	35	22	41.5	46	50
RK-3528-MMTR-L	M45x2 35L	M36x2 28L	35	28	41.5	46	50
RK-4228-MMTR-L	M52x2 42L	M36x2 28L	42	28	41.5	50	60
RK-4235-MMTR-L	M52x2 42L	M45x2 35L	42	35	41	50	60
<b>S TİPİ / S TYPE</b>							
RK-1612-MMTR-S	M24x1,5 16S	M20x1,5 12S	16	12	30.5	22	30
RK-2012-MMTR-S	M30x2 20S	M20x1,5 12S	20	12	34.5	27	36
RK-2016-MMTR-S	M30x2 20S	M24x1,5 16S	20	16	35.5	27	36
RK-2512-MMTR-S	M36x2 25S	M20x1,5 12S	25	12	35	36	46
RK-2516-MMTR-S	M36x2 25S	M24x1,5 16S	25	16	36	36	46
RK-2520-MMTR-S	M36x2 25S	M30x2 20S	25	20	36	36	46
RK-3016-MMTR-S	M42x2 30S	M24x1,5 16S	30	16	39.5	41	50
RK-3020-MMTR-S	M42x2 30S	M30x2 20S	30	20	39.5	41	50
RK-3025-MMTR-S	M42x2 30S	M36x2 25S	30	25	40	41	50
RK-3820-MMTR-S	M52x2 38S	M30x2 20S	38	20	43.5	50	60
RK-3825-MMTR-S	M52x2 38S	M36x2 25S	38	25	44	50	60
RK-3830-MMTR-S	M52x2 38S	M42x2 30S	38	30	44.5	50	60

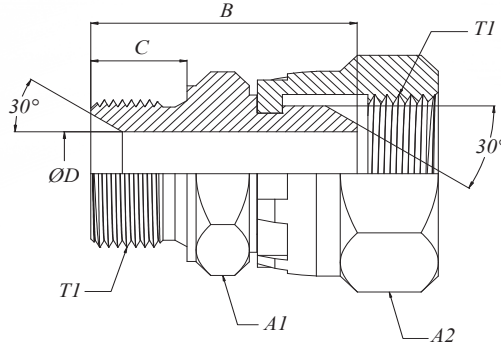
**METRİK SOMUNLU TERS NİPEL**  
METRIC STRAIGHT UNION SWIVEL REDUCER



**METRİK SOMUNLU TERS NİPEL**  
METRIC STRAIGHT UNION SWIVEL REDUCER WITH NUT

MALZEME KODU MATERIAL CODE	DIŞ ÖLÇÜSÜ THREAD SIZE T1	ØD	ØD1	B	AA
<b>L TİPİ / L TYPE</b>					
RK-1206-MSTN-L	M12x1,5 6L	6	3	32	17
RK-1408-MSTN-L	M14x1,5 8L	8	4	32	17
RK-1610-MSTN-L	M16x1,5 10L	10	6	33	19
RK-1812-MSTN-L	M18x1,5 12L	12	8	33	22
RK-2215-MSTN-L	M22x1,5 15L	15	10	38	27
RK-2618-MSTN-L	M26x1,5 18L	18	13	36	32
RK-3022-MSTN-L	M30x2 22L	22	17	42	36
RK-3628-MSTN-L	M36x2 28L	28	22	46	41
RK-4535-MSTN-L	M45x2 35L	35	28	48	50
RK-5242-MSTN-L	M52x2 42L	42	34	52	60
<b>S TİPİ / S TYPE</b>					
RK-1406-MSTN-S	M14x1,5 6S	6	3	32	17
RK-1608-MSTN-S	M16x1,5 8S	8	4	33	19
RK-1810-MSTN-S	M18x1,5 10S	10	6	33	22
RK-2012-MSTN-S	M20x1,5 12S	12	8	36	24
RK-2416-MSTN-S	M24x1,5 16S	16	11	39	30
RK-3020-MSTN-S	M30x2 20S	20	14	44	36
RK-3625-MSTN-S	M36x2 25S	25	18	46	46
RK-4230-MSTN-S	M42x2 30S	30	23	52	50
RK-5238-MSTN-S	M52x2 38S	38	30	52	60

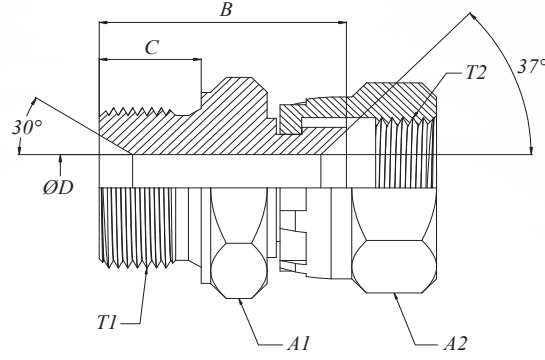
**BSP TERS NİPEL**  
BSP STRAIGHT SWIWEL CONNECTOR



**BSP TERS NİPEL**  
BSP STRAIGHT SWIWEL CONNECTOR

MALZEME KODU MATERIAL CODE	DIŞ ÖLÇÜSÜ THREAD SIZE T1	DIŞ ÖLÇÜSÜ THREAD SIZE T1	B	C	ØD	A1	A2
RK-1010-RRTN	R1/8-28	R1/8-28	23.5	9	4	14	14
RK-1313-RRTN	R1/4-19	R1/4-19	30	11	5.5	19	17
RK-1717-RRTN	R3/8-19	R3/8-19	33.5	12	8	22	22
RK-2121-RRTN	R1/2-14	R1/2-14	39.5	14	10	27	27
RK-2626-RRTN	R3/4-14	R3/4-14	45	16	15	32	32
RK-3333-RRTN	R1"-11	R1"-11	53	18.5	20	41	41
RK-4242-RRTN	R1"1/4-11	R1"1/4-11	58.5	22	26	50	50
RK-4848-RRTN	R1"1/2-11	R1"1/2-11	62.5	22	30	55	55
RK-6060-RRTN	R2"-11	R2"-11	69	25	43.5	70	70

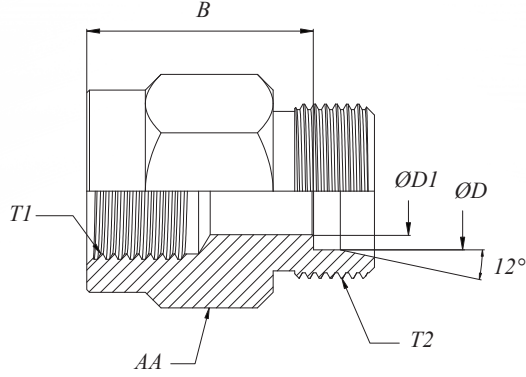
**BSP - UNF TERS NİPEL**  
BSP - UNF SWIWEL CONNECTOR



**BSP - UNF TERS NİPEL**  
BSP METAL SEALING - UNF FEMALE SWIWEL CONNECTOR

MALZEME KODU MATERIAL CODE	DIŞ ÖLÇÜSÜ THREAD SIZE T1	DIŞ ÖLÇÜSÜ THREAD SIZE T2	B	C	ØD	A1	A2
RK-1011-RWTN	R1/8-28	7/16-20	22.5	9	4	14	16
RK-1311-RWTN	R1/4-19	7/16-20	27	11	4.5	19	16
RK-1312-RWTN	R1/4-19	1/2-20	28.5	11	5.5	19	17
RK-1314-RWTN	R1/4-19	9/16-18	29	11	6	19	19
RK-1714-RWTN	R3/8-19	9/16-18	30.5	12	6	22	19
RK-1716-RWTN	R3/8-19	5/8-18	30.5	12	7	22	21
RK-1719-RWTN	R3/8-19	3/4-16	33.5	12	9	22	24
RK-2114-RWTN	R1/2-14	9/16-18	34	14	6	27	19
RK-2116-RWTN	R1/2-14	5/8-18	34	14	7	27	21
RK-2119-RWTN	R1/2-14	3/4-16	37	14	9	27	24
RK-2122-RWTN	R1/2-14	7/8-14	37.5	14	12	27	27
RK-2622-RWTN	R3/4-14	7/8-14	40.5	16	12	32	27
RK-2627-RWTN	R3/4-14	1"1/16-12	42.5	16	15	32	32
RK-3327-RWTN	R1"-11	1"1/16-12	46.5	18.5	15	41	32
RK-3333-RWTN	R1"-11	1"5/16-12	49	18.5	20	41	41

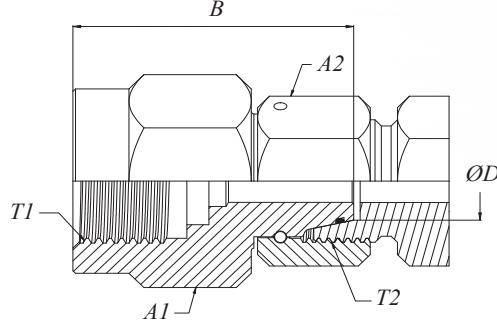
**MANOMETRE RAKORLARI**  
PRESSURE GAUGE CONNECTOR



**BSP - METRİK MANOMETRE RAKORLARI**  
BSP FEMALE - METRIC MALE PRESSURE GAUGE CONNECTOR

MALZEME KODU MATERIAL CODE	DIŞ ÖLÇÜSÜ THREAD SIZE T1	DIŞ ÖLÇÜSÜ THREAD SIZE T2	B	ØD	ØD1	AA
<b>L TİPİ / L TYPE</b>						
RK-1306-MER-L	R1/4-19	M12x1,5 6L	21.5	6	4	19
RK-1308-MER-L	R1/4-19	M14x1,5 8L	21.5	8	5	19
RK-1310-MER-L	R1/4-19	M16x1,5 10L	22.5	10	8	19
RK-1312-MER-L	R1/4-19	M18x1,5 12L	22.5	12	10	19
RK-2106-MER-L	R1/2-14	M12x1,5 6L	29	6	4	27
RK-2108-MER-L	R1/2-14	M14x1,5 8L	39	8	6	27
RK-2110-MER-L	R1/2-14	M16x1,5 10L	30	10	8	27
RK-2112-MER-L	R1/2-14	M18x1,5 12L	30	12	10	27
<b>S TİPİ / S TYPE</b>						
RK-1306-MER-S	R1/4-19	M14x1,5 6S	23	6	4	19
RK-1308-MER-S	R1/4-19	M16x1,5 8S	23	8	5	19
RK-1310-MER-S	R1/4-19	M18x1,5 10S	23	10	7	19
RK-1312-MER-S	R1/4-19	M20x1,5 12S	23	12	8	22
RK-2106-MER-S	R1/2-14	M14x1,5 6S	31	6	4	27
RK-2108-MER-S	R1/2-14	M16x1,5 8S	31	8	5	27
RK-2110-MER-S	R1/2-14	M18x1,5 10S	30.5	10	7	27

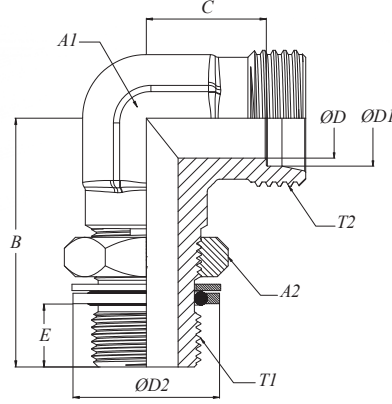
**MANOMETRE TERS RAKORLARI**  
PRESSURE GAUGE SWIVEL CONNECTOR



**BSP - METRİK MANOMETRE TERS RAKORLARI**  
BSP FEMALE - METRIC SWIVEL PRESSURE GAUGE CONNECTOR

MALZEME KODU MATERIAL CODE	DIŞ ÖLÇÜSÜ THREAD SIZE T1	DIŞ ÖLÇÜSÜ THREAD SIZE T2	B	ØD	A1	A2
<b>L TİPİ / L TYPE</b>						
RK-1306-MTR-L	R1/4-19	M12x1,5 6L	32.5	6	19	17
RK-1308-MTR-L	R1/4-19	M14x1,5 8L	33	8	19	17
RK-1310-MTR-L	R1/4-19	M16x1,5 10L	33.5	10	19	19
RK-1312-MTR-L	R1/4-19	M18x1,5 12L	34.5	12	19	22
RK-2106-MTR-L	R1/2-14	M12x1,5 6L	41.5	6	27	17
RK-2108-MTR-L	R1/2-14	M14x1,5 8L	42	8	27	17
RK-2110-MTR-L	R1/2-14	M16x1,5 10L	42.5	10	27	19
RK-2112-MTR-L	R1/2-14	M18x1,5 12L	43.5	12	27	22
<b>S TİPİ / S TYPE</b>						
RK-1306-MTR-S	R1/4-19	M14x1,5 6S	33	6	19	17
RK-1308-MTR-S	R1/4-19	M16x1,5 8S	33.5	8	19	19
RK-1310-MTR-S	R1/4-19	M18x1,5 10S	34.5	10	19	22
RK-1312-MTR-S	R1/4-19	M20x1,5 12S	35.5	12	19	24
RK-2106-MTR-S	R1/2-14	M14x1,5 6S	42	6	27	17
RK-2108-MTR-S	R1/2-14	M16x1,5 8S	42.5	8	27	19
RK-2110-MTR-S	R1/2-14	M18x1,5 10S	43.5	10	27	22

**BSP METRİK 90° KONTRALI DİRSEK**  
BSP METRIC 90° ADJUSTABLE STUD ELBOW



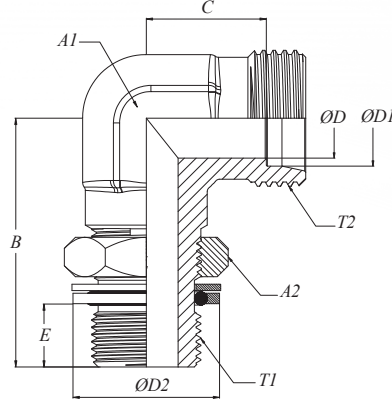
**BSP - METRİK 90° KONTRALI DİRSEK**

METRIC 24° CONE - ADJUSTABLE BSP THREAD - O-RING + RETAINING RING

MALZEME KODU MATERIAL CODE	DİŞ ÖLÇÜSÜ THREAD SIZE T1	DİŞ ÖLÇÜSÜ THREAD SIZE T2	B	E	C	ØD	ØD1	ØD2	A1	A2
<b>L TİPİ / L TYPE</b>										
RK-1006-RMKD-L	R1/8-28	M12x1,5 6L	26	7	12	4	6	15	12	14
RK-1306-RMKD-L	R1/4-19	M12x1,5 6L	34	10	14	4	6	20	15	19
RK-1308-RMKD-L	R1/4-19	M14x1,5 8L	34	10	16	6	8	20	15	19
RK-1310-RMKD-L	R1/4-19	M16x1,5 10L	34	10	17	8	10	20	15	19
RK-1312-RMKD-L	R1/4-19	M18x1,5 12L	35	10	19	10	12	20	19	19
RK-1710-RMKD-L	R3/8-19	M16x1,5 10L	37	12	17	8	10	23	19	22
RK-1712-RMKD-L	R3/8-19	M18x1,5 12L	37	12	19	10	12	23	19	22
RK-2112-RMKD-L	R1/2-14	M18x1,5 12L	49	12.5	21	10	12	28	24	27
RK-2115-RMKD-L	R1/2-14	M22x1,5 15L	49	12.5	21	12	15	28	24	27
RK-2118-RMKD-L	R1/2-14	M26x1,5 18L	49	12.5	23.5	15	18	28	24	27
RK-2618-RMKD-L	R3/4-14	M26x1,5 18L	49	14	23.5	15	18	33	30	32
RK-2622-RMKD-L	R3/4-14	M30x2 22L	49	14	27.5	19	22	33	30	32
RK-3322-RMKD-L	R1"-11	M30x2 22L	58	16	30.5	19	22	41	36	41
RK-3328-RMKD-L	R1"-11	M36x2 28L	58	16	30.5	24	28	41	36	41
RK-4235-RMKD-L	R1"1/4-11	M45x2 35L	64	17	37.5	30	35	51	42	50
RK-4242-RMKD-L	R1"1/4-11	M52x2 42L	70	17	38	36	42	51	50	50
RK-4842-RMKD-L	R1"1/2-11	M52x2 42L	70	17	38	36	42	56	50	55



**BSP METRİK 90° KONTRALI DİRSEK**  
BSP METRIC 90° ADJUSTABLE STUD ELBOW

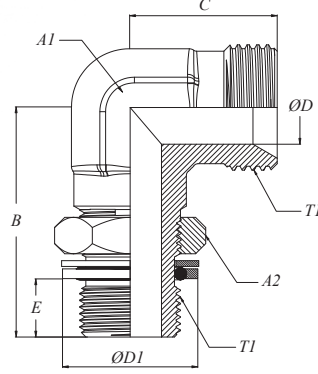


**BSP - METRİK 90° KONTRALI DİRSEK**

METRIC 24° CONE - ADJUSTABLE BSP THREAD - O-RING + RETAINING RING

MALZEME KODU MATERIAL CODE	DİŞ ÖLÇÜSÜ THREAD SIZE T1	DİŞ ÖLÇÜSÜ THREAD SIZE T2	B	E	C	ØD	ØD1	ØD2	A1	A2
<b>S T İ P İ / S T Y P E</b>										
RK-1710-RMKD-S	R3/8-19	M18x1,5 10S	37	12	18	10	10	23	19	22
RK-1712-RMKD-S	R3/8-19	M20x1,5 12S	37	12	21.5	8	12	23	19	22
RK-2112-RMKD-S	R1/2-14	M20x1,5 12S	49	12.5	21.5	8	12	28	24	27
RK-2116-RMKD-S	R1/2-14	M24x1,5 16S	49	12.5	24.5	12	16	28	24	27
RK-2120-RMKD-S	R1/2-14	M30x2 20S	49	12.5	27.5	16	20	28	30	27
RK-2616-RMKD-S	R3/4-14	M24x1,5 16S	49	14	24.5	12	16	33	30	32
RK-2620-RMKD-S	R3/4-14	M30x2 20S	49	14	27.5	16	20	33	30	32
RK-2625-RMKD-S	R3/4-14	M36x2 25S	58	14	30	20	25	33	36	32
RK-3320-RMKD-S	R1"-11	M30x2 20S	58	16	27.5	16	20	41	36	41
RK-3325-RMKD-S	R1"-11	M36x2 25S	58	16	30	20	25	41	36	41
RK-3330-RMKD-S	R1"-11	M42x2 30S	62	16	35.5	25	30	41	42	41
RK-4230-RMKD-S	R1"1/4-11	M42x2 30S	64	17	35.5	25	30	51	42	50
RK-4238-RMKD-S	R1"1/4-11	M52x2 38S	70	17	33.5	32	38	51	50	50
RK-4838-RMKD-S	R1"1/2-11	M52x2 38S	70	17	33.5	32	38	56	50	55

**BSP - BSP 90° KONTRALI DİRSEK**  
**BSP - BSP 90° ADJUSTABLE STUD ELBOW**

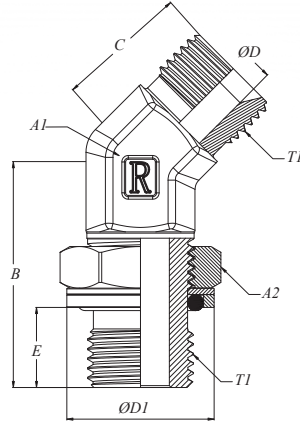


**BSP - BSP 90° KONTRALI DİRSEK**

BSP THREAD - ADJUSTABLE BSP THREAD - O-RING + RETAINING RING

MALZEME KODU MATERIAL CODE	DIŞ ÖLÇÜSÜ THREAD SIZE T1	DIŞ ÖLÇÜSÜ THREAD SIZE T1	B	E	C	ØD	ØD1	A1	A2
RK-1010-RRKD	R1/8-28	R1/8-28	26	7	19	4	15	12	14
RK-1313-RRKD	R1/4-19	R1/4-19	34	10	24	6	20	15	19
RK-1717-RRKD	R3/8-19	R3/8-19	37	12	27	9	23	19	22
RK-2121-RRKD	R1/2-14	R1/2-14	49	12.5	31	12	28	24	27
RK-2626-RRKD	R3/4-14	R3/4-14	49	14	36	16	33	30	32
RK-3333-RRKD	R1"-11	R1"-11	58	16	42.5	20	41	36	41
RK-4242-RRKD	R1"1/4-11	R1"1/4-11	64	17	49	26	51	42	50
RK-4848-RRKD	R1"1/2-11	R1"1/2-11	70	17	50	32	56	50	55

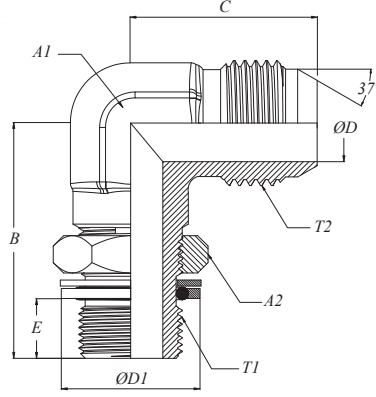
**BSP - BSP 45° KONTRALI DİRSEK**  
BSP - BSP 45° ADJUSTABLE STUD ELBOW



**BSP - BSP 45° KONTRALI DİRSEK**  
BSP THREAD - ADJUSTABLE BSP THREAD - O-RING + RETAINING RING

MALZEME KODU MATERIAL CODE	Diş Ölçüsü THREAD SIZE T1	Diş Ölçüsü THREAD SIZE T1	B	E	C	ØD	ØD1	A1	A2
RK-1010-RRKD45	R1/8-28	R1/8-28	26	7	16	4	15	12	14
RK-1313-RRKD45	R1/4-19	R1/4-19	30	10	21	6	20	14	19
RK-1717-RRKD45	R3/8-19	R3/8-19	34	12	24	9	23	19	22
RK-2121-RRKD45	R1/2-14	R1/2-14	41	12.5	27	12	28	22	27
RK-2626-RRKD45	R3/4-14	R3/4-14	44	14	32	16	33	27	32
RK-3333-RRKD45	R1"-11	R1"-11	48	16	35	20	41	36	41
RK-4242-RRKD45	R1"1/4-11	R1"1/4-11	49	17	37	26	51	45	50
RK-4848-RRKD45	R1"1/2-11	R1"1/2-11	56	17	46	32	56	50	55

**BSP - UNF 90° KONTRALI DİRSEK**  
BSP - UNF 90° ADJUSTABLE STUD ELBOW

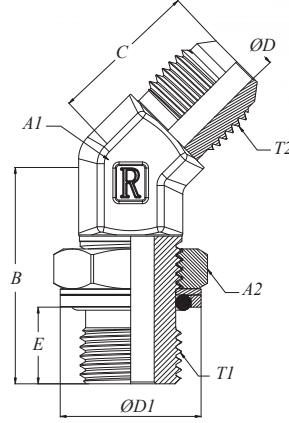


**BSP - UNF 90° KONTRALI DİRSEK**

UNF 37° FLARE - ADJUSTABLE BSP THREAD - O-RING + RETAINING RING

MALZEME KODU MATERIAL CODE	DIŞ ÖLÇÜSÜ THREAD SIZE T1	DIŞ ÖLÇÜSÜ THREAD SIZE T2	B	E	C	ØD	ØD1	A1	A2
RK-1011-RWKD	R1/8-28	7/16-20	26.5	7	21.5	4.5	15	12	14
RK-1311-RWKD	R1/4-19	7/16-20	34	10	25	4.5	20	15	19
RK-1312-RWKD	R1/4-19	1/2-20	34	10	25	6	20	15	19
RK-1314-RWKD	R1/4-19	9/16-18	34	10	24.5	7.5	20	15	19
RK-1714-RWKD	R3/8-19	9/16-18	37	12	30	7.5	23	19	22
RK-1716-RWKD	R3/8-19	5/8-18	37	12	29	8	23	19	22
RK-1719-RWKD	R3/8-19	3/4-16	37	12	29	10	23	19	22
RK-2114-RWKD	R1/2-14	9/16-18	49	12.5	34	7.5	28	24	27
RK-2116-RWKD	R1/2-14	5/8-18	49	12.5	34	8	28	24	27
RK-2119-RWKD	R1/2-14	3/4-16	49	12.5	34	10	28	24	27
RK-2122-RWKD	R1/2-14	7/8-14	49	12.5	33	12.5	28	24	27
RK-2127-RWKD	R1/2-14	1"1/16-12	50	12.5	38	15.5	28	30	27
RK-2622-RWKD	R3/4-14	7/8-14	49	14	38.5	12.5	33	30	32
RK-2627-RWKD	R3/4-14	1"1/16-12	49	14	38.5	15.5	33	30	32
RK-3327-RWKD	R1"-11	1"1/16-12	58	16	42	15.5	41	36	41
RK-3333-RWKD	R1"-11	1"5/16-12	58	16	42.5	21.5	41	36	41

**BSP - UNF 45° KONTRALI DİRSEK**  
BSP - UNF 45° ADJUSTABLE STUD ELBOW

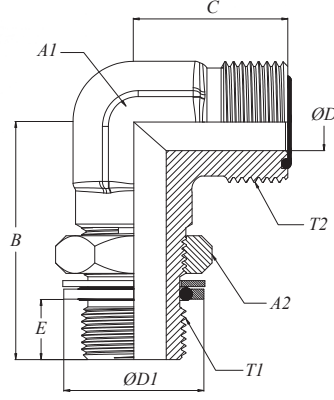


**BSP - UNF 45° KONTRALI DİRSEK**

UNF 37° FLARE - ADJUSTABLE BSP THREAD - O-RING + RETAINING RING

MALZEME KODU MATERIAL CODE	DIŞ ÖLÇÜSÜ THREAD SIZE T1	DIŞ ÖLÇÜSÜ THREAD SIZE T2	B	E	C	ØD	ØD1	A1	A2
RK-1011-RWKD45	R1/8-28	7/16-20	26.5	7	18.5	4.5	15	12	14
RK-1311-RWKD45	R1/4-19	7/16-20	26.5	10	20	4.5	20	14	19
RK-1312-RWKD45	R1/4-19	1/2-20	26.5	10	20	6	20	14	19
RK-1314-RWKD45	R1/4-19	9/16-18	29	10	21	7.5	20	14	19
RK-1714-RWKD45	R3/8-19	9/16-18	33	12	22	7.5	23	19	22
RK-1716-RWKD45	R3/8-19	5/8-18	33	12	24	8	23	19	22
RK-1719-RWKD45	R3/8-19	3/4-16	33	12	25	10	23	19	22
RK-2114-RWKD45	R1/2-14	9/16-18	39	12.5	22.5	7.5	28	22	27
RK-2116-RWKD45	R1/2-14	5/8-18	39	12.5	24	8	28	22	27
RK-2119-RWKD45	R1/2-14	3/4-16	39	12.5	25	10	28	22	27
RK-2122-RWKD45	R1/2-14	7/8-14	39	12.5	28	12.5	28	22	27
RK-2127-RWKD45	R1/2-14	1"1/16-12	42	12.5	32	15.5	28	27	27
RK-2622-RWKD45	R3/4-14	7/8-14	44	14	29	12.5	33	27	32
RK-2627-RWKD45	R3/4-14	1"1/16-12	44	14	32	15.5	33	27	32
RK-3327-RWKD45	R1"-11	1"1/16-12	47	16	33.5	15.5	41	36	41
RK-3333-RWKD45	R1"-11	1"5/16-12	47	16	37	21.5	41	36	41

**BSP - ORFS 90° KONTRALI DİRSEK**  
BSP - ORFS 90° ADJUSTABLE STUD ELBOW

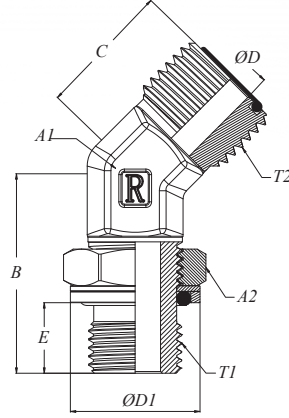


**BSP - ORFS 90° KONTRALI DİRSEK**

ORFS TUBE END - ADJUSTABLE BSP THREAD - O-RING + RETAINING RING

MALZEME KODU MATERIAL CODE	DIŞ ÖLÇÜSÜ THREAD SIZE T1	DIŞ ÖLÇÜSÜ THREAD SIZE T2	B	E	C	ØD	ØD1	A1	A2
RK-1314-ROKD	R1/4-19	9/16-18	34	10	24	5	20	15	19
RK-1317-ROKD	R1/4-19	11/16-16	34	10	24	6	20	15	19
RK-1321-ROKD	R1/4-19	13/16-16	35	10	29	9	20	19	19
RK-1714-ROKD	R3/8-19	9/16-18	37	12	29	5	23	19	22
RK-1717-ROKD	R3/8-19	11/16-16	37	12	27	6	23	19	22
RK-1721-ROKD	R3/8-19	13/16-16	37	12	28	9	23	19	22
RK-2117-ROKD	R1/2-14	11/16-16	49	12.5	33	6	28	24	27
RK-2121-ROKD	R1/2-14	13/16-16	49	12.5	33	9	28	24	27
RK-2125-ROKD	R1/2-14	1"-14	49	12.5	33	12	28	24	27
RK-2625-ROKD	R3/4-14	1"-14	49	14	36	12	33	30	32
RK-2630-ROKD	R3/4-14	1"3/16-12	49	14	37	15	33	30	32
RK-2637-ROKD	R3/4-14	1"7/16-12	55	14	42	19	33	36	32
RK-3330-ROKD	R1"-11	1"3/16-12	58	16	42	15	41	36	41
RK-3337-ROKD	R1"-11	1"7/16-12	58	16	42	19	41	36	41

**BSP - ORFS 45° KONTRALI DİRSEK**  
BSP - ORFS 45° ADJUSTABLE STUD ELBOW

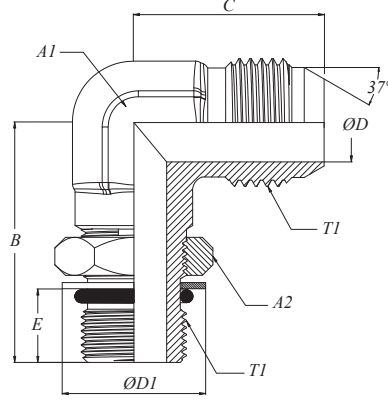


**BSP - ORFS 45° KONTRALI DİRSEK**

ORFS TUBE END - ADJUSTABLE BSP THREAD - O-RING + RETAINING RING

MALZEME KODU MATERIAL CODE	DIŞ ÖLÇÜSÜ THREAD SIZE T1	DIŞ ÖLÇÜSÜ THREAD SIZE T2	B	E	C	ØD	ØD1	A1	A2
RK-1314-ROKD45	R1/4-19	9/16-18	33	10	21	5	20	19	19
RK-1317-ROKD45	R1/4-19	11/16-16	33	10	22	6	20	19	19
RK-1321-ROKD45	R1/4-19	13/16-16	33	10	24	9	20	19	19
RK-1714-ROKD45	R3/8-19	9/16-18	34	12	21	5	23	19	22
RK-1717-ROKD45	R3/8-19	11/16-16	34	12	22	6	23	19	22
RK-1721-ROKD45	R3/8-19	13/16-16	34	12	24	9	23	19	22
RK-2117-ROKD45	R1/2-14	11/16-16	43	12.5	22	6	28	27	27
RK-2121-ROKD45	R1/2-14	13/16-16	43	12.5	24	9	28	27	27
RK-2125-ROKD45	R1/2-14	1"-14	43	12.5	24	12	28	27	27
RK-2625-ROKD45	R3/4-14	1"-14	46	14	24	12	33	27	32
RK-2630-ROKD45	R3/4-14	1"3/16-12	46	14	26	15	33	30	32
RK-2637-ROKD45	R3/4-14	1"7/16-12	50	14	30	19	33	36	32
RK-3330-ROKD45	R1"-11	1"3/16-12	51	16	30	15	41	36	41
RK-3337-ROKD45	R1"-11	1"7/16-12	51	16	30	19	41	36	41

**UNF - UNF 90° KONTRALI DİRSEK**  
UNF - UNF 90° ADJUSTABLE STUD ELBOW

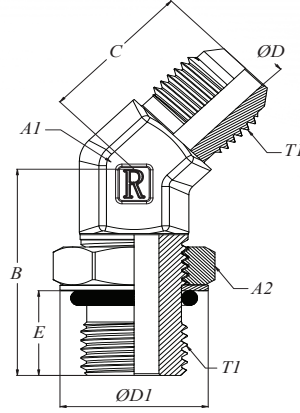


**UNF - UNF 90° KONTRALI DİRSEK**  
UNF 37° FLARE - ADJUSTABLE UNF THREAD WITH O-RING

MALZEME KODU MATERIAL CODE	DIŞ ÖLÇÜSÜ THREAD SIZE T1	DIŞ ÖLÇÜSÜ THREAD SIZE T1	B	E	C	ØD	ØD1	A1	A2
RK-1111-WWKD	7/16-20	7/16-20	26.5	11	21.5	4.5	15	12	14
RK-1212-WWKD	1/2-20	1/2-20	33.5	12	24.5	6	18	15	17
RK-1414-WWKD	9/16-18	9/16-18	33.5	12	24.5	7.5	20	15	19
RK-1616-WWKD	5/8-18	5/8-18	37	14	29.5	8	22	19	21
RK-1919-WWKD	3/4-16	3/4-16	37	14	29	10	25	19	24
RK-2222-WWKD	7/8-14	7/8-14	49	14.5	34	12.5	28	24	27
RK-2727-WWKD	1"1/16-12	1"1/16-12	49	16	38	15.5	33	30	32
RK-3333-WWKD	1"5/16-12	1"5/16-12	58	18	42	21.5	41	36	41



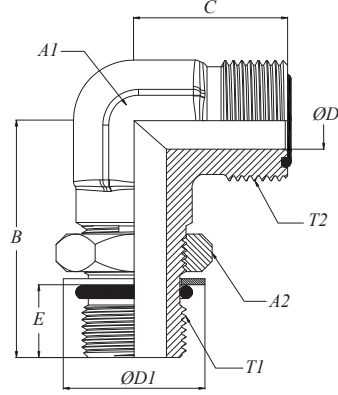
**UNF - UNF 45° KONTRALI DİRSEK**  
UNF - UNF 45° ADJUSTABLE STUD ELBOW



**UNF - UNF 45° KONTRALI DİRSEK**  
UNF 37° FLARE - ADJUSTABLE UNF THREAD WITH O-RING

MALZEME KODU MATERIAL CODE	DIŞ ÖLÇÜSÜ THREAD SIZE T1	DIŞ ÖLÇÜSÜ THREAD SIZE T1	B	E	C	ØD	ØD1	A1	A2
RK-1111-WWKD45	7/16-20	7/16-20	26.5	11	18.5	4.5	15	12	14
RK-1212-WWKD45	1/2-20	1/2-20	26.5	12	19.5	6	18	14	17
RK-1414-WWKD45	9/16-18	9/16-18	29	12	21	7.5	20	14	19
RK-1616-WWKD45	5/8-18	5/8-18	33	14	24	8	22	19	21
RK-1919-WWKD45	3/4-16	3/4-16	33	14	25	10	25	19	24
RK-2222-WWKD45	7/8-14	7/8-14	38.5	14.5	28	12.5	28	22	27
RK-2727-WWKD45	1"1/16-12	1"1/16-12	44	16	32.5	15.5	33	27	32
RK-3333-WWKD45	1"5/16-12	1"5/16-12	47	18	37.5	21.5	41	36	41

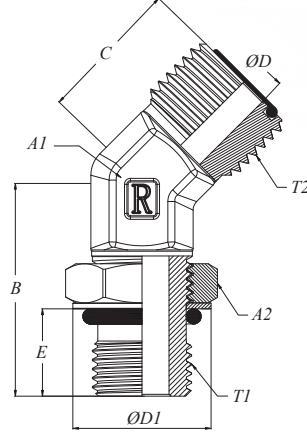
**UNF - ORFS 90° KONTRALI DİRSEK**  
UNF - ORFS 90° ADJUSTABLE STUD ELBOW



**UNF - ORFS 90° KONTRALI DİRSEK**  
ORFS TUBE END - ADJUSTABLE UNF THREAD WITH O-RING

MALZEME KODU MATERIAL CODE	DIŞ ÖLÇÜSÜ THREAD SIZE T1 (UNF)	DIŞ ÖLÇÜSÜ THREAD SIZE T2 (ORFS)	B	E	C	ØD	ØD1	A1	A2
RK-1414-WOKD	9/16-18	9/16-18	34	12	24	5	20	15	19
RK-1417-WOKD	9/16-18	11/16-16	34	12	24	6	20	15	19
RK-1421-WOKD	9/16-18	13/16-16	37	12	28	9	20	19	19
RK-1917-WOKD	3/4-16	11/16-16	37	14	27	6	25	19	24
RK-1921-WOKD	3/4-16	13/16-16	37	14	29	9	25	19	24
RK-1925-WOKD	3/4-16	1"-14	49	14	33	12	25	24	24
RK-2217-WOKD	7/8-14	11/16-16	49	14.5	33	6	28	24	27
RK-2221-WOKD	7/8-14	13/16-16	49	14.5	33	9	28	24	27
RK-2225-WOKD	7/8-14	1"-14	49	14.5	33	12	28	24	27
RK-2725-WOKD	1"1/16-12	1"-14	49	16	36	12	33	30	32
RK-2730-WOKD	1"1/16-12	1"3/16-12	49	16	38	15	33	30	32
RK-2737-WOKD	1"1/16-12	1"7/16-12	58.5	16	47	19	33	36	32
RK-3330-WOKD	1"5/16-12	1"3/16-12	58	18	42	15	41	36	41
RK-3337-WOKD	1"5/16-12	1"7/16-12	58	18	42	19	41	36	41

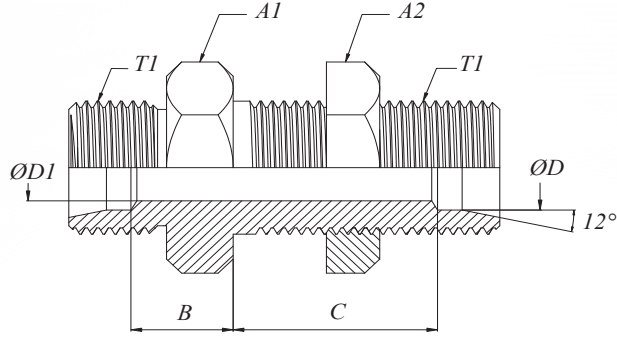
**UNF - ORFS 45° KONTRALI DİRSEK**  
UNF - ORFS 45° ADJUSTABLE STUD ELBOW



**UNF - ORFS 45° KONTRALI DİRSEK**  
ORFS TUBE END - ADJUSTABLE UNF THREAD WITH O-RING

MALZEME KODU MATERIAL CODE	DIŞ ÖLÇÜSÜ THREAD SIZE T1 (UNF)	DIŞ ÖLÇÜSÜ THREAD SIZE T2 (ORFS)	B	E	C	ØD	ØD1	A1	A2
RK-1414-WOKD45	9/16-18	9/16-18	33	12	21	5	20	19	19
RK-1417-WOKD45	9/16-18	11/16-16	33	12	22	6	20	19	19
RK-1421-WOKD45	9/16-18	13/16-16	33	12	24	9	20	19	19
RK-1917-WOKD45	3/4-16	11/16-16	34	14	22	6	25	19	24
RK-1921-WOKD45	3/4-16	13/16-16	34	14	24	9	25	19	24
RK-1925-WOKD45	3/4-16	1"-14	44	14	24	12	25	27	24
RK-2217-WOKD45	7/8-14	11/16-16	44	14.5	22	6	28	27	27
RK-2221-WOKD45	7/8-14	13/16-16	44	14.5	24	9	28	27	27
RK-2225-WOKD45	7/8-14	1"-14	44	14.5	24	12	28	27	27
RK-2725-WOKD45	1"1/16-12	1"-14	44	16	24	12	33	27	32
RK-2730-WOKD45	1"1/16-12	1"3/16-12	50	16	26	15	33	30	32
RK-2737-WOKD45	1"1/16-12	1"7/16-12	52	16	30	19	33	36	32
RK-3330-WOKD45	1"5/16-12	1"3/16-12	52	18	26	15	41	36	41
RK-3337-WOKD45	1"5/16-12	1"7/16-12	52	18	30	19	41	36	41

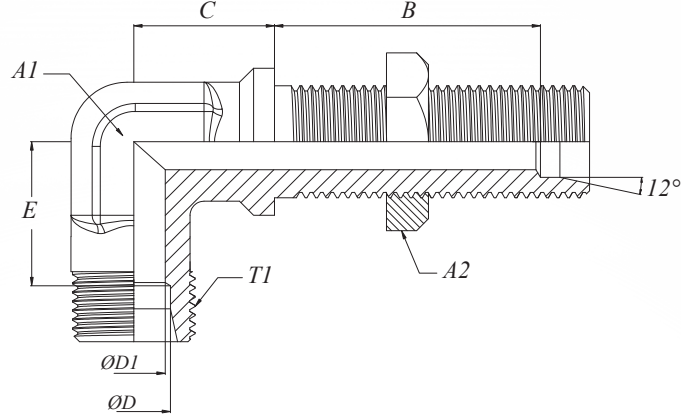
**METRİK PERDE GEÇİŞ NİPELİ**  
METRIC BULKHEAD UNION CONNECTOR



**METRİK PERDE GEÇİŞ NİPELİ**  
METRIC BULKHEAD UNION CONNECTOR

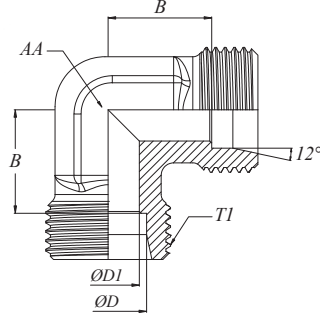
MALZEME KODU MATERIAL CODE	DIŞ ÖLÇÜSÜ THREAD SIZE T1	DIŞ ÖLÇÜSÜ THREAD SIZE T1	B	C	ØD	ØD1	A1	A2
<b>L TİPİ / L TYPE</b>								
RK-0606-MPGN-L	M12x1,5 6L	M12x1,5 6L	7	27	6	4	17	17
RK-0808-MPGN-L	M14x1,5 8L	M14x1,5 8L	8	27	8	6	19	19
RK-1010-MPGN-L	M16x1,5 10L	M16x1,5 10L	10	28	10	8	22	22
RK-1212-MPGN-L	M18x1,5 12L	M18x1,5 12L	10	29	12	10	24	24
RK-1515-MPGN-L	M22x1,5 15L	M22x1,5 15L	12	31	15	12	27	30
RK-1818-MPGN-L	M26x1,5 18L	M26x1,5 18L	13.5	32.5	18	15	32	36
RK-2222-MPGN-L	M30x2 22L	M30x2 22L	16.5	34.5	22	19	36	41
RK-2828-MPGN-L	M36x2 28L	M36x2 28L	18.5	35.5	28	24	41	46
RK-3535-MPGN-L	M45x2 35L	M45x2 35L	18.5	36.5	35	30	50	55
RK-4242-MPGN-L	M52x2 42L	M52x2 42L	19	36	42	36	60	65
<b>S TİPİ / S TYPE</b>								
RK-0606-MPGN-S	M14x1,5 6S	M14x1,5 6S	12	29	6	4	19	19
RK-0808-MPGN-S	M16x1,5 8S	M16x1,5 8S	13	29	8	5	22	22
RK-1010-MPGN-S	M18x1,5 10S	M18x1,5 10S	14.5	29.5	10	7	24	24
RK-1212-MPGN-S	M20x1,5 12S	M20x1,5 12S	14.5	30.5	12	8	27	27
RK-1616-MPGN-S	M24x1,5 16S	M24x1,5 16S	16.5	31.5	16	12	32	32
RK-2020-MPGN-S	M30x2 20S	M30x2 20S	17.5	33.5	20	16	41	41
RK-2525-MPGN-S	M36x2 25S	M36x2 25S	20	34.5	25	20	46	46
RK-3030-MPGN-S	M42x2 30S	M42x2 30S	21.5	37.5	30	25	50	50
RK-3838-MPGN-S	M52x2 38S	M52x2 38S	22	37	38	32	65	65

**METRİK PERDE GEÇİŞ DİRSEĞİ**  
METRIC BULKHEAD ELBOW



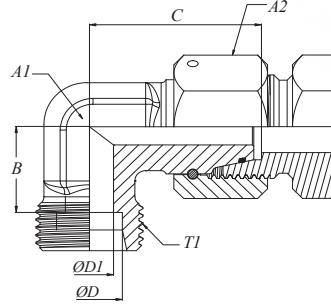
**METRİK PERDE GEÇİŞ DİRSEĞİ**  
METRIC BULKHEAD ELBOW

MALZEME KODU MATERIAL CODE	DIŞ ÖLÇÜSÜ THREAD SIZE T1	DIŞ ÖLÇÜSÜ THREAD SIZE T1	B	C	E	ØD	ØD1	A1	A2
<b>L TİPİ / L TYPE</b>									
RK-0606-MPGD-L	M12x1,5 6L	M12x1,5 6L	27	14	12	6	4	12	17
RK-0808-MPGD-L	M14x1,5 8L	M14x1,5 8L	27	17	14	8	6	12	19
RK-1010-MPGD-L	M16x1,5 10L	M16x1,5 10L	28	18	15	10	8	14	22
RK-1212-MPGD-L	M18x1,5 12L	M18x1,5 12L	29	20	17	12	10	17	24
RK-1515-MPGD-L	M22x1,5 15L	M22x1,5 15L	31	23	21	15	12	19	30
RK-1818-MPGD-L	M26x1,5 18L	M26x1,5 18L	32.5	24	23.5	18	15	24	36
RK-2222-MPGD-L	M30x2 22L	M30x2 22L	34.5	30	27.5	22	19	30	41
RK-2828-MPGD-L	M36x2 28L	M36x2 28L	35.5	34	30.5	28	24	36	46
<b>S TİPİ / S TYPE</b>									
RK-0606-MPGD-S	M14x1,5 6S	M14x1,5 6S	29	17	16	6	4	12	19
RK-0808-MPGD-S	M16x1,5 8S	M16x1,5 8S	29	18	17	8	5	14	22
RK-1010-MPGD-S	M18x1,5 10S	M18x1,5 10S	29.5	20	17.5	10	7	17	24
RK-1212-MPGD-S	M20x1,5 12S	M20x1,5 12S	30.5	21	21.5	12	8	17	27
RK-1616-MPGD-S	M24x1,5 16S	M24x1,5 16S	31.5	24	24.5	16	12	24	32
RK-2020-MPGD-S	M30x2 20S	M30x2 20S	33.5	30	26.5	20	16	30	41
RK-2525-MPGD-S	M36x2 25S	M36x2 25S	35	34	30	25	20	36	46

**METRİK DİRSEKLER**  
**METRIC ELBOWS**

**METRİK DİRSEKLER**  
**METRIC ELBOWS**

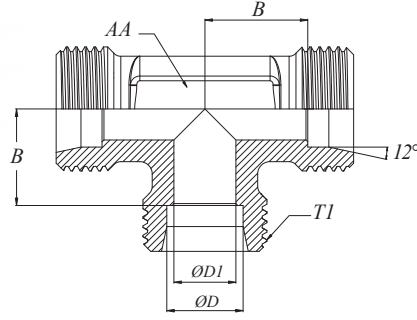
MALZEME KODU MATERIAL CODE	DİŞ ÖLÇÜSÜ THREAD SIZE T1	BORU ÇAPI TUBE OD ØD	B	ØD1	AA
<b>L TİPİ / L TYPE</b>					
RK-0606-MD-L	M12x1,5 6L	6	12	4	12
RK-0808-MD-L	M14x1,5 8L	8	14	6	12
RK-1010-MD-L	M16x1,5 10L	10	15	8	14
RK-1212-MD-L	M18x1,5 12L	12	17	10	17
RK-1515-MD-L	M22x1,5 15L	15	21	12	19
RK-1818-MD-L	M26x1,5 18L	18	23.5	15	24
RK-2222-MD-L	M30x2 22L	22	27.5	19	27
RK-2828-MD-L	M36x2 28L	28	30.5	24	36
RK-3535-MD-L	M45x2 35L	35	34.5	30	41
RK-4242-MD-L	M52x2 42L	42	40	36	50
<b>S TİPİ / S TYPE</b>					
RK-0606-MD-S	M14x1,5 6S	6	16	4	12
RK-0808-MD-S	M16x1,5 8S	8	15.5	5	14
RK-1010-MD-S	M18x1,5 10S	10	17.5	7	17
RK-1212-MD-S	M20x1,5 12S	12	21.5	8	17
RK-1616-MD-S	M24x1,5 16S	16	24.5	12	24
RK-2020-MD-S	M30x2 20S	20	26.5	16	27
RK-2525-MD-S	M36x2 25S	25	30	20	36
RK-3030-MD-S	M42x2 30S	30	35.5	25	41
RK-3838-MD-S	M52x2 38S	38	41	32	50

**METRİK TERS DİRSEKLER**  
METRIC SWIVEL ELBOWS



**METRİK TERS DİRSEKLER**  
METRIC SWIVEL ELBOWS

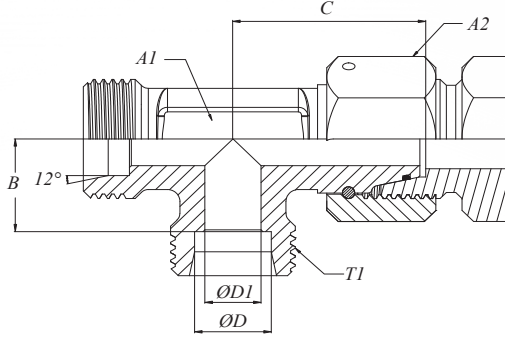
MALZEME KODU MATERIAL CODE	DİŞ ÖLÇÜSÜ THREAD SIZE T1	BORU ÇAPI TUBE OD ØD	B	C	ØD1	A1	A2
<b>L TİPİ / L TYPE</b>							
RK-0606-MTD-L	M12x1,5 6L	6	12	26	4	12	14
RK-0808-MTD-L	M14x1,5 8L	8	14	27,5	6	12	17
RK-1010-MTD-L	M16x1,5 10L	10	15	29	8	14	19
RK-1212-MTD-L	M18x1,5 12L	12	17	29,5	10	17	22
RK-1515-MTD-L	M22x1,5 15L	15	21	32,5	12	19	27
RK-1818-MTD-L	M26x1,5 18L	18	23,5	35,5	15	24	32
RK-2222-MTD-L	M30x2 22L	22	27,5	38,5	19	27	36
RK-2828-MTD-L	M36x2 28L	28	30,5	41,5	24	36	41
RK-3535-MTD-L	M45x2 35L	35	34,5	51	30	41	50
RK-4242-MTD-L	M52x2 42L	42	40	56	36	50	60
<b>S TİPİ / S TYPE</b>							
RK-0606-MTD-S	M14x1,5 6S	6	16	27	4	12	17
RK-0808-MTD-S	M16x1,5 8S	8	15,5	27,5	5	14	19
RK-1010-MTD-S	M18x1,5 10S	10	17,5	30	7	17	22
RK-1212-MTD-S	M20x1,5 12S	12	21,5	31	8	17	24
RK-1616-MTD-S	M24x1,5 16S	16	24,5	36,5	12	24	30
RK-2020-MTD-S	M30x2 20S	20	26,5	44,5	16	27	36
RK-2525-MTD-S	M36x2 25S	25	30	50	20	36	46
RK-3030-MTD-S	M42x2 30S	30	35,5	55	25	41	50
RK-3838-MTD-S	M52x2 38S	38	41	63	32	50	60

**METRİK TE**  
**METRIC TEE**

**METRİK TE**  
**METRIC TEE**

MALZEME KODU MATERIAL CODE	DİŞ ÖLÇÜSÜ THREAD SIZE T1	BORU ÇAPI TUBE OD ØD	B	ØD1	AA
<b>L TİPİ / L TYPE</b>					
RK-0606-MT-L	M12x1,5 6L	6	12	4	12
RK-0808-MT-L	M14x1,5 8L	8	14	6	12
RK-1010-MT-L	M16x1,5 10L	10	15	8	14
RK-1212-MT-L	M18x1,5 12L	12	17	10	17
RK-1515-MT-L	M22x1,5 15L	15	21	12	19
RK-1818-MT-L	M26x1,5 18L	18	23.5	15	24
RK-2222-MT-L	M30x2 22L	22	27.5	19	27
RK-2828-MT-L	M36x2 28L	28	30.5	24	36
RK-3535-MT-L	M45x2 35L	35	34.5	30	41
RK-4242-MT-L	M52x2 42L	42	40	36	50
<b>S TİPİ / S TYPE</b>					
RK-0606-MT-S	M14x1,5 6S	6	16	4	12
RK-0808-MT-S	M16x1,5 8S	8	15.5	5	14
RK-1010-MT-S	M18x1,5 10S	10	17.5	7	17
RK-1212-MT-S	M20x1,5 12S	12	21.5	8	17
RK-1616-MT-S	M24x1,5 16S	16	24.5	12	24
RK-2020-MT-S	M30x2 20S	20	26.5	16	27
RK-2525-MT-S	M36x2 25S	25	30	20	36
RK-3030-MT-S	M42x2 30S	30	35.5	25	41
RK-3838-MT-S	M52x2 38S	38	41	32	50

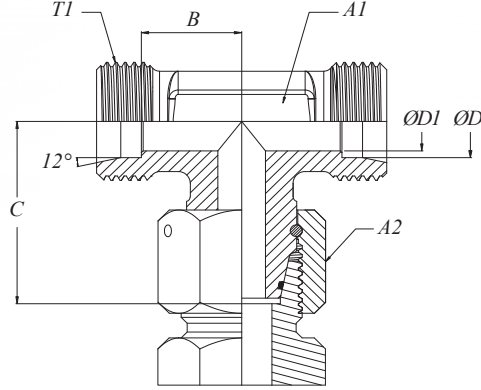


**METRİK YANBACAK TE**  
**METRIC SWIVEL RUN TEE**



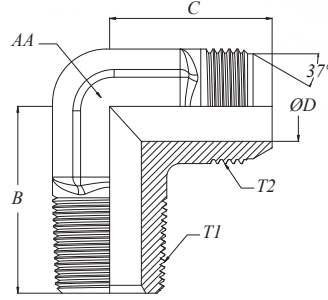
**METRİK YANBACAK TE**  
**METRIC SWIVEL RUN TEE**

MALZEME KODU MATERIAL CODE	DİŞ ÖLÇÜSÜ THREAD SIZE T1	BORU ÇAPI TUBE OD ØD	B	C	ØD1	A1	A2
<b>L TİPİ / L TYPE</b>							
RK-0606-MYT-L	M12x1,5 6L	6	12	26	4	12	14
RK-0808-MYT-L	M14x1,5 8L	8	14	27.5	6	12	17
RK-1010-MYT-L	M16x1,5 10L	10	15	29	8	14	19
RK-1212-MYT-L	M18x1,5 12L	12	17	29.5	10	17	22
RK-1515-MYT-L	M22x1,5 15L	15	21	32.5	12	19	27
RK-1818-MYT-L	M26x1,5 18L	18	23.5	35.5	15	24	32
RK-2222-MYT-L	M30x2 22L	22	27.5	38.5	19	27	36
RK-2828-MYT-L	M36x2 28L	28	30.5	41.5	24	36	41
RK-3535-MYT-L	M45x2 35L	35	34.5	51	30	41	50
RK-4242-MYT-L	M52x2 42L	42	40	56	36	50	60
<b>S TİPİ / S TYPE</b>							
RK-0606-MYT-S	M14x1,5 6S	6	16	27	4	12	17
RK-0808-MYT-S	M16x1,5 8S	8	15.5	27.5	5	14	19
RK-1010-MYT-S	M18x1,5 10S	10	17.5	30	7	17	22
RK-1212-MYT-S	M20x1,5 12S	12	21.5	31	8	17	24
RK-1616-MYT-S	M24x1,5 16S	16	24.5	36.5	12	24	30
RK-2020-MYT-S	M30x2 20S	20	26.5	44.5	16	27	36
RK-2525-MYT-S	M36x2 25S	25	30	50	20	36	46
RK-3030-MYT-S	M42x2 30S	30	35.5	55	25	41	50
RK-3838-MYT-S	M52x2 38S	38	41	63	32	50	60

**METRİK ORTABACAĞI**  
**METRIC SWIVEL BRANCH TEE**

**METRİK ORTABACAĞI**  
**METRIC SWIVEL BRANCH TEE**

MALZEME KODU MATERIAL CODE	DİŞ ÖLÇÜSÜ THREAD SIZE T1	BORU ÇAP TUBE ØD ØD	B	C	ØD1	A1	A2
<b>LTİPİ/LTYPE</b>							
RK-0606-MOT-L	M12x1,5 6L	6	12	26	4	12	14
RK-0808-MOT-L	M14x1,5 8L	8	14	27,5	6	12	17
RK-1010-MOT-L	M16x1,5 10L	10	15	29	8	14	19
RK-1212-MOT-L	M18x1,5 12L	12	17	29,5	10	17	22
RK-1515-MOT-L	M22x1,5 15L	15	21	32,5	12	19	27
RK-1818-MOT-L	M26x1,5 18L	18	23,5	35,5	15	24	32
RK-2222-MOT-L	M30x2 22L	22	27,5	38,5	19	27	36
RK-2828-MOT-L	M36x2 28L	28	30,5	41,5	24	36	41
RK-3535-MOT-L	M45x2 35L	35	34,5	51	30	41	50
RK-4242-MOT-L	M52x2 42L	42	40	56	36	50	60
<b>STİPİ/STYPE</b>							
RK-0606-MOT-S	M14x1,5 6S	6	16	27	4	12	17
RK-0808-MOT-S	M16x1,5 8S	8	15,5	27,5	5	14	19
RK-1010-MOT-S	M18x1,5 10S	10	17,5	30	7	17	22
RK-1212-MOT-S	M20x1,5 12S	12	21,5	31	8	17	24
RK-1616-MOT-S	M24x1,5 16S	16	24,5	36,5	12	24	30
RK-2020-MOT-S	M30x2 20S	20	26,5	44,5	16	27	36
RK-2525-MOT-S	M36x2 25S	25	30	50	20	36	46
RK-3030-MOT-S	M42x2 30S	30	35,5	55	25	41	50
RK-3838-MOT-S	M52x2 38S	38	41	63	32	50	60

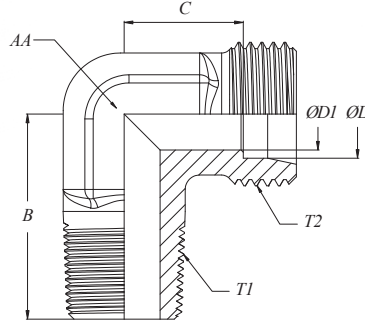
**BSPT - UNF DİRSEKLER**  
BSPT - UNF MALE STUD ELBOW



**BSPT - UNF DİRSEKLER**  
UNF 37° FLARE END - MALE BSPT THREAD ELBOWS

MALZEME KODU MATERIAL CODE	DIŞ ÖLÇÜSÜ THREAD SIZE T1	DIŞ ÖLÇÜSÜ THREAD SIZE T2	B	C	ØD	AA
RK-1011-NWD	1/8-28 BSPT	7/16-20 UNF	20	20	4.5	12
RK-1311-NWD	1/4-19 BSPT	7/16-20 UNF	28	23	4.5	14
RK-1312-NWD	1/4-19 BSPT	1/2-20 UNF	28	23	6	14
RK-1314-NWD	1/4-19 BSPT	9/16-18 UNF	29	25	7.5	17
RK-1316-NWD	1/4-19 BSPT	5/8-18 UNF	29	25	8	17
RK-1319-NWD	1/4-19 BSPT	3/4-16 UNF	30	30	10	17
RK-1712-NWD	3/8-19 BSPT	1/2-20 UNF	28.5	25	6	17
RK-1714-NWD	3/8-19 BSPT	9/16-18 UNF	28.5	25	7.5	17
RK-1716-NWD	3/8-19 BSPT	5/8-18 UNF	28.5	25	8	17
RK-1719-NWD	3/8-19 BSPT	3/4-16 UNF	30	30	10	17
RK-2114-NWD	1/2-14 BSPT	9/16-18 UNF	32.5	28.5	7.5	19
RK-2116-NWD	1/2-14 BSPT	5/8-18 UNF	32.5	28.5	8	19
RK-2119-NWD	1/2-14 BSPT	3/4-16 UNF	32.5	28.5	10	19
RK-2122-NWD	1/2-14 BSPT	7/8-14 UNF	34.5	33.5	12.5	24
RK-2127-NWD	1/2-14 BSPT	1"1/16-12 UNF	40	37.5	15.5	27
RK-2619-NWD	3/4-14 BSPT	3/4-16 UNF	42	37.5	10	27
RK-2622-NWD	3/4-14 BSPT	7/8-14 UNF	42	37.5	12.5	27
RK-2627-NWD	3/4-14 BSPT	1"1/16-12 UNF	42	37.5	15.5	27
RK-3327-NWD	1"-11 BSPT	1"1/16-12 UNF	45.5	43	15.5	36
RK-3333-NWD	1"-11 BSPT	1"5/16-12 UNF	45.5	42.5	21.5	36

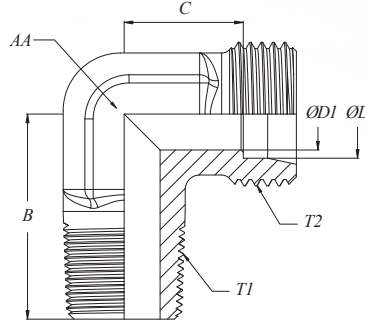
**BSPT - METRİK DİRSEKLER**  
BSPT - METRIC MALE STUD ELBOW



**BSPT - METRİK DİRSEKLER**  
METRIC 24° CONE END - MALE BSPT THREAD ELBOWS

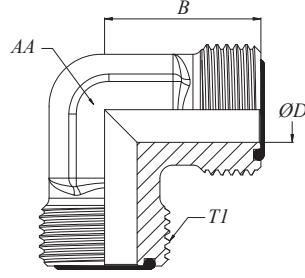
MALZEME KODU MATERIAL CODE	DİŞ ÖLÇÜSÜ THREAD SIZE T1	DİŞ ÖLÇÜSÜ THREAD SIZE T2	B	C	ØD	ØD1	AA
<b>L TİPİ / L TYPE</b>							
RK-1006-NMD-LL	1/8-28 BSPT	M10x1 6LL	19	12.5	6	4.5	12
RK-1006-NMD-L	1/8-28 BSPT	M12x1,5 6L	20	13	6	4	12
RK-1008-NMD-L	1/8-28 BSPT	M14x1,5 8L	22	14	8	6	12
RK-1306-NMD-L	1/4-19 BSPT	M12x1,5 6L	28	14	6	4	14
RK-1308-NMD-L	1/4-19 BSPT	M14x1,5 8L	28	14	8	6	14
RK-1310-NMD-L	1/4-19 BSPT	M16x1,5 10L	28	15	10	8	14
RK-1312-NMD-L	1/4-19 BSPT	M18x1,5 12L	28.5	17	12	10	17
RK-1708-NMD-L	3/8-19 BSPT	M14x1,5 8L	28.5	14.5	8	6	17
RK-1710-NMD-L	3/8-19 BSPT	M16x1,5 10L	28.5	17	10	8	17
RK-1712-NMD-L	3/8-19 BSPT	M18x1,5 12L	28.5	17	12	10	17
RK-2110-NMD-L	1/2-14 BSPT	M16x1,5 10L	32	20	10	8	19
RK-2112-NMD-L	1/2-14 BSPT	M18x1,5 12L	32	21	12	10	19
RK-2115-NMD-L	1/2-14 BSPT	M22x1,5 15L	32	21	15	12	19
RK-2118-NMD-L	1/2-14 BSPT	M26x1,5 18L	34.5	24	18	15	24
RK-2622-NMD-L	3/4-14 BSPT	M30x2 22L	42	27.5	22	19	27
RK-3328-NMD-L	1"-11 BSPT	M36x2 28L	46	31	28	24	36
RK-4235-NMD-L	1 1/4"-11 BSPT	M45x2 35L	49	34.5	35	30	41
RK-4842-NMD-L	1 1/2"-11 BSPT	M52x2 42L	60	40	42	36	50

**BSPT - METRİK DİRSEKLER**  
BSPT - METRIC MALE STUD ELBOW



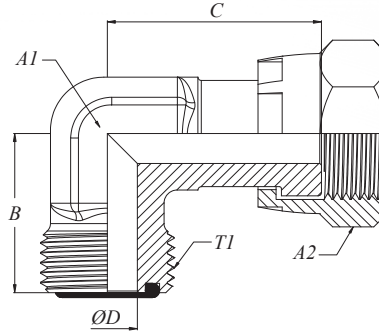
**BSPT - METRİK DİRSEKLER**  
METRIC 24° CONE END - MALE BSPT THREAD ELBOWS

MALZEME KODU MATERIAL CODE	DİŞ ÖLÇÜSÜ THREAD SIZE T1	DİŞ ÖLÇÜSÜ THREAD SIZE T2	B	C	ØD	ØD1	AA
<b>S TİPİ / S TYPE</b>							
RK-1306-NMD-S	1/4-19 BSPT	M14x1,5 6S	28	15.5	6	4	14
RK-1308-NMD-S	1/4-19 BSPT	M16x1,5 8S	28	15.5	8	5	14
RK-1310-NMD-S	1/4-19 BSPT	M18x1,5 10S	28.5	16.5	10	7	17
RK-1708-NMD-S	3/8-19 BSPT	M16x1,5 8S	28.5	16.5	8	5	17
RK-1710-NMD-S	3/8-19 BSPT	M18x1,5 10S	28.5	16.5	10	7	17
RK-1712-NMD-S	3/8-19 BSPT	M20x1,5 12S	28.5	21.5	12	8	17
RK-1716-NMD-S	3/8-19 BSPT	M24x1,5 16S	34	24.5	16	12	24
RK-2112-NMD-S	1/2-14 BSPT	M20x1,5 12S	32	20.5	12	8	19
RK-2116-NMD-S	1/2-14 BSPT	M24x1,5 16S	34	24.5	16	12	24
RK-2120-NMD-S	1/2-14 BSPT	M30x2 20S	42	26.5	20	16	27
RK-2616-NMD-S	3/4-14 BSPT	M24x1,5 16S	42	28.5	16	12	27
RK-2620-NMD-S	3/4-14 BSPT	M30x2 20S	42	26.5	20	16	27
RK-2625-NMD-S	3/4-14 BSPT	M36x2 25S	42.5	30	25	20	36
RK-3320-NMD-S	1"-11 BSPT	M30x2 20S	46	32	20	16	36
RK-3325-NMD-S	1"-11 BSPT	M36x2 25S	46	30	25	20	36
RK-3330-NMD-S	1"-11 BSPT	M42x2 30S	49.5	35.5	30	25	41
RK-4230-NMD-S	1"1/4-11 BSPT	M42x2 30S	49.5	35.5	30	25	41
RK-4238-NMD-S	1"1/4-11 BSPT	M52x2 38S	60	42	38	32	50
RK-4838-NMD-S	1"1/2-11 BSPT	M52x2 38S	60	41	38	32	50

**ORFS DİRSEKLER**  
**ORFS ELBOWS**

**ORFS DİRSEKLER**  
**ORFS ELBOWS**

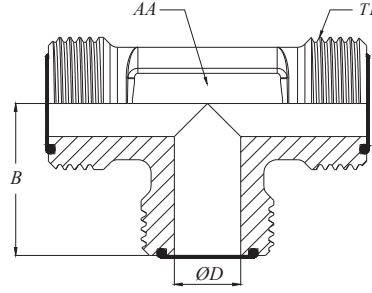
MALZEME KODU MATERIAL CODE	DİŞ ÖLÇÜSÜ THREAD SIZE T1	BORU ÇAPI TUBE OD	B	ØD	AA
RK-1414-OD	9/16-18	6	21	5	12
RK-1717-OD	11/16-16	10	24	6	17
RK-2121-OD	13/16-16	12	29	9	17
RK-2525-OD	1"-14	16	31	12	24
RK-3030-OD	1"3/16-12	20	37	15	27
RK-3737-OD	1"7/16-12	25	42	19	36
RK-4343-OD	1"11/16-12	30	48.5	25	41

**ORFS TERS DİRSEKLER**  
ORFS SWIVEL ELBOWS



**ORFS TERS DİRSEKLER**  
ORFS SWIVEL ELBOWS

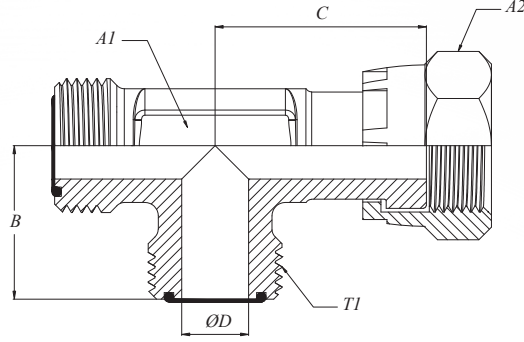
MALZEME KODU MATERIAL CODE	DİŞ ÖLÇÜSÜ THREAD SIZE T1	BORU ÇAPI TUBE OD	B	C	ØD	A1	A2
RK-1414-OTD	9/16-18	6	21	24	5	12	19
RK-1717-OTD	11/16-16	10	24	28	6	17	22
RK-2121-OTD	13/16-16	12	29	29.5	9	17	24
RK-2525-OTD	1"-14	16	31	36	12	24	30
RK-3030-OTD	1"3/16-12	20	37	42	15	27	36
RK-3737-OTD	1"7/16-12	25	42	45.5	19	36	41
RK-4343-OTD	1"11/16-12	30	48.5	49.5	25	41	50

**ORFS TE**  
**ORFS TEE**

**ORFS TE**  
**ORFS TEE**

MALZEME KODU MATERIAL CODE	DIŞ ÖLÇÜSÜ THREAD SIZE T1	BORU ÇAPI TUBE OD	B	ØD	AA
RK-1414-OT	9/16-18	6	21	5	12
RK-1717-OT	11/16-16	10	24	6	17
RK-2121-OT	13/16-16	12	29	9	17
RK-2525-OT	1"-14	16	31	12	24
RK-3030-OT	1"3/16-12	20	37	15	27
RK-3737-OT	1"7/16-12	25	42	19	36
RK-4343-OT	1"11/16-12	30	48.5	25	41



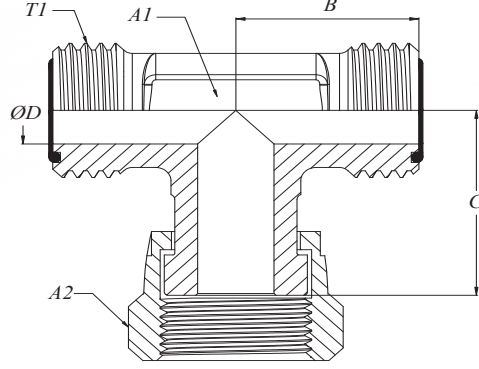
**ORFS YANBACAK TE**  
**ORFS SWIVEL RUN TEE**



**ORFS YANBACAK TE**  
**ORFS SWIVEL RUN TEE**

MALZEME KODU MATERIAL CODE	DİŞ ÖLÇÜSÜ THREAD SIZE T1	BORU ÇAPI TUBE OD	B	C	ØD	A1	A2
RK-1414-OYT	9/16-18	6	21	24	5	12	19
RK-1717-OYT	11/16-16	10	24	28	6	17	22
RK-2121-OYT	13/16-16	12	29	29.5	9	17	24
RK-2525-OYT	1"-14	16	31	36	12	24	30
RK-3030-OYT	1"3/16-12	20	37	42	15	27	36
RK-3737-OYT	1"7/16-12	25	42	45.5	19	36	41
RK-4343-OYT	1"11/16-12	30	48.5	49.5	25	41	50

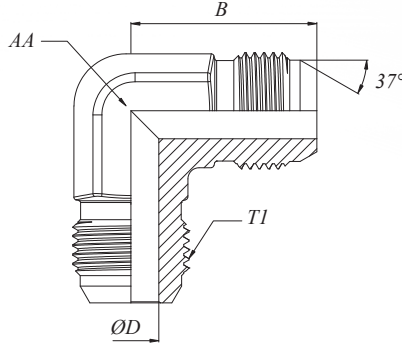
**ORFS ORTABACAĞ TE**  
ORFS SWIVEL BRANCH TEE



**ORFS ORTABACAĞ TE**  
ORFS SWIVEL BRANCH TEE

MALZEME KODU MATERIAL CODE	DİŞ ÖLÇÜSÜ THREAD SIZE T1	BORU ÇAPI TUBE OD	B	C	ØD	A1	A2
RK-1414-OOT	9/16-18	6	21	24	5	12	19
RK-1717-OOT	11/16-16	10	24	28	6	17	22
RK-2121-OOT	13/16-16	12	29	29.5	9	17	24
RK-2525-OOT	1"-14	16	31	36	12	24	30
RK-3030-OOT	1"3/16-12	20	37	42	15	27	36
RK-3737-OOT	1"7/16-12	25	42	45.5	19	36	41
RK-4343-OOT	1"11/16-12	30	48.5	49.5	25	41	50

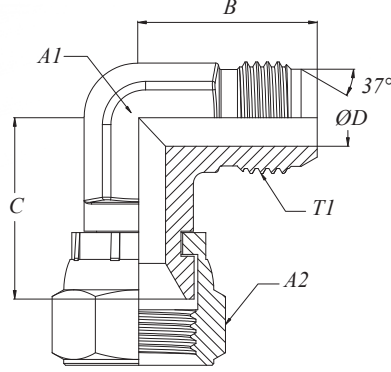
**UNF DİRSEKLER**  
UNF ELBOWS



**UNF DİRSEKLER**  
UNF ELBOWS

MALZEME KODU MATERIAL CODE	DIŞ ÖLÇÜSÜ THREAD SIZE T1	BORU ÇAPI TUBE OD	B	ØD	AA
RK-1111-WD	7/16-20	6	20	4.5	12
RK-1212-WD	1/2-20	8	23.5	6	14
RK-1414-WD	9/16-18	10	25	7.5	17
RK-1616-WD	5/8-18	10/12	25	8	17
RK-1919-WD	3/4-16	12	30	10	17
RK-2222-WD	7/8-14	16	34	12.5	24
RK-2727-WD	1"1/16-12	20	38	15.5	27
RK-3333-WD	1"5/16-12	25	43	21.5	36
RK-4141-WD	1"5/8-12	30/32	50	27.5	41
RK-4747-WD	1"7/8-12	38	57.5	33.5	50

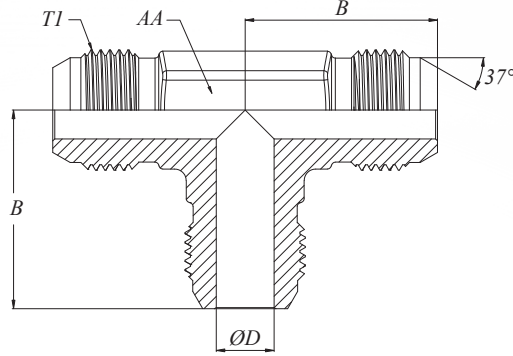
**UNF TERS DİRSEKLER**  
UNF SWIVEL ELBOWS



**UNF TERS DİRSEKLER**  
UNF SWIVEL ELBOWS

MALZEME KODU MATERIAL CODE	DİŞ ÖLÇÜSÜ THREAD SIZE T1	BORU ÇAPI TUBE OD	B	C	ØD	A1	A2
RK-1111-WTD	7/16-20	6	20	20	4.5	12	16
RK-1212-WTD	1/2-20	8	25	22	6	12	17
RK-1414-WTD	9/16-18	10	27.5	23	7.5	14	19
RK-1616-WTD	5/8-18	10/12	28.5	24	8	17	21
RK-1919-WTD	3/4-16	12	30	29.5	10	17	24
RK-2222-WTD	7/8-14	16	34	33.5	12.5	24	27
RK-2727-WTD	1"1/16-12	20	42	38	15.5	27	32
RK-3333-WTD	1"5/16-12	25	43	42	21.5	36	41
RK-4141-WTD	1"5/8-12	30/32	50	49	27.5	41	50
RK-4747-WTD	1"7/8-12	38	57.5	57.5	33.5	50	55

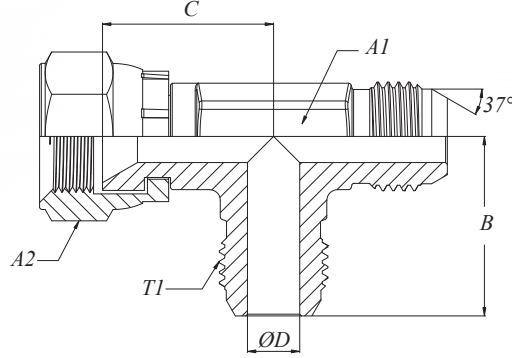
**UNF TE**  
UNF TEE



**UNF TE**  
UNF TEE

MALZEME KODU MATERIAL CODE	DİŞ ÖLÇÜSÜ THREAD SIZE T1	BORU ÇAPI TUBE OD	B	ØD	AA
RK-1111-WT	7/16-20	6	20	4.5	12
RK-1212-WT	1/2-20	8	23.5	6	14
RK-1414-WT	9/16-18	10	25	7.5	17
RK-1616-WT	5/8-18	10/12	25	8	17
RK-1919-WT	3/4-16	12	30	10	17
RK-2222-WT	7/8-14	16	34	12.5	24
RK-2727-WT	1"1/16-12	20	38	15.5	27
RK-3333-WT	1"5/16-12	25	43	21.5	36
RK-4141-WT	1"5/8-12	30/32	50	27.5	41
RK-4747-WT	1"7/8-12	38	57.5	33.5	50

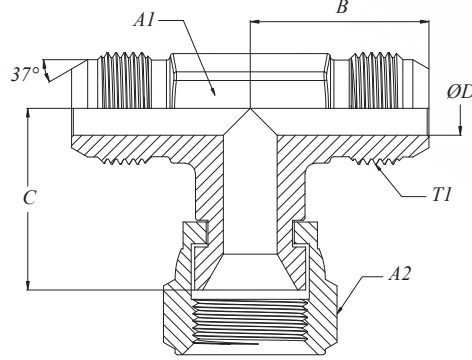
**UNF YANBACAK TE**  
UNF SWIVEL RUN TEE



**UNF YANBACAK TE**  
UNF SWIVEL RUN TEE

MALZEME KODU MATERIAL CODE	DİŞ ÖLÇÜSÜ THREAD SIZE T1	BORU ÇAPI TUBE OD	B	C	ØD	A1	A2
RK-1111-WYT	7/16-20	6	20	20	4.5	12	16
RK-1212-WYT	1/2-20	8	23.5	23	6	14	17
RK-1414-WYT	9/16-18	10	25	24.5	7.5	17	19
RK-1616-WYT	5/8-18	10/12	25	24.5	8	17	21
RK-1919-WYT	3/4-16	12	30	29.5	10	17	24
RK-2222-WYT	7/8-14	16	34	33.5	12.5	24	27
RK-2727-WYT	1"1/16-12	20	38	37	15.5	27	32
RK-3333-WYT	1"5/16-12	25	43	42	21.5	36	41
RK-4141-WYT	1"5/8-12	30/32	50	49	27.5	41	50
RK-4747-WYT	1"7/8-12	38	57.5	57.5	33.5	50	55

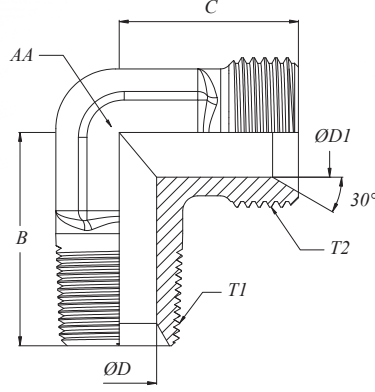
**UNF ORTABACAK TE**  
UNF SWIVEL BRANCH TEE



**UNF ORTABACAK TE**  
UNF SWIVEL BRANCH TEE

MALZEME KODU MATERIAL CODE	DİŞ ÖLÇÜSÜ THREAD SIZE T1	BORU ÇAPI TUBE OD	B	C	ØD	A1	A2
RK-1111-WOT	7/16-20	6	20	20	4.5	12	16
RK-1212-WOT	1/2-20	8	23.5	23	6	14	17
RK-1414-WOT	9/16-18	10	25	24.5	7.5	17	19
RK-1616-WOT	5/8-18	10/12	25	24.5	8	17	21
RK-1919-WOT	3/4-16	12	30	29.5	10	17	24
RK-2222-WOT	7/8-14	16	34	33.5	12.5	24	27
RK-2727-WOT	1"1/16-12	20	38	37	15.5	27	32
RK-3333-WOT	1"5/16-12	25	43	42	21.5	36	41
RK-4141-WOT	1"5/8-12	30/32	50	49	27.5	41	50
RK-4747-WOT	1"7/8-12	38	57.5	57.5	33.5	50	55

**BSPT - BSP DİRSEKLER**  
BSPT - BSP MALE STUD ELBOW

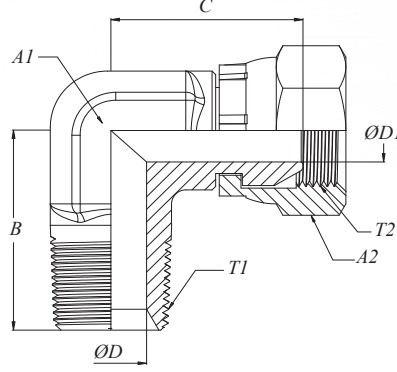


**BSPT - BSP DİRSEKLER**  
BSP 60° CONE END - MALE BSPT THREAD ELBOWS

MALZEME KODU MATERIAL CODE	DİŞ ÖLÇÜSÜ THREAD SIZE T1	DİŞ ÖLÇÜSÜ THREAD SIZE T2	B	C	ØD	ØD1	AA
RK-1010-NRD	1/8-28 BSPT	R1/8-28	20	20	4	4	12
RK-1313-NRD	1/4-19 BSPT	R1/4-19	28	22.5	7	7	14
RK-1717-NRD	3/8-19 BSPT	R3/8-19	28.5	24.5	9	9	17
RK-2121-NRD	1/2-14 BSPT	R1/2-14	32.5	28	12	12	19
RK-2626-NRD	3/4-14 BSPT	R3/4-14	42	37	15	15	27
RK-3333-NRD	1"-11 BSPT	R1"-11	45.5	42.5	20	20	36
RK-4242-NRD	1"1/4-11 BSPT	R1"1/4-11	50	49	26	26	41
RK-4848-NRD	1"1/2-11 BSPT	R1"1/2-11	60	57	31	31	50

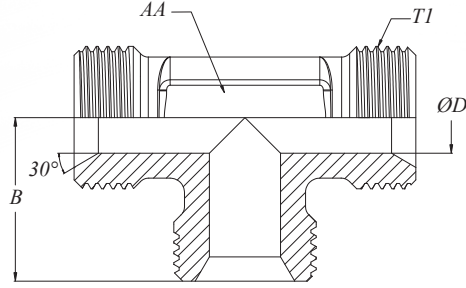


**BSPT - BSP TERS DİRSEKLER**  
MALE BSPT THREAD - BSP FEMALE SWIVEL ELBOWS



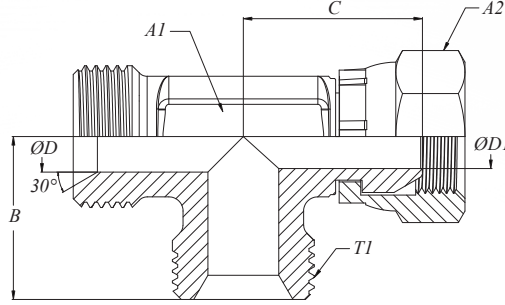
**BSPT - BSP TERS DİRSEKLER**  
MALE BSPT THREAD - BSP FEMALE SWIVEL ELBOWS

MALZEME KODU MATERIAL CODE	DIŞ ÖLÇÜSÜ THREAD SIZE T1	DIŞ ÖLÇÜSÜ THREAD SIZE T2	B	C	ØD	ØD1	A1	A2
RK-1010-RTD	1/8-28 BSPT	R1/8-28	20	20	4	4	12	14
RK-1313-RTD	1/4-19 BSPT	R1/4-19	28	23	7	5.5	14	17
RK-1717-RTD	3/8-19 BSPT	R3/8-19	28.5	25	9	8	17	22
RK-2121-RTD	1/2-14 BSPT	R1/2-14	32.5	28	12	10	19	27
RK-2626-RTD	3/4-14 BSPT	R3/4-14	42	37.5	15	15	27	32
RK-3333-RTD	1"-11 BSPT	R1"-11	45.5	43	20	20	36	41
RK-4242-RTD	1 1/4"-11 BSPT	R1 1/4"-11	50	49.5	26	26	41	50
RK-4848-RTD	1 1/2"-11 BSPT	R1 1/2"-11	60	58	31	31	50	55
RK-6060-RTD	2"-11 BSPT	R2"-11	77.5	78	44	44	60	70

**BSP TE**  
**BSP TEE**

**BSP TE**  
**BSP TEE**

MALZEME KODU MATERIAL CODE	DIŞ ÖLÇÜSÜ THREAD SIZE T1	B	ØD	AA
RK-1010-RTE	R1/8-28	20	4	12
RK-1313-RTE	R1/4-19	21.5	6	12
RK-1717-RTE	R3/8-19	22.5	9	14
RK-2121-RTE	R1/2-14	28.5	12	21
RK-2626-RTE	R3/4-14	31	15	24
RK-3333-RTE	R1"-11	42	20	36
RK-4242-RTE	R1"1/4-11	49	26	41
RK-4848-RTE	R1"1/2-11	58	31	50

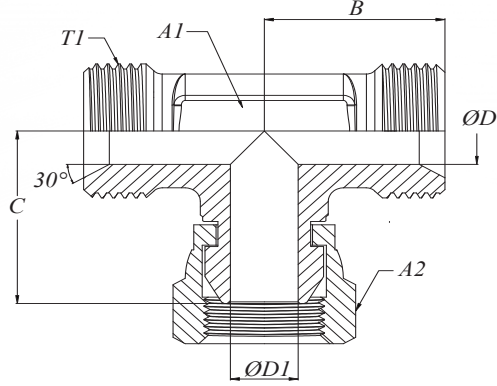
**BSP YANBACAĞI**  
BSP SWIVEL RUN TEE



**BSP YANBACAĞI**  
BSP SWIVEL RUN TEE

MALZEME KODU MATERIAL CODE	DİŞ ÖLÇÜSÜ THREAD SIZE T1	B	C	ØD	ØD1	A1	A2
RK-1010-RYT	R1/8-28	20	20	4	4	12	14
RK-1313-RYT	R1/4-19	21.5	21.5	6	5.5	12	17
RK-1717-RYT	R3/8-19	22.5	22.5	9	8	14	22
RK-2121-RYT	R1/2-14	28.5	28.5	12	10	21	27
RK-2626-RYT	R3/4-14	31	36	15	15	24	32
RK-3333-RYT	R1"-11	42	42	20	20	36	41
RK-4242-RYT	R1"1/4-11	49	49	26	26	41	50
RK-4848-RYT	R1"1/2-11	58	58	31	31	50	55

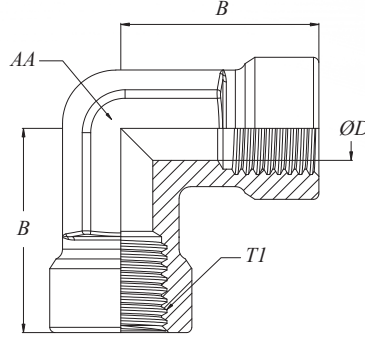
**BSP ORTABACAK TE**  
BSP SWIVEL BRANCH TEE



**BSP ORTABACAK TE**  
BSP SWIVEL BRANCH TEE

MALZEME KODU MATERIAL CODE	DIŞ ÖLÇÜSÜ THREAD SIZE T1	B	C	ØD	ØD1	A1	A2
RK-1010-ROT	R1/8-28	20	20	4	4	12	14
RK-1313-ROT	R1/4-19	21.5	21.5	6	5.5	12	17
RK-1717-ROT	R3/8-19	22.5	22.5	9	8	14	22
RK-2121-ROT	R1/2-14	28.5	28.5	12	10	21	27
RK-2626-ROT	R3/4-14	31	36	15	15	24	32
RK-3333-ROT	R1"-11	42	42	20	20	36	41
RK-4242-ROT	R1"1/4-11	49	49	26	26	41	50
RK-4848-ROT	R1"1/2-11	58	58	31	31	50	55

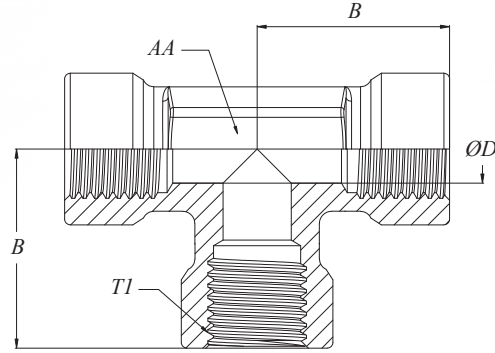
**BSP DİŞİ DİRSEKLER**  
BSP FEMALE THREAD ELBOWS



**BSP DİŞİ DİRSEKLER**  
BSP FEMALE THREAD ELBOWS

MALZEME KODU MATERIAL CODE	DİŞ ÖLÇÜSÜ THREAD SIZE T1	B	ØD	AA
RK-1010-DD	R1/8-28	22	8.5	14
RK-1313-DD	R1/4-19	22	11	19
RK-1717-DD	R3/8-19	26	14	22
RK-2121-DD	R1/2-14	31	16	27
RK-2626-DD	R3/4-14	40	20	33
RK-3333-DD	R1"-11	46	25	41
RK-4242-DD	R1"1/4-11	57	29	50
RK-4848-DD	R1"1/2-11	78	43	60

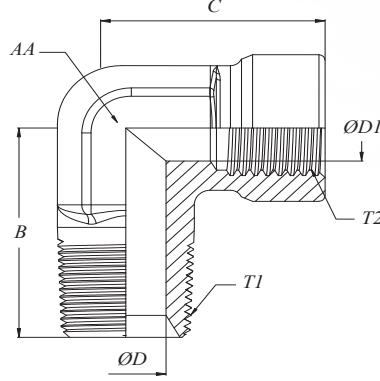
**BSP Diři TE**  
BSP FEMALE THREAD TEE



**BSP Diři TE**  
BSP FEMALE THREAD TEE

MALZEME KODU MATERIAL CODE	Diř ÖLÇÜSÜ THREAD SIZE T1	B	ØD	AA
RK-1010-DT	R1/8-28	22	8.5	14
RK-1313-DT	R1/4-19	22	11	19
RK-1717-DT	R3/8-19	26	14	22
RK-2121-DT	R1/2-14	31	16	27
RK-2626-DT	R3/4-14	40	20	33
RK-3333-DT	R1"-11	46	25	41
RK-4242-DT	R1"1/4-11	57	29	50

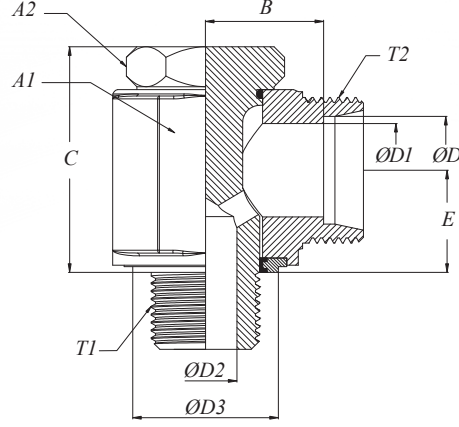
**BSPT - BSP KUYRUKLU DİRSEK**  
BSPT MALE - BSP FEMALE THREAD ELBOW



**BSPT - BSP KUYRUKLU DİRSEK**  
MALE BSPT THREAD - FEMALE BSP THREAD ELBOW

MALZEME KODU MATERIAL CODE	DIŞ ÖLÇÜSÜ THREAD SIZE T1	DIŞ ÖLÇÜSÜ THREAD SIZE T2	B	C	ØD	ØD1	AA
RK-1010-KD	1/8-28 BSPT	R1/8-28	22.5	22.5	4	7	14
RK-1313-KD	1/4-19 BSPT	R1/4-19	30	29	7	9	17
RK-1717-KD	3/8-19 BSPT	R3/8-19	34	33	9	11	24
RK-2121-KD	1/2-14 BSPT	R1/2-14	38	37	12	15	27
RK-2626-KD	3/4-14 BSPT	R3/4-14	42.5	41.5	15	15.5	36
RK-3333-KD	1"-11 BSPT	R1"-11	50	49.5	20	25	41
RK-4242-KD	1"1/4-11 BSPT	R1"1/4-11	61	57	26	29	50
RK-4848-KD	1"1/2-11 BSPT	R1"1/2-11	78	77	33	40	60

**BSP - METRİK DÖNER DİRSEK**  
BSP - METRIC BANJO ELBOW

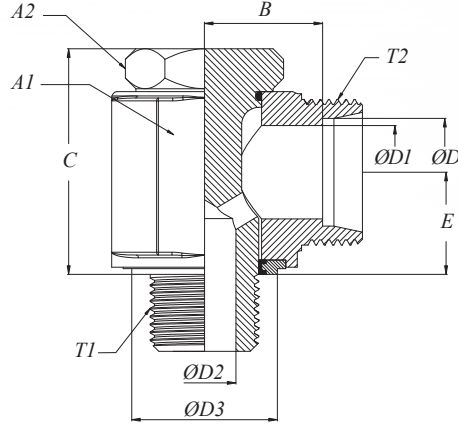


**BSP - METRİK DÖNER DİRSEK**  
METRIC 24° CONE - MALE BSP STUD BANJO ELBOW

MALZEME KODU MATERIAL CODE	DIŞ ÖLÇÜSÜ THREAD SIZE T1	DIŞ ÖLÇÜSÜ THREAD SIZE T2	ØD	ØD1	ØD2	ØD3	B	C	E	A1	A2
<b>L TİPİ / L TYPE</b>											
RK-1006-RMDD-L	R1/8-28	M12x1,5 6L	6	4	4.5	14	12	25	10.5	17	14
RK-1008-RMDD-L	R1/8-28	M14x1,5 8L	8	6	4.5	14	12	25	10.5	17	14
RK-1306-RMDD-L	R1/4-19	M12x1,5 6L	6	4	5	17.5	14.5	29.5	14	22	19
RK-1308-RMDD-L	R1/4-19	M14x1,5 8L	8	6	5	17.5	14.5	29.5	14	22	19
RK-1310-RMDD-L	R1/4-19	M16x1,5 10L	10	8	5	17.5	16	29.5	14	22	19
RK-1312-RMDD-L	R1/4-19	M18x1,5 12L	12	10	5	17.5	16.5	29.5	14	22	19
RK-1706-RMDD-L	R3/8-19	M12x1,5 6L	6	4	8	21.5	17.5	35.5	16.5	27	22
RK-1708-RMDD-L	R3/8-19	M14x1,5 8L	8	6	8	21.5	17.5	35.5	16.5	27	22
RK-1710-RMDD-L	R3/8-19	M16x1,5 10L	10	8	8	21.5	18	35.5	16.5	27	22
RK-1712-RMDD-L	R3/8-19	M18x1,5 12L	12	10	8	21.5	18	35.5	16.5	27	22
RK-2110-RMDD-L	R1/2-14	M16x1,5 10L	10	8	11	27	21	45	21.5	32	27
RK-2112-RMDD-L	R1/2-14	M18x1,5 12L	12	10	11	27	21	45	21.5	32	27
RK-2115-RMDD-L	R1/2-14	M22x1,5 15L	15	12	11	27	21.5	45	21.5	32	27
RK-2118-RMDD-L	R1/2-14	M26x1,5 18L	18	15	11	27	21	45	21.5	32	27
RK-2618-RMDD-L	R3/4-14	M26x1,5 18L	18	15	15	32.5	26.5	53	24	41	32
RK-2622-RMDD-L	R3/4-14	M30x2 22L	22	19	15	32.5	27.5	53	24	41	32
RK-3328-RMDD-L	R1"-11	M36x2 28L	28	24	17.5	39.5	32	63	30.5	50	41
RK-4235-RMDD-L	R1"1/4-11	M45x2 35L	35	30	24.5	49	36	74	35.5	60	50
RK-4842-RMDD-L	R1"1/2-11	M52x2 42L	42	36	30	56	40.5	87	42.5	65	55



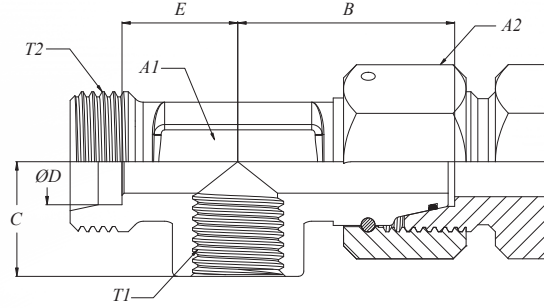
**BSP - METRİK DÖNER DİRSEK**  
BSP - METRIC BANJO ELBOW



**BSP - METRİK DÖNER DİRSEK**  
METRIC 24° CONE - MALE BSP STUD BANJO ELBOW

MALZEME KODU MATERIAL CODE	DIŞ ÖLÇÜSÜ THREAD SIZE T1	DIŞ ÖLÇÜSÜ THREAD SIZE T2	ØD	ØD1	ØD2	ØD3	B	C	E	A1	A2
<b>STİPİ / S TYPE</b>											
RK-1306-RMDD-S	R1/4-19	M14x1,5 6S	6	4	5	17,5	16,5	29,5	14	22	19
RK-1308-RMDD-S	R1/4-19	M16x1,5 8S	8	5	5	17,5	16,5	29,5	14	22	19
RK-1710-RMDD-S	R3/8-19	M18x1,5 10S	10	7	8	21,5	18,5	35,5	16,5	27	22
RK-1712-RMDD-S	R3/8-19	M20x1,5 12S	12	8	8	21,5	19	35,5	16,5	27	22
RK-2112-RMDD-S	R1/2-14	M20x1,5 12S	12	8	11	27	21	45	21,5	32	27
RK-2116-RMDD-S	R1/2-14	M24x1,5 16S	16	12	11	27	22	45	21,5	32	27
RK-2120-RMDD-S	R1/2-14	M30x2 20S	20	16	11	27	23	46	23	35	27
RK-2616-RMDD-S	R3/4-14	M24x1,5 16S	16	12	15	32,5	27	53	24	41	32
RK-2620-RMDD-S	R3/4-14	M30x2 20S	20	16	15	32,5	26,5	53	24	41	32
RK-3320-RMDD-S	R1"-11	M30x2 20S	20	16	17,5	39,5	31,5	63	30,5	50	41
RK-3325-RMDD-S	R1"-11	M36x2 25S	25	20	17,5	39,5	31,5	63	30,5	50	41
RK-4230-RMDD-S	R1"1/4-11	M42x2 30S	30	25	24,5	49	37	74	35,5	60	50
RK-4838-RMDD-S	R1"1/2-11	M52x2 38S	38	32	30	56	39	87	42,5	65	55

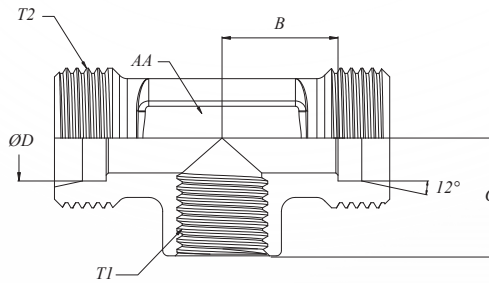
**BSP - METRİK OPSİYONEL TERS TE**  
BSP FEMALE- METRIC SWIVEL RUN TEE



**BSP - METRİK OPSİYONEL TERS TE**  
METRIC MALE 24° CONE - FEMALE BSP THREAD - METRIC SWIVEL RUN TEE

MALZEME KODU MATERIAL CODE	DIŞ ÖLÇÜSÜ THREAD SIZE T1	DIŞ ÖLÇÜSÜ THREAD SIZE T2	DIŞ ÖLÇÜSÜ THREAD SIZE T2	B	E	C	ØD	A1	A2
RK-1316-RMTOPTOP	R1/4-19	M24x1,5 16S	M24x1,5 16S	36.5	24.5	21.5	16	24	30
RK-1320-RMTOPTOP	R1/4-19	M30x2 20S	M30x2 20S	44.5	26.5	23	20	27	36
RK-1716-RMTOPTOP	R3/8-19	M24x1,5 16S	M24x1,5 16S	36.5	24.5	21.5	16	24	30
RK-1720-RMTOPTOP	R3/8-19	M30x2 20S	M30x2 20S	44.5	26.5	23	20	27	36
RK-2125-RMTOPTOP	R1/2-21	M36x2 25S	M36x2 25S	50	30	29	25	36	46

**BSP - METRİK OPSİYONEL ERKEK TE**  
BSP FEMALE- MALE METRIC TEE



**BSP - METRİK OPSİYONEL ERKEK TE**  
METRIC MALE 24° CONE - FEMALE BSP THREAD - METRIC MALE 24° CONE TEE

MALZEME KODU MATERIAL CODE	DIŞ ÖLÇÜSÜ THREAD SIZE T1	DIŞ ÖLÇÜSÜ THREAD SIZE T2	DIŞ ÖLÇÜSÜ THREAD SIZE T2	B	C	ØD	AA
RK-1316-RMEOPTOP	R1/4-19	M24x1,5 16S	M24x1,5 16S	24.5	21.5	16	24
RK-1320-RMEOPTOP	R1/4-19	M30x2 20S	M30x2 20S	26.5	23	20	27
RK-1716-RMEOPTOP	R3/8-19	M24x1,5 16S	M24x1,5 16S	24.5	21.5	16	24
RK-1720-RMEOPTOP	R3/8-19	M30x2 20S	M30x2 20S	26.5	23	20	27
RK-2125-RMEOPTOP	R1/2-21	M36x2 25S	M36x2 25S	30	29	25	36











**"Kalitemiz standart..."**





 **REKORSAN**<sup>®</sup>  
HYDRAULIC FITTING PRODUCTION

